

# HC-M-B06-MF-H - Module carrier frame



1417403

<https://www.phoenixcontact.com/us/products/1417403>

Please be informed that the data shown in this PDF document is generated from our online catalog. Please find the complete data in the user documentation. Our general terms of use for downloads are valid.



Module carrier frame, size: B6, type : for the sleeve side (A, B, C, ...), 4 mm<sup>2</sup> ... 6 mm<sup>2</sup>, application: Module carrier frame

## Commercial data

Item number	1417403
Packing unit	1 pc
Note	Made to order (non-returnable)
Sales key	BF62
Product key	AF7ACD
GTIN	4055626112787
Weight per piece (including packing)	55.6 g
Weight per piece (excluding packing)	51.861 g
Customs tariff number	85389099
Country of origin	CN

# HC-M-B06-MF-H - Module carrier frame



1417403

<https://www.phoenixcontact.com/us/products/1417403>

## Technical data

### Product properties

Product type	Module carrier frame
Series	HC-M-B
	HC-M-02
	HC-M-03
	HC-M-03/04
	HC-M-04
	HC-M-05
	HC-M-06
	HC-M-08
	HC-M-08-GBIT
	HC-M-12
	HC-M-17
	HC-M-20
	HC-M-25
	HC-M-DSUB
	HC-M-EMV
	HC-M-HV
	HC-M-HS
HC-M-00	
Application	Module carrier frame
Type	B6
Number of module slots	2

### Connection data

#### Conductor connection

Conductor cross-section	4 mm <sup>2</sup> ... 6 mm <sup>2</sup> (for PE conductor - power side)
	1 mm <sup>2</sup> ... 2.5 mm <sup>2</sup> (for PE conductor control side)
Connection cross section AWG	12 ... 10 (for PE conductor - power side)
	18 ... 14 (for PE conductor control side)
Tightening torque	0.5 Nm ... 0.8 Nm (Mounting screws for mounting in the HEAVYCON housing)

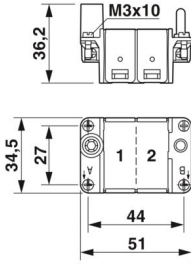
### Dimensions

# HC-M-B06-MF-H - Module carrier frame



1417403

<https://www.phoenixcontact.com/us/products/1417403>

Dimensional drawing	
Width	34.5 mm
Height	36.2 mm
Length	51 mm

## Material specifications

Contact carrier material	Die-cast zinc alloy
--------------------------	---------------------

## Mechanical properties

### Mechanical data

Insertion/withdrawal cycles	≥ 500
-----------------------------	-------

## Environmental and real-life conditions

### Ambient conditions

Ambient temperature (operation)	-40 °C ... 125 °C
---------------------------------	-------------------

## Mounting

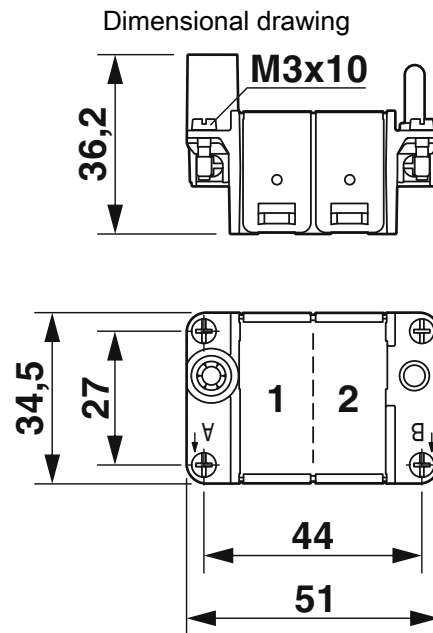
Assembly note	HC-MHR-PE16 ( 1636981) for PE connection extension to 16 mm <sup>2</sup> . Use wire end protection for PE wires (PE connection screws without wire protection) for housings without lateral connectors, max. thread length of the screw connection 12 mm
---------------	---

# HC-M-B06-MF-H - Module carrier frame

1417403

<https://www.phoenixcontact.com/us/products/1417403>

## Drawings



Dimensional drawing

# HC-M-B06-MF-H - Module carrier frame



1417403

<https://www.phoenixcontact.com/us/products/1417403>

## Classifications

### ECLASS

ECLASS-13.0	27440206
ECLASS-15.0	27440206

### ETIM

ETIM 9.0	EC002312
----------	----------

### UNSPSC

UNSPSC 21.0	31261500
-------------	----------

# HC-M-B06-MF-H - Module carrier frame



1417403

<https://www.phoenixcontact.com/us/products/1417403>

## Environmental product compliance

### EU RoHS

Fulfills EU RoHS substance requirements	Yes
Exemption	6(c)

### China RoHS

Environment friendly use period (EFUP)	EFUP-50
	An article-related China RoHS declaration table can be found in the download area for the respective article under "Manufacturer declaration". For all articles with EFUP-E, no China RoHS declaration table issued and required.

### EU REACH SVHC

REACH candidate substance (CAS No.)	Lead(CAS: 7439-92-1)
-------------------------------------	----------------------

Phoenix Contact 2026 © - all rights reserved  
<https://www.phoenixcontact.com>

Phoenix Contact USA  
586 Fulling Mill Road  
Middletown, PA 17057, United States  
(+717) 944-1300  
[info@phoenixcon.com](mailto:info@phoenixcon.com)