

# HC-M-04-KT-M - Contact insert module



1417371

<https://www.phoenixcontact.com/us/products/1417371>

Please be informed that the data shown in this PDF document is generated from our online catalog. Please find the complete data in the user documentation. Our general terms of use for downloads are valid.



Contact insert module, number of positions: 4xKOAX, power contacts: 0, control contacts: 4, Pin, Soldering and crimp connection, 48 V, 2 A, 0.2 mm<sup>2</sup> ... 0.8 mm<sup>2</sup>, application: Signal

## Commercial data

Item number	1417371
Packing unit	5 pc
Minimum order quantity	1 pc
Sales key	BF62
Product key	AF7ACE
GTIN	4055626112534
Weight per piece (including packing)	6.45 g
Weight per piece (excluding packing)	6.42 g
Customs tariff number	85389099
Country of origin	PL

# HC-M-04-KT-M - Contact insert module



1417371

<https://www.phoenixcontact.com/us/products/1417371>

## Technical data

### Notes

General	For HEAVYCON housings type B6 to B48, HC-M-B...MF... module carrier frame required, crimp contacts HC-M-04-KOAX... (crimp contacts not included in the scope of delivery)
General	Connectors may be operated only when there is no load/voltage.
General	It is imperative that guide pins (HC-CST) and sockets (HC-CBU) are used to prevent tip collision due to misalignment.
General	The designations "female" and "male" are used differently for coaxial contacts than for single-position contacts. The correct accessories can be found in the e-shop.

### Product properties

Product type	Coaxial insert, modular
Series	HC-M-04-KOAX
Application	Signal
Number of positions	4
Connection profile	4xKOAX
Contact numbering	1 - 4
No. of cable outlets	4
Number of module slots	1
No. of power contacts	0
No. of control contacts	4
Contact material type	turned

### Insulation characteristics

Overvoltage category	III
Degree of pollution	3

### Electrical properties

Rated voltage (III/3)	48 V
Rated surge voltage	0.8 kV
Rated current	1.5 A
Contact resistance, phase conductor	$\leq 3 \text{ m}\Omega$
Contact resistance, inner conductor	$\leq 10 \text{ m}\Omega$
Insulation resistance	$\geq 10 \text{ G}\Omega$
Transmission characteristics (category)	shielded data cable

### Connection data

#### Connection technology

Connection technology	Soldering and crimp connection
-----------------------	--------------------------------

#### Conductor connection

Conductor cross-section	0.2 mm <sup>2</sup> ... 0.8 mm <sup>2</sup>
-------------------------	---------------------------------------------

# HC-M-04-KT-M - Contact insert module

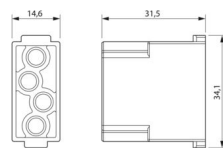


1417371

<https://www.phoenixcontact.com/us/products/1417371>

Connection cross section AWG	24 ... 18
Stripping length of the individual wire	2.5 mm ±0.5 mm

## Dimensions

Dimensional drawing	
Width	34.2 mm
Height	31.5 mm
Length	14.6 mm

## Mechanical characteristics

Contact diameter	4.8 mm
------------------	--------

## Material specifications

Flammability rating according to UL 94	V0
Contact material	Copper alloy
Contact surface material	Au
Contact carrier material	PC
Standards/regulations	PC

## Cable/line

Stripping length of the individual wire	2.5 mm ±0.5 mm
-----------------------------------------	----------------

## Mechanical properties

### Mechanical data

Insertion/withdrawal cycles	≥ 500
-----------------------------	-------

## Environmental and real-life conditions

### Ambient conditions

Ambient temperature (operation)	-40 °C ... 125 °C
---------------------------------	-------------------

## Standards and regulations

### Testing

Standards/regulations	PC: Fire protection in rail vehicles - requirement sets R22, R23, and R24 acc. to DIN EN 45545-2 (Risk level HL1 - HL3)
-----------------------	-------------------------------------------------------------------------------------------------------------------------

## Mounting

Assembly note	To ensure correct use, installation in housing with IP54 protection or better is required For HC-M-04-BU-KOAX... contacts
---------------	------------------------------------------------------------------------------------------------------------------------------

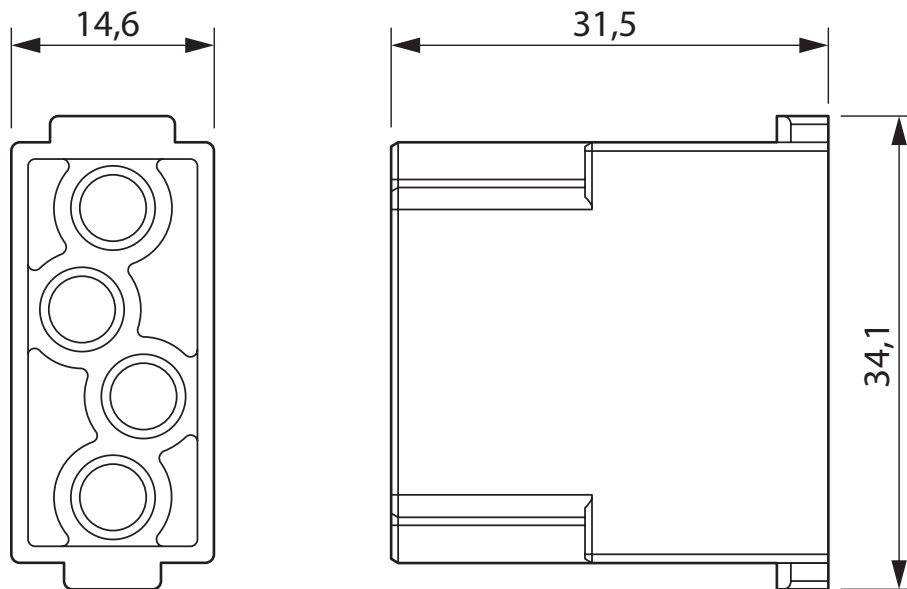
# HC-M-04-KT-M - Contact insert module

1417371

<https://www.phoenixcontact.com/us/products/1417371>

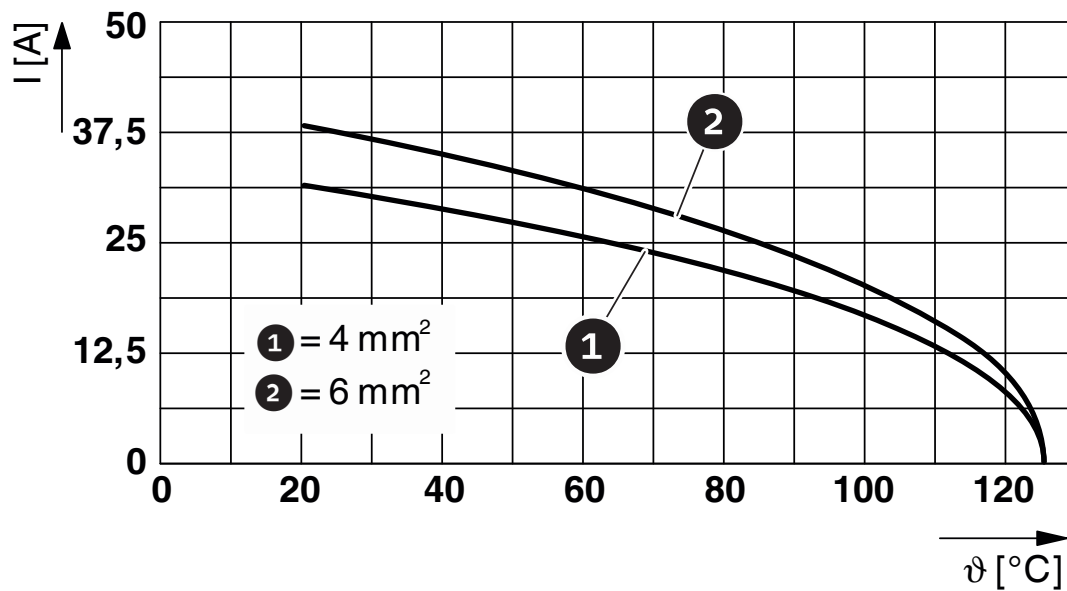
## Drawings

Dimensional drawing



Male insert

Diagram



Derating diagram

# HC-M-04-KT-M - Contact insert module



1417371

<https://www.phoenixcontact.com/us/products/1417371>

## Approvals

🔗 To download certificates, visit the product detail page: <https://www.phoenixcontact.com/us/products/1417371>

**DNV**

Approval ID: TAE000037S



**CSA**

Approval ID: 158887



**UL Recognized**

Approval ID: E118976

# HC-M-04-KT-M - Contact insert module



1417371

<https://www.phoenixcontact.com/us/products/1417371>

## Classifications

### ECLASS

ECLASS-13.0	27440217
ECLASS-15.0	27440217

### ETIM

ETIM 10.0	EC000438
-----------	----------

### UNSPSC

UNSPSC 21.0	39121400
-------------	----------

# HC-M-04-KT-M - Contact insert module



1417371

<https://www.phoenixcontact.com/us/products/1417371>

## Environmental product compliance

### EU RoHS

Fulfills EU RoHS substance requirements	Yes, No exemptions
-----------------------------------------	--------------------

### China RoHS

Environment friendly use period (EFUP)	EFUP-E
	No hazardous substances above the limits

### EU REACH SVHC

REACH candidate substance (CAS No.)	No substance above 0.1 wt%
-------------------------------------	----------------------------

### EF3.1 Climate Change

CO2e kg	0.053 kg CO2e
---------	---------------

Phoenix Contact 2026 © - all rights reserved  
<https://www.phoenixcontact.com>

Phoenix Contact USA  
586 Fulling Mill Road  
Middletown, PA 17057, United States  
(+717) 944-1300  
[info@phoenixcon.com](mailto:info@phoenixcon.com)