

HC-M-DSUB 09-CT-M - Contact insert module



1417309

<https://www.phoenixcontact.com/us/products/1417309>

Please be informed that the data shown in this PDF document is generated from our online catalog. Please find the complete data in the user documentation. Our general terms of use for downloads are valid.



Contact insert module, number of positions: 9, type : D-SUB 9, Pin, Crimp connection, 48 V, 1 A, 0.08 mm² ... 0.5 mm², application: Data, without crimp contacts

Commercial data

Item number	1417309
Packing unit	1 pc
Minimum order quantity	1 pc
Sales key	BF62
Product key	AF7ACE
GTIN	4055626112510
Weight per piece (including packing)	35.2 g
Weight per piece (excluding packing)	35.2 g
Customs tariff number	85389099
Country of origin	CN

HC-M-DSUB 09-CT-M - Contact insert module



1417309

<https://www.phoenixcontact.com/us/products/1417309>

Technical data

Mounting

Assembly note	To ensure correct use, installation in housing with IP54 protection or better is required
	Pin 8 = B Pin 3 = A

Product properties

Product type	Modular contact insert
Series	HC-M-DSUB-C
Application	Data
Number of positions	9
Connection profile	9
Contact numbering	1 - 9
No. of cable outlets	1
Number of module slots	1
Contact material type	turned

Insulation characteristics

Overvoltage category	III
Degree of pollution	3

Connection data

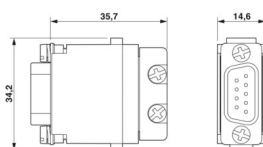
Connection technology

Connection technology	Crimp connection
Clamping range of the strain relief clip	4.00 mm ... 7.00 mm

Conductor connection

Conductor cross-section	0.08 mm ² ... 0.5 mm ²
Connection cross section AWG	28 ... 20
Stripping length of the individual wire	4.2 mm

Dimensions

Dimensional drawing	
Width	34.2 mm
Height	35.2 mm
Length	14.6 mm
Clamping range of the strain relief clip	4.00 mm ... 7.00 mm

Mechanical characteristics

HC-M-DSUB 09-CT-M - Contact insert module



1417309

<https://www.phoenixcontact.com/us/products/1417309>

Minimum housing height	52 mm
Contact diameter	1 mm

Electrical properties

Rated voltage (III/3)	48 V
Rated surge voltage	0.8 kV
Rated current	1 A
Transmission characteristics (category)	shielded data cable

Mechanical properties

Mechanical data

Insertion/withdrawal cycles	≥ 500
-----------------------------	-------

Material specifications

Material Line conductor	Zinc alloy
Flammability rating according to UL 94	V0
Contact material	Copper alloy
Contact surface material	Ag
Contact carrier material	PC
Standards/regulations	PC PC

Environmental and real-life conditions

Ambient conditions

Ambient temperature (operation)	-40 °C ... 125 °C
---------------------------------	-------------------

Standards and regulations

Testing

Standards/regulations	PC: Fire protection in rail vehicles - requirement set R22 acc. to DIN EN 45545-2 (Risk level HL1 - HL2)
	PC: Fire protection in rail vehicles - requirement set R23 acc. to DIN EN 45545-2 (Risk level HL1 - HL3)

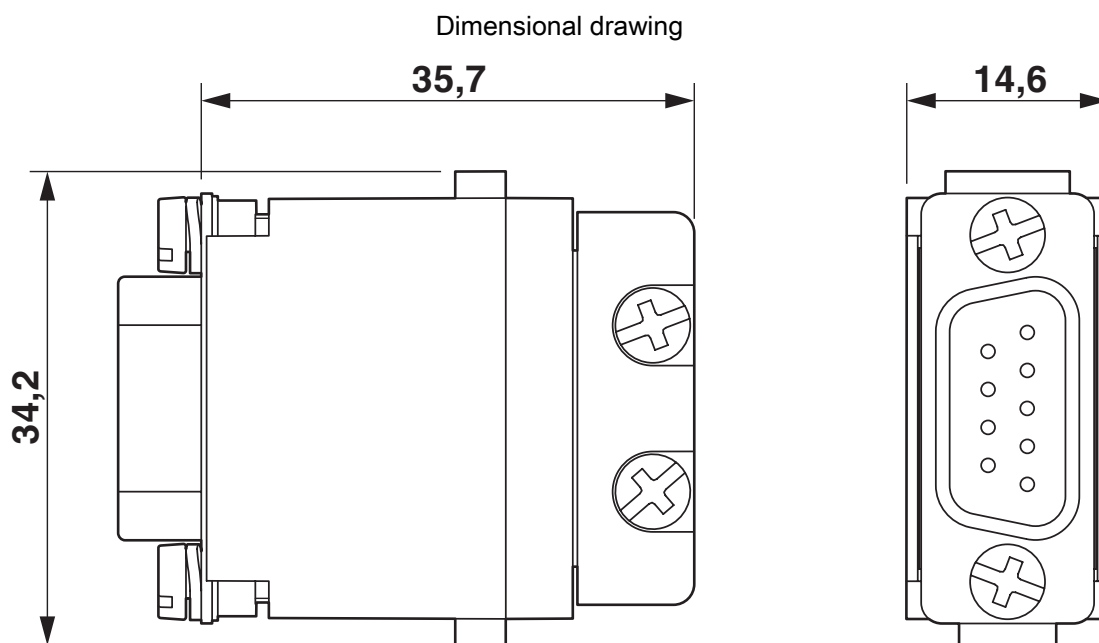
HC-M-DSUB 09-CT-M - Contact insert module

1417309

<https://www.phoenixcontact.com/us/products/1417309>



Drawings



Male insert

Dimensional drawing



Stripping length specifications; pin assignment. Cable to be used: Order No. 14164457

HC-M-DSUB 09-CT-M - Contact insert module



1417309

<https://www.phoenixcontact.com/us/products/1417309>

Approvals

🔗 To download certificates, visit the product detail page: <https://www.phoenixcontact.com/us/products/1417309>

DNV

Approval ID: TAE000037S

HC-M-DSUB 09-CT-M - Contact insert module



1417309

<https://www.phoenixcontact.com/us/products/1417309>

Classifications

ECLASS

ECLASS-13.0	27440218
ECLASS-15.0	27440218

ETIM

ETIM 10.0	EC000438
-----------	----------

UNSPSC

UNSPSC 21.0	39121400
-------------	----------

HC-M-DSUB 09-CT-M - Contact insert module



1417309

<https://www.phoenixcontact.com/us/products/1417309>

Environmental product compliance

EU RoHS

Fulfills EU RoHS substance requirements	Yes, No exemptions
---	--------------------

China RoHS

Environment friendly use period (EFUP)	EFUP-E
	No hazardous substances above the limits

EU REACH SVHC

REACH candidate substance (CAS No.)	No substance above 0.1 wt%
-------------------------------------	----------------------------

Phoenix Contact 2026 © - all rights reserved
<https://www.phoenixcontact.com>

Phoenix Contact USA
586 Fulling Mill Road
Middletown, PA 17057, United States
(+717) 944-1300
info@phoenixcon.com