

# SAC-4P- 5,0-U50/MINFS - Power cable



1417129

<https://www.phoenixcontact.com/us/products/1417129>

Please be informed that the data shown in this PDF document is generated from our online catalog. Please find the complete data in the user documentation. Our general terms of use for downloads are valid.



Power cable, 4-position, PVC, black, free cable end, on Socket straight 7/8"-16UNF, coding: A, cable length: 5 m

## Your advantages

- Easy and safe: 100 % electrically tested plug-in components

## Commercial data

Item number	1417129
Packing unit	1 pc
Minimum order quantity	1 pc
Note	Made to order (non-returnable)
Sales key	BF14
Product key	AF1IMC
GTIN	4055626222646
Weight per piece (including packing)	22.22 g
Weight per piece (excluding packing)	22.22 g
Customs tariff number	85444290
Country of origin	MX

# SAC-4P- 5,0-U50/MINFS - Power cable



1417129

<https://www.phoenixcontact.com/us/products/1417129>

## Technical data

### Product properties

Product type	Sensor/actuator cable
Application	Standard
Number of positions	4
Shielded	no
Coding	A

### Material specifications

Flammability rating according to UL 94	V0
Material of grip body	PVC
Contact material	CuZn
Contact surface material	Au
Contact carrier material	PVC
Material for screw connection	Anodized aluminum

### Electrical properties

Insulation resistance	$\geq 100 \text{ M}\Omega$
Nominal voltage $U_N$	600 V AC/DC (UL rating)
	50 V AC/DC (IEC rating)
Nominal current $I_N$	24 A (UL 2238)
	7 A (UL 2237)

### Mechanical properties

#### Mechanical data

Insertion/withdrawal cycles	100
-----------------------------	-----

### Signaling

Status display	no
Status display present	no

### Connection data

#### Conductor connection

Tightening torque	10 lb <sub>F</sub> ·in.
	1.12 Nm

### Connector

#### Connection 1

Type	free cable end
------	----------------

#### Connection 2

Type	Socket straight 7/8"-16UNF
------	----------------------------

# SAC-4P- 5,0-U50/MINFS - Power cable



1417129

<https://www.phoenixcontact.com/us/products/1417129>

Number of positions	4
Coding type	A

## Cable/line

Cable length	5 m
--------------	-----

### TC-ER/600V, STOOW [U50]

Number of positions	4
Shielded	no
Cable type	TC-ER/600V, STOOW [U50]
Conductor structure, voltage supply	104 x AWG 34
Conductor cross-section	4 x AWG 14
External cable diameter	14.50 mm
Outer sheath, material	PVC
External sheath, color	black
Conductor material	Bare Cu litz wires
Material wire insulation	PVC
Single wire, color	black 1, white 2, red 3, green 4
Overall twist	4 wires, twisted
Nominal voltage, cable	600 V
Flame resistance	UL 1581, FT2
Resistance to oil	Premium oil resistance (jacket and conductor)
Other resistance	UV resistant (720 h) (UL 2556)
Ambient temperature (operation)	-40 °C ... 105 °C (cable, fixed installation) -30 °C ... 105 °C (Cable, flexible installation)

## Environmental and real-life conditions

### Ambient conditions

Degree of protection	IP68
Ambient temperature (operation) (male connector/female connector)	-20 °C ... 105 °C (Plug / socket)
Ambient temperature (operation)	-20 °C ... 105 °C (Plug / socket)
Ambient temperature (operation) (Cable, fixed installation)	-40 °C ... 105 °C (cable, fixed installation)
Ambient temperature (operation) (Cable, flexible installation)	-30 °C ... 105 °C (Cable, flexible installation)

## Standards and regulations

Standards/specifications	UL 2237, UL 2238
--------------------------	------------------

# SAC-4P- 5,0-U50/MINFS - Power cable



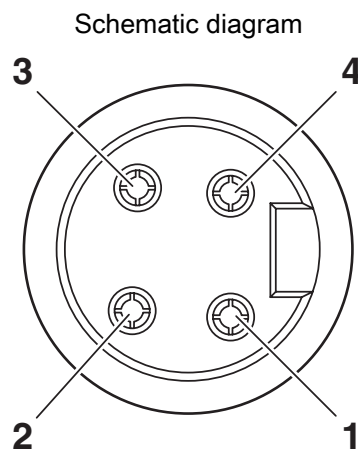
1417129

<https://www.phoenixcontact.com/us/products/1417129>

## Drawings



7/8"-16UNF socket, straight



Pin assignment, socket, 7/8"-16UNF, 4-pos., view of female side

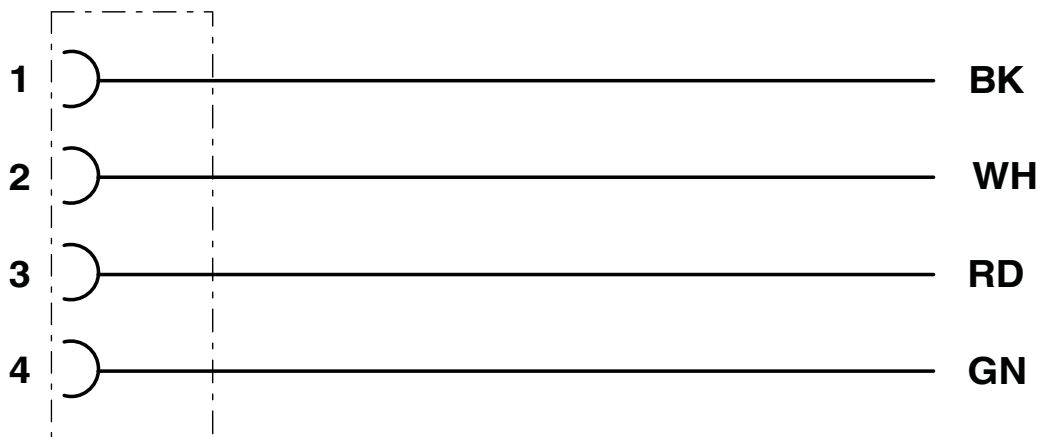
# SAC-4P- 5,0-U50/MINFS - Power cable



1417129

<https://www.phoenixcontact.com/us/products/1417129>

Circuit diagram



Contact assignment of 7/8" socket

# SAC-4P- 5,0-U50/MINFS - Power cable



1417129

<https://www.phoenixcontact.com/us/products/1417129>

## Approvals

To download certificates, visit the product detail page: <https://www.phoenixcontact.com/us/products/1417129>



**UL Listed**

Approval ID: FILE E 221474



**cUL Listed**

Approval ID: FILE E 221474

# SAC-4P- 5,0-U50/MINFS - Power cable



1417129

<https://www.phoenixcontact.com/us/products/1417129>

## Classifications

### ECLASS

ECLASS-13.0	27060311
ECLASS-15.0	27060311

### ETIM

ETIM 10.0	EC001855
-----------	----------

### UNSPSC

UNSPSC 21.0	31251501
-------------	----------

# SAC-4P- 5,0-U50/MINFS - Power cable



1417129

<https://www.phoenixcontact.com/us/products/1417129>

## Environmental product compliance

### EU RoHS

Fulfills EU RoHS substance requirements	Yes, No exemptions
---	--------------------

### China RoHS

Environment friendly use period (EFUP)	EFUP-E
	No hazardous substances above the limits

### EU REACH SVHC

REACH candidate substance (CAS No.)	No substance above 0.1 wt%
-------------------------------------	----------------------------

Phoenix Contact 2026 © - all rights reserved  
<https://www.phoenixcontact.com>

Phoenix Contact USA  
586 Fulling Mill Road  
Middletown, PA 17057, United States  
(+717) 944-1300  
[info@phoenixcon.com](mailto:info@phoenixcon.com)