

# VS-08-RJ45-5-Q/IP20 TIA568A - RJ45 connector



1417016

<https://www.phoenixcontact.com/us/products/1417016>

Please be informed that the data shown in this PDF document is generated from our online catalog. Please find the complete data in the user documentation. Our general terms of use for downloads are valid.



RJ45 connector, degree of protection: IP20, number of positions: 8, 1 Gbps, CAT5 (IEC 11801:2002), material: PA, connection method: IDC fast connection, connection cross section: AWG 26- 23, cable outlet: straight, color: traffic gray A RAL 7042

## Commercial data

Item number	1417016
Packing unit	1 pc
Note	Made to order (non-returnable)
Sales key	NULL
Product key	ABNAAD
GTIN	4046356500548
Weight per piece (including packing)	10.5 g
Weight per piece (excluding packing)	10.5 g
Customs tariff number	85366990
Country of origin	CH

# VS-08-RJ45-5-Q/IP20 TIA568A - RJ45 connector



1417016

<https://www.phoenixcontact.com/us/products/1417016>

## Technical data

### Product properties

Product type	Data connector (cable side)
Number of positions	8
Connection profile	RJ45
No. of cable outlets	1
Cable outlet	straight

### Insulation characteristics

Overvoltage category	I
Degree of pollution	1

### Electrical properties

Rated voltage (III/3)	72 V (DC)
Rated current	1.75 A
Contact resistance	0.001 $\Omega$ (Wire – IDC)
	0.005 $\Omega$ (Litz wires – IDC)
Transmission speed	1 Gbps
Transmission characteristics (category)	CAT5 (IEC 11801:2002)

### Connection data

#### Connection technology

Connection method	IDC fast connection
Connection cross section AWG	26 ... 23 (solid)
	26 ... 23 (flexible)
Conductor cross-section	0.13 mm <sup>2</sup> ... 0.36 mm <sup>2</sup> (solid)
	0.14 mm <sup>2</sup> ... 0.36 mm <sup>2</sup> (flexible)

### Dimensions

Width	14 mm
Height	14.6 mm
Length	59 mm

### Material specifications

Color	traffic gray A RAL 7042
Material	Plastic
Flammability rating according to UL 94	V0
Housing material	PA
Contact material	CuSn
Contact surface material	Au/Ni

### Cable/line

External cable diameter	4.5 mm ... 8 mm
-------------------------	-----------------

# VS-08-RJ45-5-Q/IP20 TIA568A - RJ45 connector

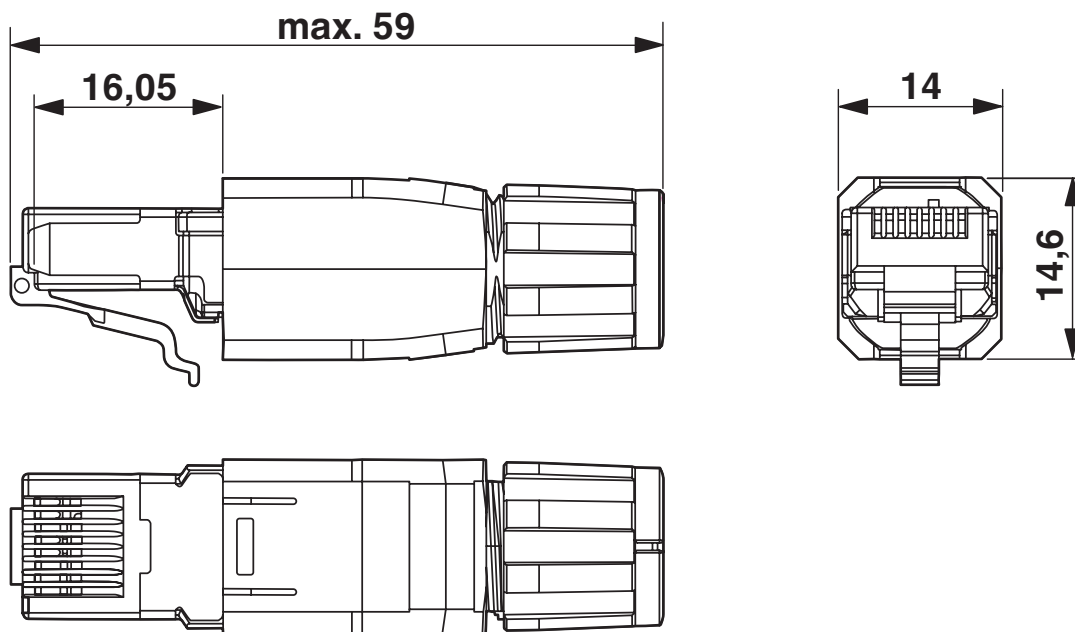


1417016

<https://www.phoenixcontact.com/us/products/1417016>

## Drawings

### Dimensional drawing



RJ45 connector, IP20

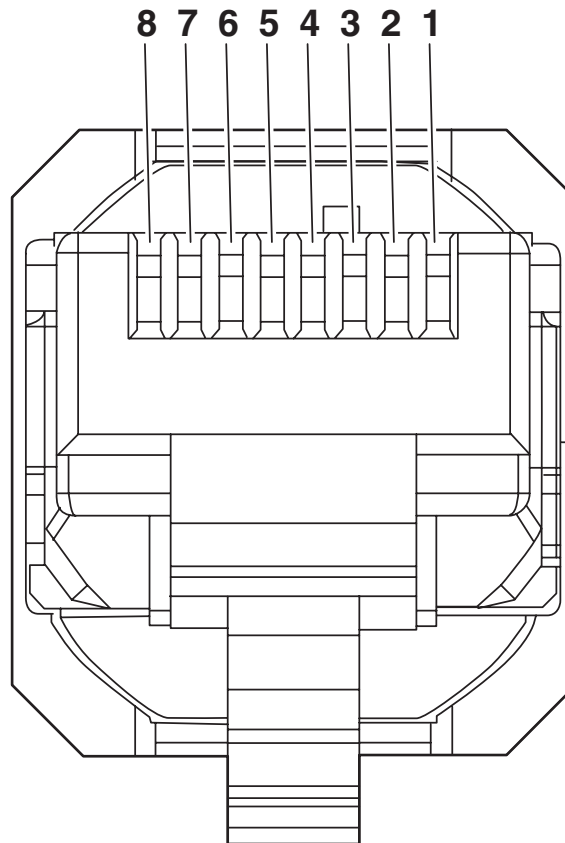
# VS-08-RJ45-5-Q/IP20 TIA568A - RJ45 connector

1417016

<https://www.phoenixcontact.com/us/products/1417016>



Schematic diagram



# VS-08-RJ45-5-Q/IP20 TIA568A - RJ45 connector



1417016

<https://www.phoenixcontact.com/us/products/1417016>

## Classifications

### ECLASS

ECLASS-13.0	27440114
ECLASS-15.0	27440114

### UNSPSC

UNSPSC 21.0	39121409
-------------	----------

# VS-08-RJ45-5-Q/IP20 TIA568A - RJ45 connector



1417016

<https://www.phoenixcontact.com/us/products/1417016>

## Environmental product compliance

### EU RoHS

Fulfills EU RoHS substance requirements	Yes, No exemptions
---	--------------------

### China RoHS

Environment friendly use period (EFUP)	EFUP-E
	No hazardous substances above the limits

### EU REACH SVHC

REACH candidate substance (CAS No.)	No substance above 0.1 wt%
-------------------------------------	----------------------------

Phoenix Contact 2026 © - all rights reserved  
<https://www.phoenixcontact.com>

Phoenix Contact USA  
586 Fulling Mill Road  
Middletown, PA 17057, United States  
(+717) 944-1300  
[info@phoenixcon.com](mailto:info@phoenixcon.com)