

SAC-6P-MINMS/ 2,0-547/MINFS - Power cable



1416678

<https://www.phoenixcontact.com/us/products/1416678>

Please be informed that the data shown in this PDF document is generated from our online catalog. Please find the complete data in the user documentation. Our general terms of use for downloads are valid.



Power cable, 6-position, PVC, yellow, Plug straight 7/8"-16UNF, on Socket straight 7/8"-16UNF, cable length: 2 m

Your advantages

- Easy and safe: 100 % electrically tested plug-in components

Commercial data

| | |
|--------------------------------------|--------------------------------|
| Item number | 1416678 |
| Packing unit | 1 pc |
| Minimum order quantity | 1 pc |
| Note | Made to order (non-returnable) |
| Sales key | BF14 |
| Product key | AF1IMA |
| GTIN | 4055626222110 |
| Weight per piece (including packing) | 22.22 g |
| Weight per piece (excluding packing) | 22.22 g |
| Customs tariff number | 85444290 |
| Country of origin | MX |

SAC-6P-MINMS/ 2,0-547/MINFS - Power cable



1416678

<https://www.phoenixcontact.com/us/products/1416678>

Technical data

Product properties

| | |
|----------------------|-----------------------|
| Product type | Sensor/actuator cable |
| Application | Standard |
| Number of positions | 6 |
| No. of cable outlets | 1 |
| Shielded | no |
| Coding | A |

Material specifications

| | |
|--|-------------------|
| Flammability rating according to UL 94 | V0 |
| Material of grip body | PVC |
| Contact material | CuZn |
| Contact surface material | Au |
| Contact carrier material | PVC |
| Material for screw connection | Anodized aluminum |

Electrical properties

| | |
|-----------------------|----------------------------|
| Insulation resistance | $\geq 100 \text{ M}\Omega$ |
| Nominal voltage U_N | 300 V AC/DC (UL rating) |
| | 50 V AC/DC (IEC rating) |
| Nominal current I_N | 8 A |

Mechanical properties

Mechanical data

| | |
|-----------------------------|-----|
| Insertion/withdrawal cycles | 100 |
|-----------------------------|-----|

Signaling

| | |
|------------------------|----|
| Status display | no |
| Status display present | no |

Connection data

Conductor connection

| | |
|-------------------|-------------------------|
| Tightening torque | 10 lb _F ·in. |
| | 1.12 Nm |

Connector

Connection 1

| | |
|---------------------|--------------------------|
| Type | Plug straight 7/8"-16UNF |
| Number of positions | 6 |

Connection 2

SAC-6P-MINMS/ 2,0-547/MINFS - Power cable



1416678

<https://www.phoenixcontact.com/us/products/1416678>

| | |
|---------------------|----------------------------|
| Type | Socket straight 7/8"-16UNF |
| Number of positions | 6 |

Cable/line

| | |
|--------------|-----|
| Cable length | 2 m |
|--------------|-----|

CMX-OUTDOOR-CMG [547]

| | |
|-------------------------------------|---|
| Number of positions | 6 |
| Shielded | no |
| Cable type | CMX-OUTDOOR-CMG [547] |
| Conductor structure, voltage supply | 41 x AWG 34 |
| Conductor cross-section | 6 x AWG 18 |
| External cable diameter | 7.1 mm |
| Outer sheath, material | PVC |
| External sheath, color | yellow |
| Conductor material | Bare Cu litz wires |
| Single wire, color | green 1, white 2, blue 3, gray 4, yellow 5, brown 6 |
| Nominal voltage, cable | 300 V |
| Flame resistance | UL 1581, FT4 |
| Other resistance | UV resistant (720 h) (UL 2556) |
| Ambient temperature (operation) | -40 °C ... 105 °C (cable, fixed installation) -30 °C ... 105 °C (Cable, flexible installation) |

Environmental and real-life conditions

Ambient conditions

| | |
|---|--|
| Degree of protection | IP68 |
| Ambient temperature (operation) (male connector/female connector) | -20 °C ... 105 °C (Plug / socket) |
| Ambient temperature (operation) | -20 °C ... 105 °C (Plug / socket) -40 °C ... 105 °C (cable, fixed installation) |
| Ambient temperature (operation) (Cable, flexible installation) | -30 °C ... 105 °C (Cable, flexible installation) |

SAC-6P-MINMS/ 2,0-547/MINFS - Power cable



1416678

<https://www.phoenixcontact.com/us/products/1416678>

Drawings

Dimensional drawing



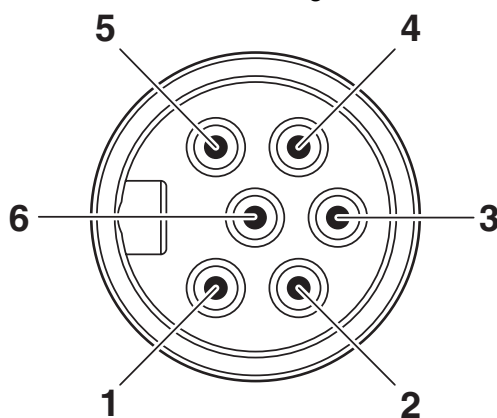
7/8"-16UNF plug, straight

Dimensional drawing



7/8"-16UNF socket, straight

Schematic diagram



Pin assignment, plug, 7/8"-16UNF, 6-pos., view of male side

SAC-6P-MINMS/ 2,0-547/MINFS - Power cable



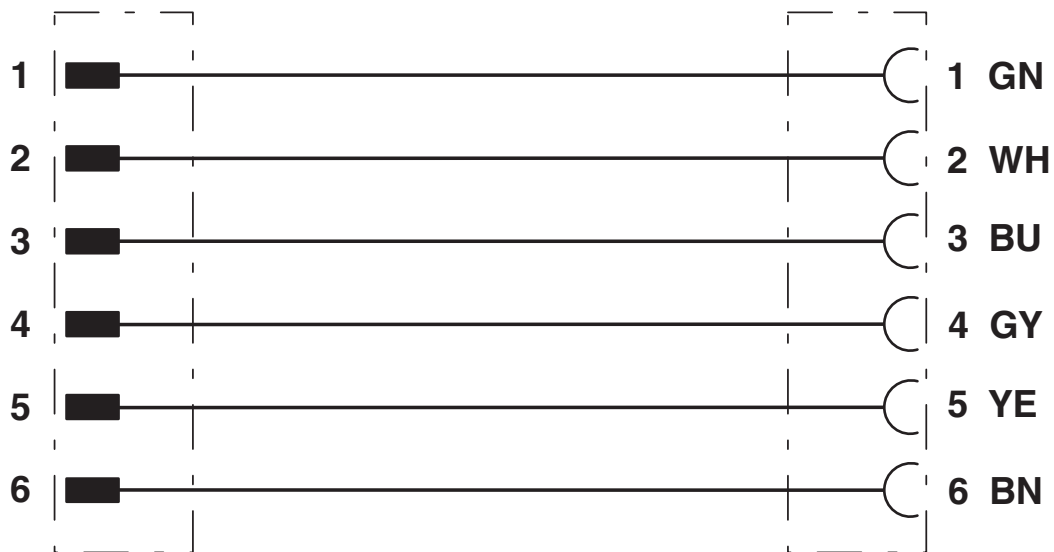
1416678

<https://www.phoenixcontact.com/us/products/1416678>



Pin assignment, socket, 7/8"-16UNF, 6-pos., view of female side

Circuit diagram



Contact assignment of 7/8" plugs/sockets

SAC-6P-MINMS/ 2,0-547/MINFS - Power cable



1416678

<https://www.phoenixcontact.com/us/products/1416678>

Approvals

To download certificates, visit the product detail page: <https://www.phoenixcontact.com/us/products/1416678>



UL Listed

Approval ID: FILE E 221474



cUL Listed

Approval ID: FILE E 221474

SAC-6P-MINMS/ 2,0-547/MINFS - Power cable



1416678

<https://www.phoenixcontact.com/us/products/1416678>

Classifications

ECLASS

| | |
|-------------|----------|
| ECLASS-13.0 | 27060311 |
| ECLASS-15.0 | 27060311 |

ETIM

| | |
|-----------|----------|
| ETIM 10.0 | EC001855 |
|-----------|----------|

UNSPSC

| | |
|-------------|----------|
| UNSPSC 21.0 | 31251501 |
|-------------|----------|

SAC-6P-MINMS/ 2,0-547/MINFS - Power cable



1416678

<https://www.phoenixcontact.com/us/products/1416678>

Environmental product compliance

EU RoHS

| | |
|---|--------------------|
| Fulfills EU RoHS substance requirements | Yes, No exemptions |
|---|--------------------|

China RoHS

| | |
|--|--|
| Environment friendly use period (EFUP) | EFUP-E |
| | No hazardous substances above the limits |

EU REACH SVHC

| | |
|-------------------------------------|----------------------------|
| REACH candidate substance (CAS No.) | No substance above 0.1 wt% |
|-------------------------------------|----------------------------|

Phoenix Contact 2026 © - all rights reserved
<https://www.phoenixcontact.com>

Phoenix Contact USA
586 Fulling Mill Road
Middletown, PA 17057, United States
(+717) 944-1300
info@phoenixcon.com