

SAC-5P-MINMR/ 2,0-U40/MINFR - Bus system cable



1416670

<https://www.phoenixcontact.com/us/products/1416670>

Please be informed that the data shown in this PDF document is generated from our online catalog. Please find the complete data in the user documentation. Our general terms of use for downloads are valid.



Bus system cable, DeviceNet™, 5-position, PVC, gray, shielded, Plug angled 7/8"-16UNF, on Socket angled 7/8"-16UNF, coding: A, cable length: 2 m

Commercial data

| | |
|--------------------------------------|--------------------------------|
| Item number | 1416670 |
| Packing unit | 1 pc |
| Minimum order quantity | 1 pc |
| Note | Made to order (non-returnable) |
| Sales key | BF14 |
| Product key | AF1IMD |
| GTIN | 4055626219332 |
| Weight per piece (including packing) | 22.22 g |
| Weight per piece (excluding packing) | 22.22 g |
| Customs tariff number | 85444290 |
| Country of origin | MX |

SAC-5P-MINMR/ 2,0-U40/MINFR - Bus system cable



1416670

<https://www.phoenixcontact.com/us/products/1416670>

Technical data

Product properties

| | |
|---------------------|-----------------------|
| Product type | Sensor/actuator cable |
| Application | Standard |
| Number of positions | 5 |
| Shielded | yes |
| Coding | A |

Material specifications

| | |
|--|-------------------|
| Flammability rating according to UL 94 | V-0 |
| Material of grip body | PVC |
| Contact material | CuZn |
| Contact surface material | Au |
| Contact carrier material | PVC |
| Material for screw connection | Anodized aluminum |

Electrical properties

| | |
|-----------------------|----------------------------|
| Insulation resistance | $\geq 100 \text{ M}\Omega$ |
| Nominal voltage U_N | 300 V AC/DC (UL rating) |
| | 50 V AC/DC (IEC rating) |
| Nominal current I_N | 8 A |

Signaling

| | |
|------------------------|----|
| Status display | no |
| Status display present | no |

Connection data

Conductor connection

| | |
|-------------------|-------------------------|
| Tightening torque | 10 lb _f -in. |
| | 1.12 Nm |

Connection assignment

| | |
|---|-------------------------------------|
| Contact Color (signal designation) Contact (optional) | 1 (Plug) SR (shield) 1 (Socket) |
| | 2 (Plug) RD (V+) 2 (Socket) |
| | 3 (Plug) BK (V-) 3 (Socket) |
| | 4 (Plug) WH (CAN_H) 4 (Socket) |
| | 5 (Plug) BU (CAN_L) 5 (Socket) |

Connector

Connection 1

| | |
|---------------------|------------------------|
| Type | Plug angled 7/8"-16UNF |
| Number of positions | 5 |

SAC-5P-MINMR/ 2,0-U40/MINFR - Bus system cable



1416670

<https://www.phoenixcontact.com/us/products/1416670>

Connection 2

| | |
|---------------------|--------------------------|
| Type | Socket angled 7/8"-16UNF |
| Number of positions | 5 |
| Coding type | A |

Cable/line

| | |
|--------------|-----|
| Cable length | 2 m |
|--------------|-----|

DeviceNet trunk cable [U40]

| | |
|-------------------------------------|--|
| Number of positions | 5 |
| Shielded | yes |
| Cable type | DeviceNet trunk cable [U40] |
| Conductor structure signal line | 19 x AWG 30 |
| Conductor structure, voltage supply | 19 x AWG 28 |
| Conductor cross-section | 2 x AWG 18 data cable 2 x AWG 15 power supply 1 x AWG 18 drain wire |
| External cable diameter | 11.43 mm |
| Outer sheath, material | PVC |
| External sheath, color | gray |
| Conductor material | Tin-plated Cu litz wires |
| Material wire insulation | Foamed PE PVC (Power supply) |
| Single wire, color | red-black, blue-white |
| Twisted pairs | 2 cores to the pair |
| Type of pair shielding | Plastic-coated aluminum foil, aluminum side outside |
| Overall twist | 2 pairs around a drain wire in the center to the core |
| Optical shield covering | 65 % |
| Flame resistance | FT4 |
| Resistance to oil | OIL RES I |
| Other resistance | UV resistant (720 h) |
| Ambient temperature (operation) | -20 °C ... 75 °C (cable, fixed installation) -5 °C ... 80 °C (Cable, flexible installation) |

Environmental and real-life conditions

Ambient conditions

| | |
|---|--|
| Degree of protection | IP68 |
| Ambient temperature (operation) (male connector/female connector) | -20 °C ... 75 °C (Plug / socket) |
| Ambient temperature (operation) (Cable, fixed installation) | -20 °C ... 75 °C (cable, fixed installation) |
| Ambient temperature (operation) (Cable, flexible installation) | -5 °C ... 80 °C (Cable, flexible installation) |

Drawings

Dimensional drawing



7/8"-16UNF plug, angled

Dimensional drawing



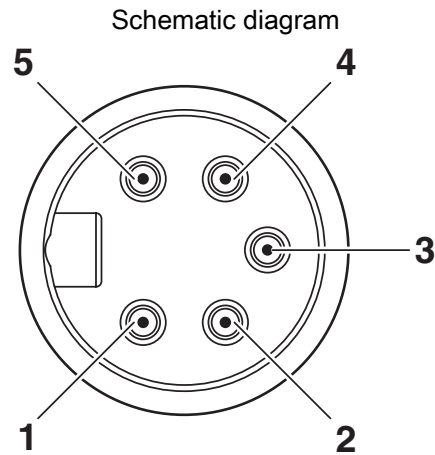
7/8"-16UNF socket, angled

SAC-5P-MINMR/ 2,0-U40/MINFR - Bus system cable

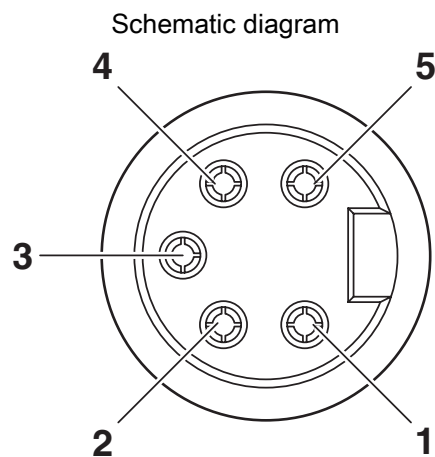


1416670

<https://www.phoenixcontact.com/us/products/1416670>

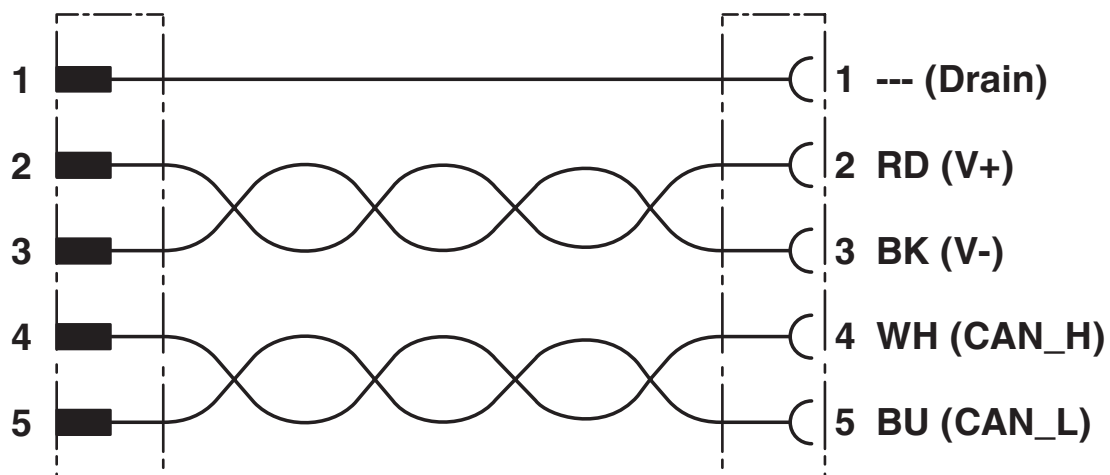


Pin assignment, plug, 7/8"-16UNF, 5-pos., view of male side



Pin assignment, socket, 7/8"-16UNF, 5-pos., view of female side

Circuit diagram



Contact assignment of 7/8" plugs/sockets

SAC-5P-MINMR/ 2,0-U40/MINFR - Bus system cable



1416670

<https://www.phoenixcontact.com/us/products/1416670>

Classifications

ECLASS

| | |
|-------------|----------|
| ECLASS-13.0 | 27060307 |
| ECLASS-15.0 | 27060307 |

ETIM

| | |
|----------|----------|
| ETIM 9.0 | EC001855 |
|----------|----------|

UNSPSC

| | |
|-------------|----------|
| UNSPSC 21.0 | 31251501 |
|-------------|----------|

SAC-5P-MINMR/ 2,0-U40/MINFR - Bus system cable



1416670

<https://www.phoenixcontact.com/us/products/1416670>

Environmental product compliance

EU RoHS

| | |
|---|--------------------|
| Fulfills EU RoHS substance requirements | Yes, No exemptions |
|---|--------------------|

China RoHS

| | |
|--|--|
| Environment friendly use period (EFUP) | EFUP-E |
| | No hazardous substances above the limits |

EU REACH SVHC

| | |
|-------------------------------------|----------------------------|
| REACH candidate substance (CAS No.) | No substance above 0.1 wt% |
|-------------------------------------|----------------------------|

Phoenix Contact 2026 © - all rights reserved
<https://www.phoenixcontact.com>

Phoenix Contact USA
586 Fulling Mill Road
Middletown, PA 17057, United States
(+717) 944-1300
info@phoenixcon.com