

# SAC-6P- 2,0-547/MINFR - Power cable



1416652

<https://www.phoenixcontact.com/us/products/1416652>

Please be informed that the data shown in this PDF document is generated from our online catalog. Please find the complete data in the user documentation. Our general terms of use for downloads are valid.



Power cable, 6-position, PVC, yellow, free cable end, on Socket angled 7/8"-16UNF, coding: A, cable length: 2 m

## Your advantages

- Easy and safe: 100 % electrically tested plug-in components

## Commercial data

Item number	1416652
Packing unit	1 pc
Minimum order quantity	1 pc
Note	Made to order (non-returnable)
Sales key	BF14
Product key	AF1IMA
GTIN	4055626221922
Weight per piece (including packing)	22.22 g
Weight per piece (excluding packing)	22.22 g
Customs tariff number	85444290
Country of origin	MX

# SAC-6P- 2,0-547/MINFR - Power cable



1416652

<https://www.phoenixcontact.com/us/products/1416652>

## Technical data

### Product properties

Product type	Sensor/actuator cable
Application	Standard
Number of positions	6
No. of cable outlets	1
Shielded	no
Coding	A

### Material specifications

Flammability rating according to UL 94	V0
Material of grip body	PVC
Contact material	CuZn
Contact surface material	Au
Contact carrier material	PVC
Material for screw connection	Anodized aluminum

### Electrical properties

Insulation resistance	$\geq 100 \text{ M}\Omega$
Nominal voltage $U_N$	300 V AC/DC (UL rating)
	50 V AC/DC (IEC rating)
Nominal current $I_N$	8 A

### Mechanical properties

#### Mechanical data

Insertion/withdrawal cycles	100
-----------------------------	-----

### Signaling

Status display	no
Status display present	no

### Connection data

#### Conductor connection

Tightening torque	10 lb <sub>F</sub> -in.
	1.12 Nm

### Connector

#### Connection 1

Type	free cable end
------	----------------

#### Connection 2

Type	Socket angled 7/8"-16UNF
------	--------------------------

# SAC-6P- 2,0-547/MINFR - Power cable



1416652

<https://www.phoenixcontact.com/us/products/1416652>

Number of positions	6
Coding type	A

## Cable/line

Cable length	2 m
--------------	-----

### CMX-OUTDOOR-CMG [547]

Number of positions	6
Shielded	no
Cable type	CMX-OUTDOOR-CMG [547]
Conductor structure, voltage supply	41 x AWG 34
Conductor cross-section	6 x AWG 18
External cable diameter	7.1 mm
Outer sheath, material	PVC
External sheath, color	yellow
Conductor material	Bare Cu litz wires
Single wire, color	green 1, white 2, blue 3, gray 4, yellow 5, brown 6
Nominal voltage, cable	300 V
Flame resistance	UL 1581, FT4
Other resistance	UV resistant (720 h) (UL 2556)
Ambient temperature (operation)	-40 °C ... 105 °C (cable, fixed installation) -30 °C ... 105 °C (Cable, flexible installation)

## Environmental and real-life conditions

### Ambient conditions

Degree of protection	IP68
Ambient temperature (operation) (male connector/female connector)	-20 °C ... 105 °C (Plug / socket)
Ambient temperature (operation)	-20 °C ... 105 °C (Plug / socket) -40 °C ... 105 °C (cable, fixed installation)
Ambient temperature (operation) (Cable, flexible installation)	-30 °C ... 105 °C (Cable, flexible installation)

# SAC-6P- 2,0-547/MINFR - Power cable



1416652

<https://www.phoenixcontact.com/us/products/1416652>

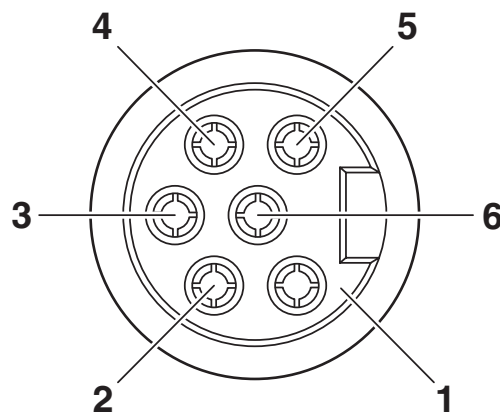
## Drawings

Dimensional drawing



7/8"-16UNF socket, angled

Schematic diagram



Pin assignment, socket, 7/8"-16UNF, 6-pos., view of female side

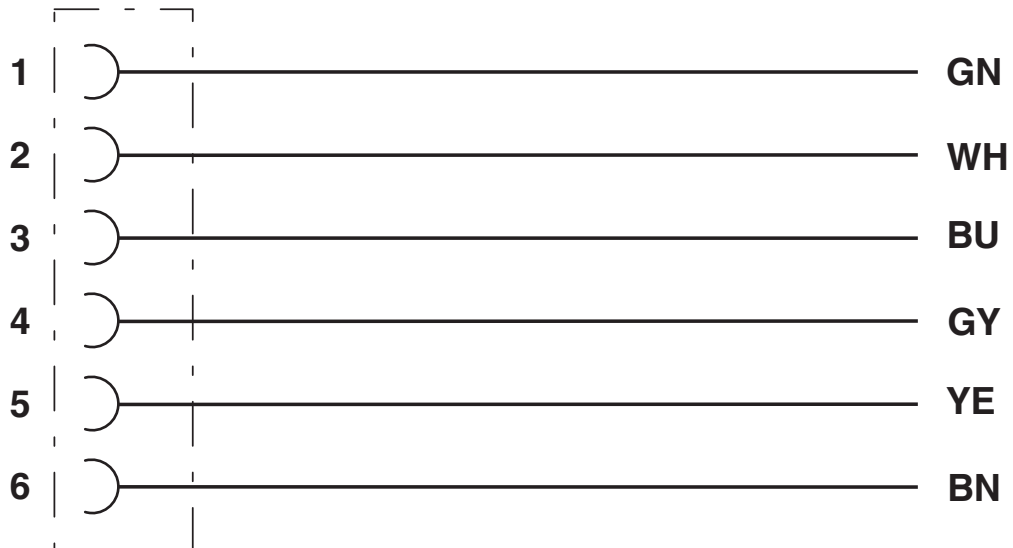
# SAC-6P- 2,0-547/MINFR - Power cable



1416652

<https://www.phoenixcontact.com/us/products/1416652>

Circuit diagram



Contact assignment of 7/8" socket

# SAC-6P- 2,0-547/MINFR - Power cable



1416652

<https://www.phoenixcontact.com/us/products/1416652>

## Classifications

### ECLASS

ECLASS-13.0	27060311
ECLASS-15.0	27060311

### ETIM

ETIM 9.0	EC001855
----------	----------

### UNSPSC

UNSPSC 21.0	31251501
-------------	----------

# SAC-6P- 2,0-547/MINFR - Power cable



1416652

<https://www.phoenixcontact.com/us/products/1416652>

## Environmental product compliance

### EU RoHS

Fulfills EU RoHS substance requirements	Yes, No exemptions
---	--------------------

### China RoHS

Environment friendly use period (EFUP)	EFUP-E
	No hazardous substances above the limits

### EU REACH SVHC

REACH candidate substance (CAS No.)	No substance above 0.1 wt%
-------------------------------------	----------------------------

Phoenix Contact 2026 © - all rights reserved  
<https://www.phoenixcontact.com>

Phoenix Contact USA  
586 Fulling Mill Road  
Middletown, PA 17057, United States  
(+717) 944-1300  
[info@phoenixcon.com](mailto:info@phoenixcon.com)