

SAC-5P-MINMR/ 5,0-547/MINFR - Power cable



1416636

<https://www.phoenixcontact.com/us/products/1416636>

Please be informed that the data shown in this PDF document is generated from our online catalog. Please find the complete data in the user documentation. Our general terms of use for downloads are valid.



Power cable, 5-position, PVC, yellow, Plug angled 7/8"-16UNF, on Socket angled 7/8"-16UNF, cable length: 5 m

Your advantages

- Easy and safe: 100 % electrically tested plug-in components

Commercial data

| | |
|--------------------------------------|--------------------------------|
| Item number | 1416636 |
| Packing unit | 1 pc |
| Minimum order quantity | 1 pc |
| Note | Made to order (non-returnable) |
| Sales key | BF14 |
| Product key | AF1IMA |
| GTIN | 4055626221786 |
| Weight per piece (including packing) | 22.22 g |
| Weight per piece (excluding packing) | 22.22 g |
| Customs tariff number | 85444290 |
| Country of origin | MX |

SAC-5P-MINMR/ 5,0-547/MINFR - Power cable



1416636

<https://www.phoenixcontact.com/us/products/1416636>

Technical data

Product properties

| | |
|----------------------|-----------------------|
| Product type | Sensor/actuator cable |
| Application | Standard |
| Number of positions | 5 |
| No. of cable outlets | 1 |
| Shielded | no |
| Coding | A |

Material specifications

| | |
|--|-------------------|
| Flammability rating according to UL 94 | V0 |
| Material of grip body | PVC |
| Contact material | CuZn |
| Contact surface material | Au |
| Contact carrier material | PVC |
| Material for screw connection | Anodized aluminum |

Electrical properties

| | |
|-----------------------|----------------------------|
| Insulation resistance | $\geq 100 \text{ M}\Omega$ |
| Nominal voltage U_N | 300 V AC/DC (UL rating) |
| | 50 V AC/DC (IEC rating) |
| Nominal current I_N | 8 A |

Mechanical properties

Mechanical data

| | |
|-----------------------------|-----|
| Insertion/withdrawal cycles | 100 |
|-----------------------------|-----|

Signaling

| | |
|------------------------|----|
| Status display | no |
| Status display present | no |

Connection data

Conductor connection

| | |
|-------------------|-------------------------|
| Tightening torque | 10 lb _F -in. |
| | 1.12 Nm |

Connector

Connection 1

| | |
|---------------------|------------------------|
| Type | Plug angled 7/8"-16UNF |
| Number of positions | 5 |

Connection 2

SAC-5P-MINMR/ 5,0-547/MINFR - Power cable



1416636

<https://www.phoenixcontact.com/us/products/1416636>

| | |
|---------------------|--------------------------|
| Type | Socket angled 7/8"-16UNF |
| Number of positions | 5 |

Cable/line

| | |
|--------------|-----|
| Cable length | 5 m |
|--------------|-----|

PVC AWG 18 yellow 105°C [547]

| | |
|---|--|
| Dimensional drawing |  |
| UL AWM Style | 2517 (105 °C / 300 V) |
| Number of positions | 5 |
| Shielded | no |
| Cable type | PVC AWG 18 yellow 105°C [547] |
| Conductor structure signal line | 41x 0.16 mm |
| AWG signal line | 18 |
| Wire diameter incl. insulation | 1.7 mm ±0.03 mm |
| External cable diameter | 6.60 mm ±0.2 mm |
| Outer sheath, material | PVC |
| External sheath, color | yellow |
| Conductor material | Tin-plated Cu litz wires |
| Material, filler | PP |
| Material wire insulation | PVC |
| Single wire, color | brown, white, blue, black, gray |
| Overall twist | 5 wires around filler to the core |
| Nominal voltage, cable | 300 V |
| Minimum bending radius, fixed installation | 8 x D |
| Smallest bending radius, fixed installation | 53 mm |
| Flame resistance | FT4 |
| Special properties | UL ITC/PLTC 105 °C CSA AWM I/II A/B FT4 105 °C / 300 V |
| Ambient temperature (operation) | -30 °C ... 105 °C (cable, fixed installation) |

Environmental and real-life conditions

Ambient conditions

| | |
|---|-----------------------------------|
| Degree of protection | IP68 |
| Ambient temperature (operation) (male connector/female connector) | -20 °C ... 105 °C (Plug / socket) |
| Ambient temperature (operation) | -20 °C ... 105 °C (Plug / socket) |

SAC-5P-MINMR/ 5,0-547/MINFR - Power cable



1416636

<https://www.phoenixcontact.com/us/products/1416636>

| | |
|--|--|
| Ambient temperature (operation) (Cable, fixed installation) | -40 °C ... 105 °C (cable, fixed installation) |
| Ambient temperature (operation) (Cable, flexible installation) | -30 °C ... 105 °C (Cable, flexible installation) |

Drawings

Dimensional drawing



7/8"-16UNF plug, angled

Dimensional drawing



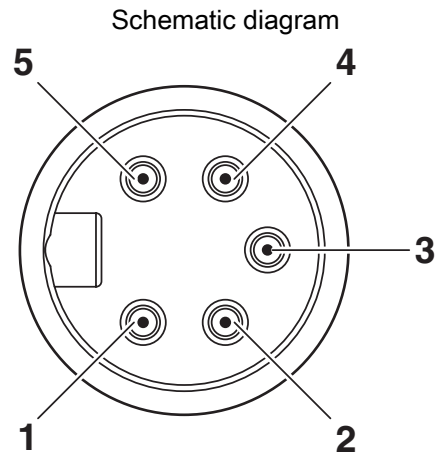
7/8"-16UNF socket, angled

SAC-5P-MINMR/ 5,0-547/MINFR - Power cable

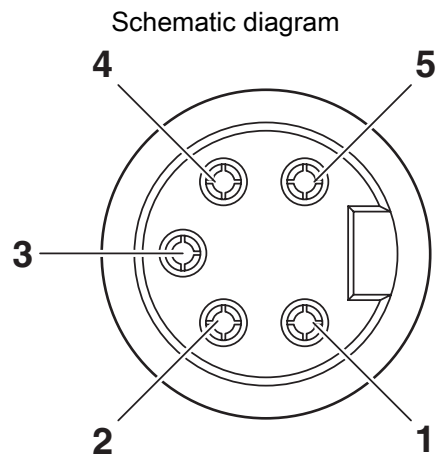


1416636

<https://www.phoenixcontact.com/us/products/1416636>



Pin assignment, plug, 7/8"-16UNF, 5-pos., view of male side



Pin assignment, socket, 7/8"-16UNF, 5-pos., view of female side

Circuit diagram



Contact assignment of 7/8" plugs/sockets

SAC-5P-MINMR/ 5,0-547/MINFR - Power cable



1416636

<https://www.phoenixcontact.com/us/products/1416636>

Approvals

To download certificates, visit the product detail page: <https://www.phoenixcontact.com/us/products/1416636>



UL Listed

Approval ID: FILE E 221474



cUL Listed

Approval ID: FILE E 221474

SAC-5P-MINMR/ 5,0-547/MINFR - Power cable



1416636

<https://www.phoenixcontact.com/us/products/1416636>

Classifications

ECLASS

| | |
|-------------|----------|
| ECLASS-13.0 | 27060311 |
| ECLASS-15.0 | 27060311 |

ETIM

| | |
|-----------|----------|
| ETIM 10.0 | EC001855 |
|-----------|----------|

UNSPSC

| | |
|-------------|----------|
| UNSPSC 21.0 | 31251501 |
|-------------|----------|

SAC-5P-MINMR/ 5,0-547/MINFR - Power cable



1416636

<https://www.phoenixcontact.com/us/products/1416636>

Environmental product compliance

EU RoHS

| | |
|---|--------------------|
| Fulfills EU RoHS substance requirements | Yes, No exemptions |
|---|--------------------|

China RoHS

| | |
|--|--|
| Environment friendly use period (EFUP) | EFUP-E |
| | No hazardous substances above the limits |

EU REACH SVHC

| | |
|-------------------------------------|----------------------------|
| REACH candidate substance (CAS No.) | No substance above 0.1 wt% |
|-------------------------------------|----------------------------|

Phoenix Contact 2026 © - all rights reserved
<https://www.phoenixcontact.com>

Phoenix Contact USA
586 Fulling Mill Road
Middletown, PA 17057, United States
(+717) 944-1300
info@phoenixcon.com