

# SAC-4P- 2,0-547/MINFS - Power cable



1416601

<https://www.phoenixcontact.com/us/products/1416601>

Please be informed that the data shown in this PDF document is generated from our online catalog. Please find the complete data in the user documentation. Our general terms of use for downloads are valid.



Power cable, 4-position, PVC, yellow, free cable end, on Socket straight 7/8"-16UNF, coding: A, cable length: 2 m

## Your advantages

- Easy and safe: 100 % electrically tested plug-in components

## Commercial data

Item number	1416601
Packing unit	1 pc
Minimum order quantity	1 pc
Note	Made to order (non-returnable)
Sales key	BF14
Product key	AF11MA
GTIN	4055626221533
Weight per piece (including packing)	168.8 g
Weight per piece (excluding packing)	168.8 g
Customs tariff number	85444290
Country of origin	MX

# SAC-4P- 2,0-547/MINFS - Power cable



1416601

<https://www.phoenixcontact.com/us/products/1416601>

## Technical data

### Product properties

Product type	Sensor/actuator cable
Application	Standard
Number of positions	4
No. of cable outlets	1
Shielded	no
Coding	A

### Material specifications

Flammability rating according to UL 94	V0
Material of grip body	PVC
Contact material	CuZn
Contact surface material	Au
Contact carrier material	PVC
Material for screw connection	Anodized aluminum

### Electrical properties

Insulation resistance	$\geq 100 \text{ M}\Omega$
Nominal voltage $U_N$	300 V AC/DC (UL rating)
	50 V AC/DC (IEC rating)
Nominal current $I_N$	10 A

### Mechanical properties

#### Mechanical data

Insertion/withdrawal cycles	100
-----------------------------	-----

### Signaling

Status display	no
Status display present	no

### Connection data

#### Conductor connection

Tightening torque	10 lb <sub>F</sub> -in.
	1.12 Nm

### Connector

#### Connection 1

Type	free cable end
------	----------------

#### Connection 2

Type	Socket straight 7/8"-16UNF
------	----------------------------

# SAC-4P- 2,0-547/MINFS - Power cable



1416601

<https://www.phoenixcontact.com/us/products/1416601>

Number of positions	4
Coding type	A

## Cable/line

Cable length	2 m
--------------	-----

PVC AWG 18 yellow 105°C [547]

Dimensional drawing	
UL AWM Style	2517 (105 °C / 300 V)
Number of positions	4
Shielded	no
Cable type	PVC AWG 18 yellow 105°C [547]
Conductor structure signal line	41x 0.16 mm
AWG signal line	18
Wire diameter incl. insulation	1.7 mm ±0.03 mm
External cable diameter	6.00 mm ±0.2 mm
Outer sheath, material	PVC
External sheath, color	yellow
Conductor material	Tin-plated Cu litz wires
Material wire insulation	PVC
Single wire, color	brown, white, blue, black
Overall twist	4 wires, twisted
Nominal voltage, cable	300 V
Minimum bending radius, fixed installation	8 x D
Smallest bending radius, fixed installation	48 mm
Flame resistance	FT4
Special properties	UL ITC/PLTC 105 °C CSA AWM I/II A/B FT4 105 °C / 300 V
Ambient temperature (operation)	-30 °C ... 105 °C (cable, fixed installation)

## Environmental and real-life conditions

### Ambient conditions

Degree of protection	IP68
Ambient temperature (operation) (male connector/female connector)	-20 °C ... 105 °C (Plug / socket)
Ambient temperature (operation)	-20 °C ... 105 °C (Plug / socket)
Ambient temperature (operation) (Cable, fixed installation)	-40 °C ... 105 °C (cable, fixed installation)

# SAC-4P- 2,0-547/MINFS - Power cable



1416601

<https://www.phoenixcontact.com/us/products/1416601>

Ambient temperature (operation) (Cable, flexible installation)

-30 °C ... 105 °C (Cable, flexible installation)

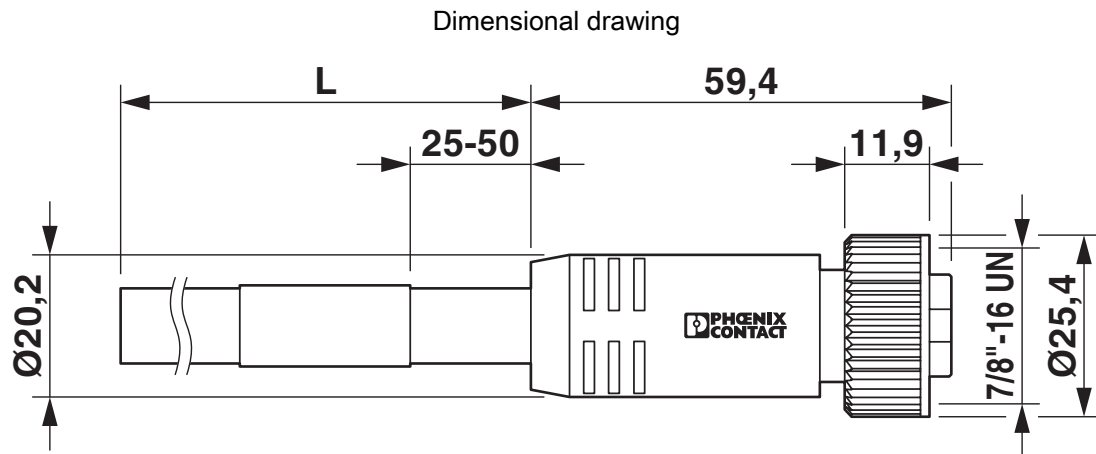
# SAC-4P- 2,0-547/MINFS - Power cable



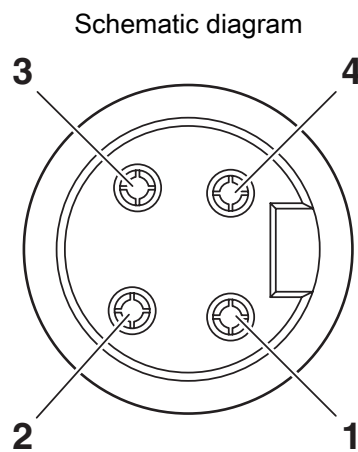
1416601

<https://www.phoenixcontact.com/us/products/1416601>

## Drawings



7/8"-16UNF socket, straight



Pin assignment, socket, 7/8"-16UNF, 4-pos., view of female side

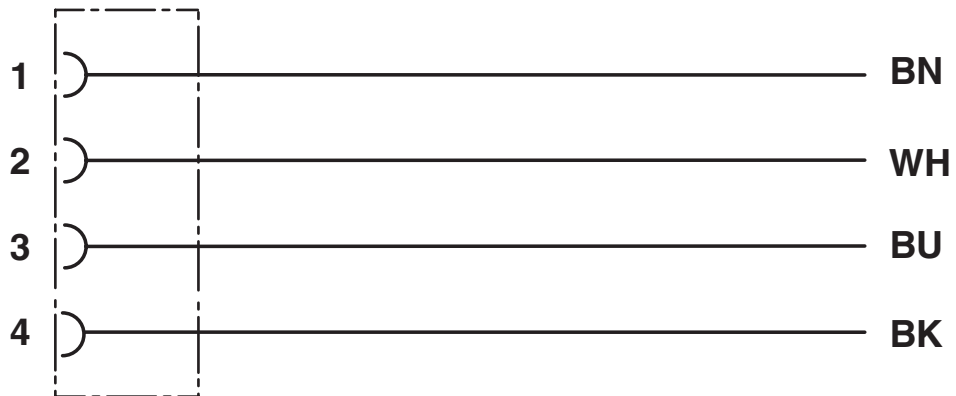
# SAC-4P- 2,0-547/MINFS - Power cable



1416601

<https://www.phoenixcontact.com/us/products/1416601>

Circuit diagram



Contact assignment of 7/8" socket

# SAC-4P- 2,0-547/MINFS - Power cable



1416601

<https://www.phoenixcontact.com/us/products/1416601>

## Approvals

To download certificates, visit the product detail page: <https://www.phoenixcontact.com/us/products/1416601>



**UL Listed**

Approval ID: FILE E 221474



**cUL Listed**

Approval ID: FILE E 221474

# SAC-4P- 2,0-547/MINFS - Power cable



1416601

<https://www.phoenixcontact.com/us/products/1416601>

## Classifications

### ECLASS

ECLASS-13.0	27060311
ECLASS-15.0	27060311

### ETIM

ETIM 10.0	EC001855
-----------	----------

### UNSPSC

UNSPSC 21.0	31251501
-------------	----------

# SAC-4P- 2,0-547/MINFS - Power cable



1416601

<https://www.phoenixcontact.com/us/products/1416601>

## Environmental product compliance

### EU RoHS

Fulfills EU RoHS substance requirements	Yes, No exemptions
---	--------------------

### China RoHS

Environment friendly use period (EFUP)	EFUP-E
	No hazardous substances above the limits

### EU REACH SVHC

REACH candidate substance (CAS No.)	No substance above 0.1 wt%
-------------------------------------	----------------------------

Phoenix Contact 2026 © - all rights reserved  
<https://www.phoenixcontact.com>

Phoenix Contact USA  
586 Fulling Mill Road  
Middletown, PA 17057, United States  
(+717) 944-1300  
[info@phoenixcon.com](mailto:info@phoenixcon.com)