

# SAC-5P-MINMR/ 1,0-547 - Power cable



1416483

<https://www.phoenixcontact.com/us/products/1416483>

Please be informed that the data shown in this PDF document is generated from our online catalog. Please find the complete data in the user documentation. Our general terms of use for downloads are valid.



Power cable, 5-position, PVC, yellow, Plug angled 7/8"-16UNF, coding: A, on free cable end, cable length: 1 m

## Your advantages

- Easy and safe: 100 % electrically tested plug-in components

## Commercial data

|                                      |                                |
|--------------------------------------|--------------------------------|
| Item number                          | 1416483                        |
| Packing unit                         | 1 pc                           |
| Minimum order quantity               | 1 pc                           |
| Note                                 | Made to order (non-returnable) |
| Sales key                            | BF14                           |
| Product key                          | AF1IMA                         |
| GTIN                                 | 4055626220987                  |
| Weight per piece (including packing) | 22.22 g                        |
| Weight per piece (excluding packing) | 22.22 g                        |
| Customs tariff number                | 85444290                       |
| Country of origin                    | MX                             |

# SAC-5P-MINMR/ 1,0-547 - Power cable



1416483

<https://www.phoenixcontact.com/us/products/1416483>

## Technical data

### Product properties

|                      |                       |
|----------------------|-----------------------|
| Product type         | Sensor/actuator cable |
| Application          | Standard              |
| Number of positions  | 5                     |
| No. of cable outlets | 1                     |
| Shielded             | no                    |
| Coding               | A                     |

### Material specifications

|  |                   |
|--|-------------------|
| Flammability rating according to UL 94 | V0                |
| Material of grip body                  | PVC               |
| Contact material                       | CuZn              |
| Contact surface material               | Au                |
| Contact carrier material               | PVC               |
| Material for screw connection          | Anodized aluminum |

### Electrical properties

|                       |                            |
|-----------------------|----------------------------|
| Insulation resistance | $\geq 100 \text{ M}\Omega$ |
| Nominal voltage $U_N$ | 300 V AC/DC (UL rating)    |
|                       | 50 V AC/DC (IEC rating)    |
| Nominal current $I_N$ | 8 A                        |

### Mechanical properties

#### Mechanical data

|                             |     |
|-----------------------------|-----|
| Insertion/withdrawal cycles | 100 |
|-----------------------------|-----|

### Signaling

|                        |    |
|------------------------|----|
| Status display         | no |
| Status display present | no |

### Connection data

#### Conductor connection

|                   |                         |
|-------------------|-------------------------|
| Tightening torque | 10 lb <sub>F</sub> -in. |
|                   | 1.12 Nm                 |

### Connector

#### Connection 1

|             |                        |
|-------------|------------------------|
| Type        | Plug angled 7/8"-16UNF |
| Coding type | A                      |

#### Connection 2

# SAC-5P-MINMR/ 1,0-547 - Power cable



1416483

<https://www.phoenixcontact.com/us/products/1416483>

|      |                |
|------|----------------|
| Type | free cable end |
|------|----------------|

## Cable/line

|              |     |
|--------------|-----|
| Cable length | 1 m |
|--------------|-----|

PVC AWG 18 yellow 105°C [547]

|   |  |
|---|--|
| Dimensional drawing                         |  |
| UL AWM Style                                | 2517 (105 °C / 300 V)  |
| Number of positions                         | 5  |
| Shielded                                    | no   |
| Cable type                                  | PVC AWG 18 yellow 105°C [547]  |
| Conductor structure signal line             | 41x 0.16 mm  |
| AWG signal line                             | 18   |
| Wire diameter incl. insulation              | 1.7 mm ±0.03 mm  |
| External cable diameter                     | 6.60 mm ±0.2 mm  |
| Outer sheath, material                      | PVC  |
| External sheath, color                      | yellow   |
| Conductor material                          | Tin-plated Cu litz wires   |
| Material, filler                            | PP   |
| Material wire insulation                    | PVC  |
| Single wire, color                          | brown, white, blue, black, gray  |
| Overall twist                               | 5 wires around filler to the core  |
| Nominal voltage, cable                      | 300 V  |
| Minimum bending radius, fixed installation  | 8 x D  |
| Smallest bending radius, fixed installation | 53 mm  |
| Flame resistance                            | FT4  |
| Special properties                          | UL ITC/PLTC 105 °C<br>CSA AWM I/II A/B FT4 105 °C / 300 V                          |
| Ambient temperature (operation)             | -30 °C ... 105 °C (cable, fixed installation)                                      |

## Environmental and real-life conditions

### Ambient conditions

|   |   |
|---|---|
| Degree of protection  | IP68  |
| Ambient temperature (operation) (male connector/female connector) | -20 °C ... 105 °C (Plug / socket)             |
| Ambient temperature (operation)                                   | -20 °C ... 105 °C (Plug / socket)             |
| Ambient temperature (operation) (Cable, fixed installation)       | -40 °C ... 105 °C (cable, fixed installation) |

# SAC-5P-MINMR/ 1,0-547 - Power cable



1416483

<https://www.phoenixcontact.com/us/products/1416483>

Ambient temperature (operation) (Cable, flexible installation)

-30 °C ... 105 °C (Cable, flexible installation)

# SAC-5P-MINMR/ 1,0-547 - Power cable



1416483

<https://www.phoenixcontact.com/us/products/1416483>

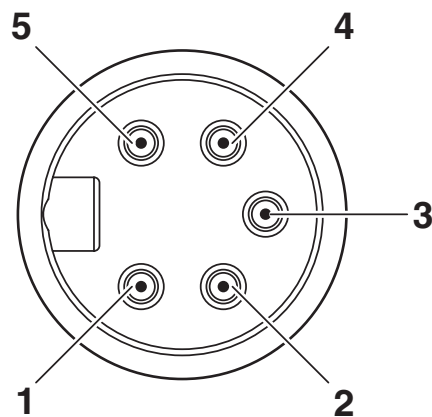
## Drawings

Dimensional drawing



7/8"-16UNF plug, angled

Schematic diagram



Pin assignment, plug, 7/8"-16UNF, 5-pos., view of male side

# SAC-5P-MINMR/ 1,0-547 - Power cable

1416483

<https://www.phoenixcontact.com/us/products/1416483>



Circuit diagram



Contact assignment of 7/8" plug

# SAC-5P-MINMR/ 1,0-547 - Power cable



1416483

<https://www.phoenixcontact.com/us/products/1416483>

## Classifications

### ECLASS

|             |          |
|-------------|----------|
| ECLASS-13.0 | 27060311 |
| ECLASS-15.0 | 27060311 |

### ETIM

|          |          |
|----------|----------|
| ETIM 9.0 | EC001855 |
|----------|----------|

### UNSPSC

|             |          |
|-------------|----------|
| UNSPSC 21.0 | 31251501 |
|-------------|----------|

# SAC-5P-MINMR/ 1,0-547 - Power cable



1416483

<https://www.phoenixcontact.com/us/products/1416483>

## Environmental product compliance

### EU RoHS

|   |                    |
|---|--------------------|
| Fulfills EU RoHS substance requirements | Yes, No exemptions |
|---|--------------------|

### China RoHS

|  |  |
|--|--|
| Environment friendly use period (EFUP) | EFUP-E                                   |
|  | No hazardous substances above the limits |

### EU REACH SVHC

|                                     |                            |
|-------------------------------------|----------------------------|
| REACH candidate substance (CAS No.) | No substance above 0.1 wt% |
|-------------------------------------|----------------------------|

Phoenix Contact 2026 © - all rights reserved  
<https://www.phoenixcontact.com>

Phoenix Contact USA  
586 Fulling Mill Road  
Middletown, PA 17057, United States  
(+717) 944-1300  
[info@phoenixcon.com](mailto:info@phoenixcon.com)