

HC-D7-SML-26/O1STPG11 - Housing



1416406

<https://www.phoenixcontact.com/us/products/1416406>

Please be informed that the data shown in this PDF document is generated from our online catalog. Please find the complete data in the user documentation. Our general terms of use for downloads are valid.



Surface mounting housing D7, with single locking latch, material: Die-cast zinc, cable outlets: 1, lateral, 1x Pg11, height: 25.5 mm, cable gland: none, Standard, open floor

Commercial data

Item number	1416406
Packing unit	10 pc
Minimum order quantity	1 pc
Product key	AF7AAE
GTIN	4055626072654
Weight per piece (including packing)	67.69 g
Weight per piece (excluding packing)	62 g
Country of origin	DE

HC-D7-SML-26/O1STPG11 - Housing

1416406

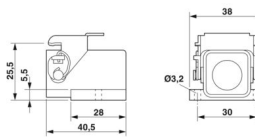
<https://www.phoenixcontact.com/us/products/1416406>

Technical data

Product properties

Product type	Housing with locking latch
Housing type	Surface mounting housing
Application	Standard
Type	D7
No. of cable outlets	1
Type of the screw connection	1x Pg11
Cable outlet	lateral
Pg screw connection	none

Dimensions

Dimensional drawing	
Width	40.5 mm
Height	25.5 mm
Length	38 mm

Material specifications

Seal material	NBR
Housing material	Die-cast zinc
Housing surface material	Powder-coated, gray
Locking latch material	Steel, galvanized

Mechanical properties

Mechanical data

Type of the screw connection	1x Pg11
Locking type	Latch

Environmental and real-life conditions

Ambient conditions

Degree of protection	IP54
Ambient temperature (operation)	-40 °C ... 125 °C

HC-D7-SML-26/O1STPG11 - Housing

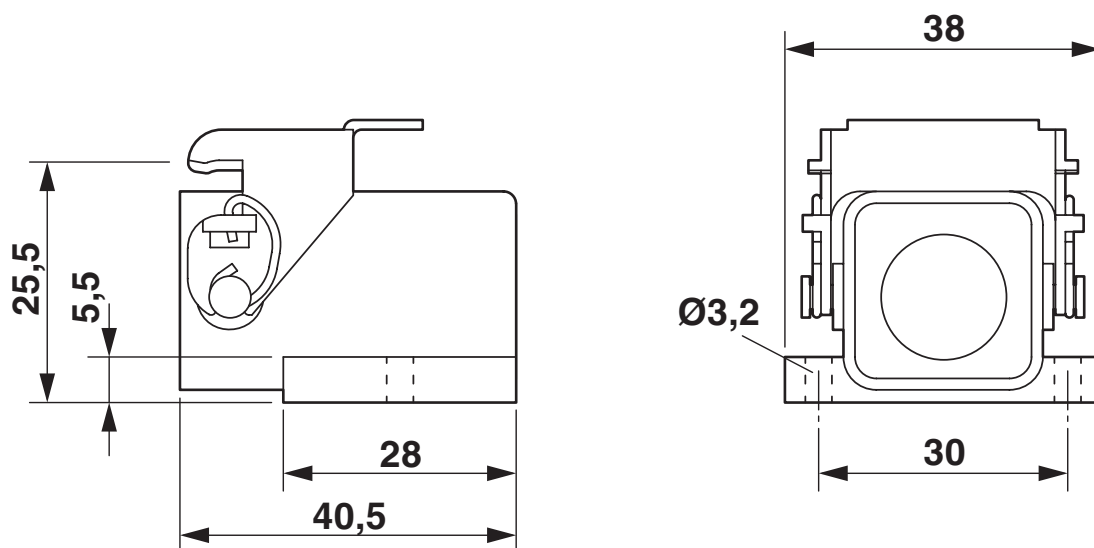


1416406

<https://www.phoenixcontact.com/us/products/1416406>

Drawings

Dimensional drawing



HC-D7-SML-26/O1STPG11 - Housing



1416406

<https://www.phoenixcontact.com/us/products/1416406>

Classifications

ECLASS

ECLASS-13.0	27440202
ECLASS-15.0	27440202

HC-D7-SML-26/O1STPG11 - Housing



1416406

<https://www.phoenixcontact.com/us/products/1416406>

Environmental product compliance

EU RoHS

Fulfills EU RoHS substance requirements	Yes, No exemptions
---	--------------------

China RoHS

Environment friendly use period (EFUP)	EFUP-E
	No hazardous substances above the limits

EU REACH SVHC

REACH candidate substance (CAS No.)	No substance above 0.1 wt%
-------------------------------------	----------------------------

Phoenix Contact 2026 © - all rights reserved
<https://www.phoenixcontact.com>

Phoenix Contact USA
586 Fulling Mill Road
Middletown, PA 17057, United States
(+717) 944-1300
info@phoenixcon.com