

# HC-D7-SML-57/O1STPG11/PA - Housing



1416405

<https://www.phoenixcontact.com/us/products/1416405>

Please be informed that the data shown in this PDF document is generated from our online catalog. Please find the complete data in the user documentation. Our general terms of use for downloads are valid.



Surface mounting housing D7, with single locking latch, material: PA, cable outlets: 1, lateral, 1x Pg11, height: 25.5 mm, cable gland: with

## Commercial data

Item number	1416405
Packing unit	10 pc
Minimum order quantity	1 pc
Product key	AF7AAE
GTIN	4055626072647
Weight per piece (including packing)	25.88 g
Weight per piece (excluding packing)	22.22 g
Country of origin	DE

1416405

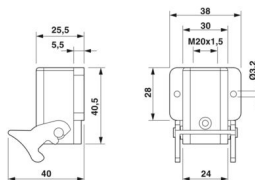
<https://www.phoenixcontact.com/us/products/1416405>

## Technical data

### Product properties

Product type	Housing with locking latch
Housing type	Surface mounting housing
Type	D7
No. of cable outlets	1
Type of the screw connection	1x Pg11
Cable outlet	lateral
Pg screw connection	with

### Dimensions

Dimensional drawing	
Width	40.5 mm
Height	25.5 mm
Length	38 mm

### Material specifications

Seal material	NBR
Housing material	PA
Housing surface material	PA, light gray
Locking latch material	PA

### Mechanical properties

#### Mechanical data

Type of the screw connection	1x Pg11
Locking type	Latch

### Environmental and real-life conditions

#### Ambient conditions

Degree of protection	IP54
Ambient temperature (operation)	-40 °C ... 125 °C

# HC-D7-SML-57/O1STPG11/PA - Housing

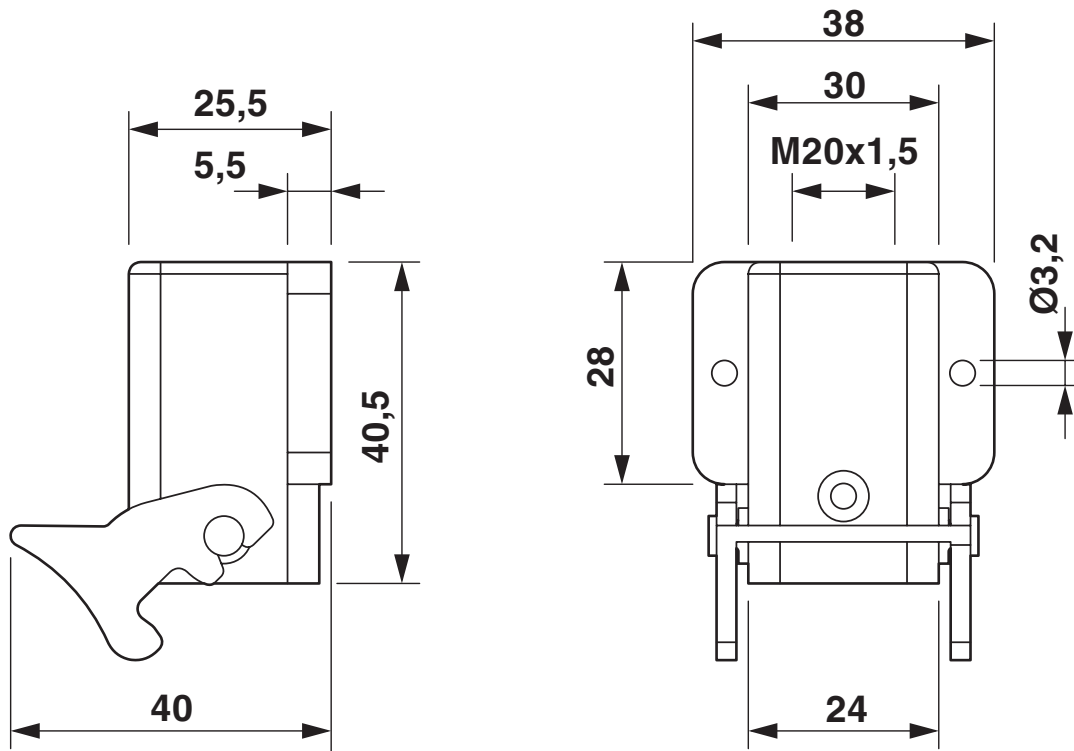


1416405

<https://www.phoenixcontact.com/us/products/1416405>

## Drawings

Dimensional drawing



# HC-D7-SML-57/O1STPG11/PA - Housing



1416405

<https://www.phoenixcontact.com/us/products/1416405>

## Classifications

### ECLASS

ECLASS-13.0	27440202
ECLASS-15.0	27440202

1416405

<https://www.phoenixcontact.com/us/products/1416405>

## Environmental product compliance

### EU RoHS

Fulfills EU RoHS substance requirements	Yes, No exemptions
---	--------------------

### China RoHS

Environment friendly use period (EFUP)	EFUP-E
	No hazardous substances above the limits

### EU REACH SVHC

REACH candidate substance (CAS No.)	No substance above 0.1 wt%
-------------------------------------	----------------------------

Phoenix Contact 2026 © - all rights reserved  
<https://www.phoenixcontact.com>

Phoenix Contact USA  
586 Fulling Mill Road  
Middletown, PA 17057, United States  
(+717) 944-1300  
[info@phoenixcon.com](mailto:info@phoenixcon.com)