

HC-D50-SMQ-81/O2PG21 - Housing



1416400

<https://www.phoenixcontact.com/us/products/1416400>

Please be informed that the data shown in this PDF document is generated from our online catalog. Please find the complete data in the user documentation. Our general terms of use for downloads are valid.



Surface mounting housing D50, with double locking latch, material: Die-cast aluminum, cable outlets: 2, lateral, 2x Pg21, height: 81 mm, cable gland: none, Standard

Commercial data

Item number	1416400
Packing unit	1 pc
Note	Made to order (non-returnable)
Sales key	BF55
Product key	AF7AAE
GTIN	4055626072609
Weight per piece (including packing)	506.2 g
Weight per piece (excluding packing)	506.2 g
Customs tariff number	85389099
Country of origin	DE

HC-D50-SMQ-81/O2PG21 - Housing

1416400

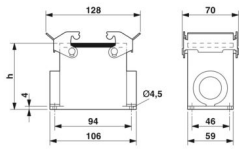
<https://www.phoenixcontact.com/us/products/1416400>

Technical data

Product properties

Product type	Housing with locking latch
Housing type	Surface mounting housing
Application	Standard
Type	D50
No. of cable outlets	2
Type of the screw connection	2x Pg21
Cable outlet	lateral
Pg screw connection	none

Dimensions

Dimensional drawing	
Width	59 mm
Height	81 mm
Length	106 mm

Material specifications

Housing material	Die-cast aluminum
Housing surface material	Powder-coated, gray
Locking latch material	Steel, galvanized

Mechanical properties

Mechanical data

Type of the screw connection	2x Pg21
Locking type	Latch

Environmental and real-life conditions

Ambient conditions

Degree of protection	IP65
Ambient temperature (operation)	-40 °C ... 125 °C

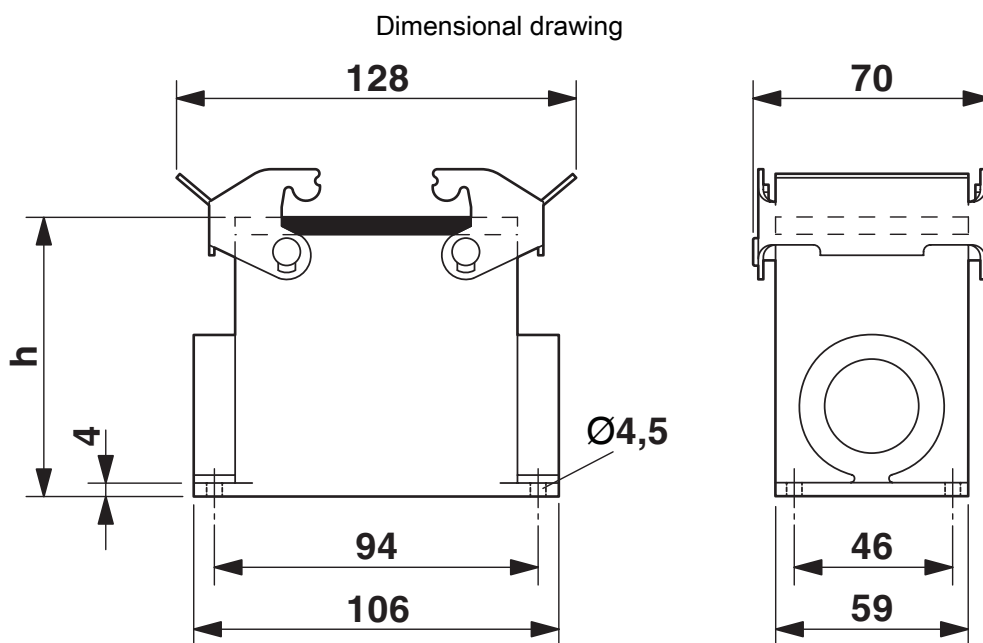
HC-D50-SMQ-81/O2PG21 - Housing



1416400

<https://www.phoenixcontact.com/us/products/1416400>

Drawings



HC-D50-SMQ-81/O2PG21 - Housing



1416400

<https://www.phoenixcontact.com/us/products/1416400>

Classifications

ECLASS

ECLASS-13.0	27440202
ECLASS-15.0	27440202

HC-D50-SMQ-81/O2PG21 - Housing



1416400

<https://www.phoenixcontact.com/us/products/1416400>

Environmental product compliance

EU RoHS

Fulfills EU RoHS substance requirements	Yes, No exemptions
---	--------------------

China RoHS

Environment friendly use period (EFUP)	EFUP-E
	No hazardous substances above the limits

EU REACH SVHC

REACH candidate substance (CAS No.)	No substance above 0.1 wt%
-------------------------------------	----------------------------

Phoenix Contact 2026 © - all rights reserved
<https://www.phoenixcontact.com>

Phoenix Contact USA
586 Fulling Mill Road
Middletown, PA 17057, United States
(+717) 944-1300
info@phoenixcon.com