

# HC-D50-SMQ-81/O1PG29 - Housing



1416399

<https://www.phoenixcontact.com/us/products/1416399>

Please be informed that the data shown in this PDF document is generated from our online catalog. Please find the complete data in the user documentation. Our general terms of use for downloads are valid.



Surface mounting housing D50, with double locking latch, material: Die-cast aluminum, cable outlets: 1, lateral, 1x Pg29, height: 81 mm, cable gland: none, Standard

## Commercial data

Item number	1416399
Packing unit	1 pc
Note	Made to order (non-returnable)
Sales key	BF55
Product key	AF7AAE
GTIN	4055626072593
Weight per piece (including packing)	491.18 g
Weight per piece (excluding packing)	476 g
Customs tariff number	85389099
Country of origin	DE

# HC-D50-SMQ-81/O1PG29 - Housing

1416399

<https://www.phoenixcontact.com/us/products/1416399>

## Technical data

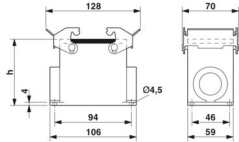
### Notes

General	For contact inserts HC-D25, A16/A32
---------	-------------------------------------

### Product properties

Product type	Housing with locking latch
Housing type	Surface mounting housing
Application	Standard
Type	D50
No. of cable outlets	1
Type of the screw connection	1x Pg29
Cable outlet	lateral
Pg screw connection	none

### Dimensions

Dimensional drawing	
Width	59 mm
Height	81 mm
Length	106 mm

### Material specifications

Housing material	Die-cast aluminum
Housing surface material	Powder-coated, gray
Locking latch material	Steel, galvanized

### Mechanical properties

#### Mechanical data

Type of the screw connection	1x Pg29
Locking type	Latch

### Environmental and real-life conditions

#### Ambient conditions

Degree of protection	IP65
Ambient temperature (operation)	-40 °C ... 125 °C

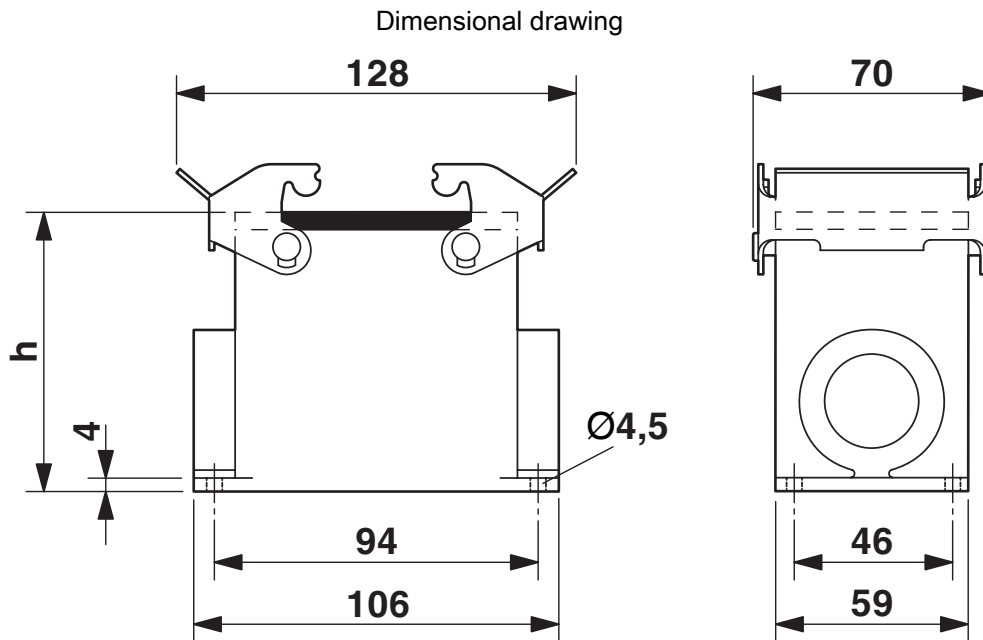
# HC-D50-SMQ-81/O1PG29 - Housing



1416399

<https://www.phoenixcontact.com/us/products/1416399>

## Drawings



Dimensional drawing

# HC-D50-SMQ-81/O1PG29 - Housing



1416399

<https://www.phoenixcontact.com/us/products/1416399>

## Classifications

### ECLASS

ECLASS-13.0	27440202
ECLASS-15.0	27440202

# HC-D50-SMQ-81/O1PG29 - Housing



1416399

<https://www.phoenixcontact.com/us/products/1416399>

## Environmental product compliance

### EU RoHS

Fulfills EU RoHS substance requirements	Yes, No exemptions
---	--------------------

### China RoHS

Environment friendly use period (EFUP)	EFUP-E
	No hazardous substances above the limits

### EU REACH SVHC

REACH candidate substance (CAS No.)	No substance above 0.1 wt%
-------------------------------------	----------------------------

Phoenix Contact 2026 © - all rights reserved  
<https://www.phoenixcontact.com>

Phoenix Contact USA  
586 Fulling Mill Road  
Middletown, PA 17057, United States  
(+717) 944-1300  
[info@phoenixcon.com](mailto:info@phoenixcon.com)