

# HC-D 50-SMQ-81/O2M25 - Housing

1416383

<https://www.phoenixcontact.com/us/products/1416383>

Please be informed that the data shown in this PDF document is generated from our online catalog. Please find the complete data in the user documentation. Our general terms of use for downloads are valid.



Surface mounting housing D50, with double locking latch, material: Die-cast aluminum, cable outlets: 2, lateral, 2x M25, height: 81 mm, cable gland: none, Standard

## Commercial data

|                                      |                                |
|--------------------------------------|--------------------------------|
| Item number                          | 1416383                        |
| Packing unit                         | 1 pc                           |
| Note                                 | Made to order (non-returnable) |
| Sales key                            | BF55                           |
| Product key                          | AF7AAE                         |
| GTIN                                 | 4055626072456                  |
| Weight per piece (including packing) | 518.8 g                        |
| Weight per piece (excluding packing) | 518.8 g                        |
| Customs tariff number                | 85389099                       |
| Country of origin                    | DE                             |

# HC-D 50-SMQ-81/O2M25 - Housing

1416383

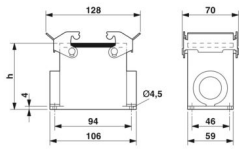
<https://www.phoenixcontact.com/us/products/1416383>

## Technical data

### Product properties

|                              |                            |
|------------------------------|----------------------------|
| Product type                 | Housing with locking latch |
| Housing type                 | Surface mounting housing   |
| Application                  | Standard                   |
| Type                         | D50                        |
| No. of cable outlets         | 2                          |
| Type of the screw connection | 2x M25                     |
| Cable outlet                 | lateral                    |
| Pg screw connection          | none                       |

### Dimensions

|                     |   |
|---------------------|---|
| Dimensional drawing |  |
| Width               | 59 mm   |
| Height              | 81 mm   |
| Length              | 106 mm  |

### Material specifications

|                          |                     |
|--------------------------|---------------------|
| Housing material         | Die-cast aluminum   |
| Housing surface material | Powder-coated, gray |
| Locking latch material   | Steel, galvanized   |

### Mechanical properties

#### Mechanical data

|                              |        |
|------------------------------|--------|
| Type of the screw connection | 2x M25 |
| Locking type                 | Latch  |

### Environmental and real-life conditions

#### Ambient conditions

|                                 |                   |
|---------------------------------|-------------------|
| Degree of protection            | IP65              |
| Ambient temperature (operation) | -40 °C ... 125 °C |

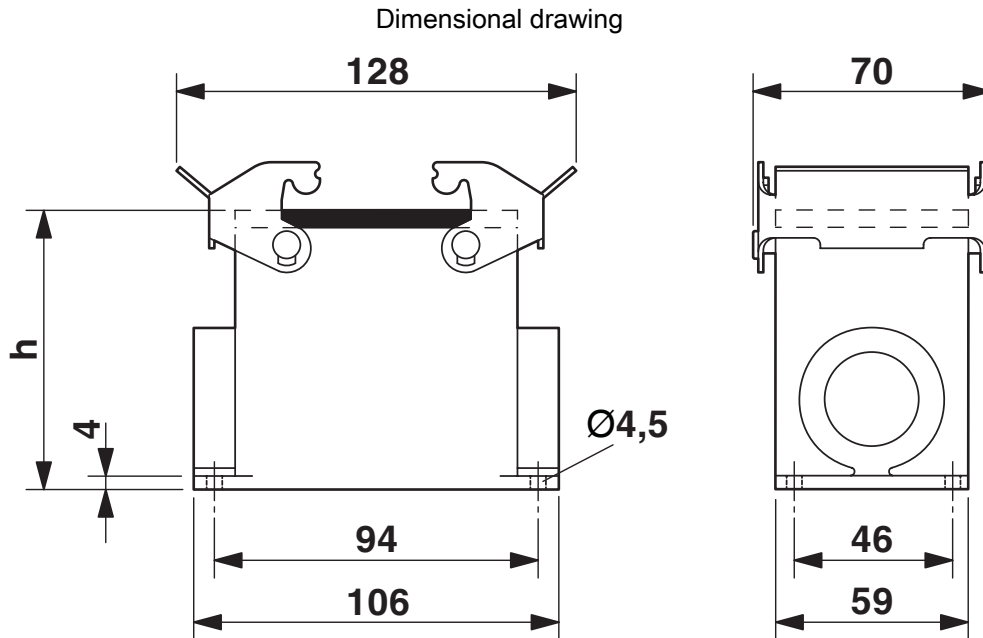
# HC-D 50-SMQ-81/O2M25 - Housing



1416383

<https://www.phoenixcontact.com/us/products/1416383>

## Drawings



# HC-D 50-SMQ-81/O2M25 - Housing



1416383

<https://www.phoenixcontact.com/us/products/1416383>

## Classifications

### ECLASS

|             |          |
|-------------|----------|
| ECLASS-13.0 | 27440202 |
| ECLASS-15.0 | 27440202 |

# HC-D 50-SMQ-81/O2M25 - Housing



1416383

<https://www.phoenixcontact.com/us/products/1416383>

## Environmental product compliance

### EU RoHS

|   |                    |
|---|--------------------|
| Fulfills EU RoHS substance requirements | Yes, No exemptions |
|---|--------------------|

### China RoHS

|  |  |
|--|--|
| Environment friendly use period (EFUP) | EFUP-E                                   |
|  | No hazardous substances above the limits |

### EU REACH SVHC

|                                     |                            |
|-------------------------------------|----------------------------|
| REACH candidate substance (CAS No.) | No substance above 0.1 wt% |
|-------------------------------------|----------------------------|

Phoenix Contact 2026 © - all rights reserved  
<https://www.phoenixcontact.com>

Phoenix Contact USA  
586 Fulling Mill Road  
Middletown, PA 17057, United States  
(+717) 944-1300  
[info@phoenixcon.com](mailto:info@phoenixcon.com)