

# HC-D 25-TFL-58/O1M20G - Housing



1416380

<https://www.phoenixcontact.com/us/products/1416380>

Please be informed that the data shown in this PDF document is generated from our online catalog. Please find the complete data in the user documentation. Our general terms of use for downloads are valid.



Sleeve housing D25, for single locking latch, material: Die-cast aluminum, cable outlets: 1, straight, 1x M20, height: 58 mm, cable gland: none, Standard

## Commercial data

Item number	1416380
Packing unit	1 pc
Note	Made to order (non-returnable)
Sales key	BF55
Product key	AF7AAE
GTIN	4055626072425
Weight per piece (including packing)	140.07 g
Weight per piece (excluding packing)	119.71 g
Customs tariff number	85389099
Country of origin	DE

# HC-D 25-TFL-58/O1M20G - Housing

1416380

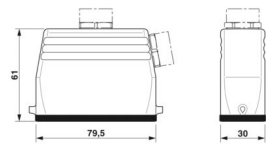
<https://www.phoenixcontact.com/us/products/1416380>

## Technical data

### Product properties

Product type	Housing with locking latch
Housing type	Sleeve housing
Application	Standard
Type	D25
No. of cable outlets	1
Type of the screw connection	1x M20
Cable outlet	straight
Pg screw connection	none

### Dimensions

Dimensional drawing	
Width	36 mm
Height	58 mm
Length	79.5 mm

### Material specifications

Seal material	NBR
Housing material	Die-cast aluminum
Housing surface material	Powder-coated, gray

### Mechanical properties

#### Mechanical data

Type of the screw connection	1x M20
Locking type	Pin

### Environmental and real-life conditions

#### Ambient conditions

Degree of protection	IP65
Ambient temperature (operation)	-40 °C ... 125 °C

# HC-D 25-TFL-58/O1M20G - Housing

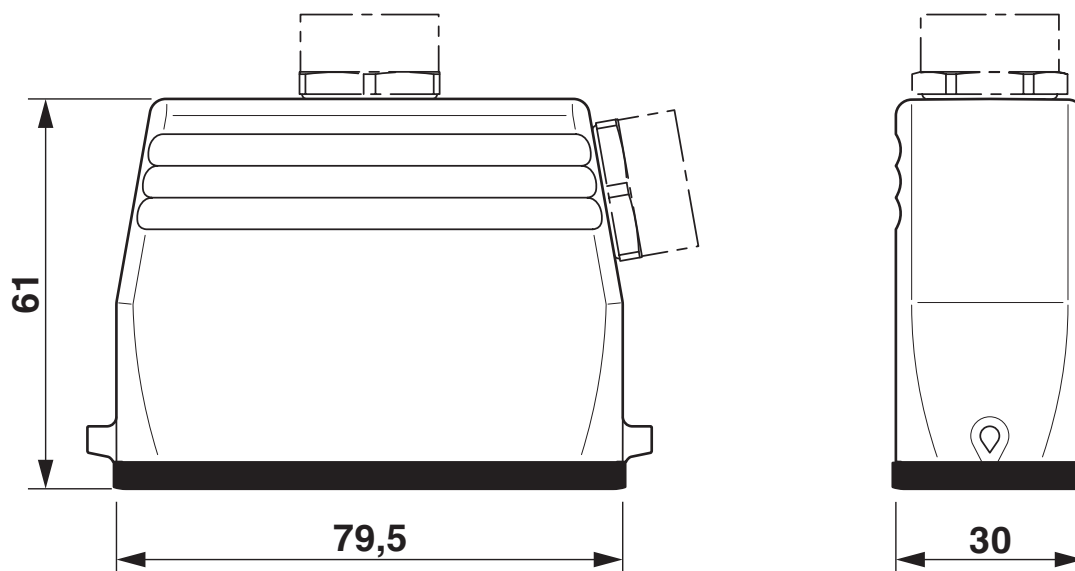
1416380

<https://www.phoenixcontact.com/us/products/1416380>



## Drawings

Dimensional drawing



Dimensional drawing

# HC-D 25-TFL-58/O1M20G - Housing



1416380

<https://www.phoenixcontact.com/us/products/1416380>

## Classifications

### ECLASS

ECLASS-13.0	27440202
ECLASS-15.0	27440202

# HC-D 25-TFL-58/O1M20G - Housing



1416380

<https://www.phoenixcontact.com/us/products/1416380>

## Environmental product compliance

### EU RoHS

Fulfills EU RoHS substance requirements	Yes, No exemptions
---	--------------------

### China RoHS

Environment friendly use period (EFUP)	EFUP-E
	No hazardous substances above the limits

### EU REACH SVHC

REACH candidate substance (CAS No.)	No substance above 0.1 wt%
-------------------------------------	----------------------------

Phoenix Contact 2026 © - all rights reserved  
<https://www.phoenixcontact.com>

Phoenix Contact USA  
586 Fulling Mill Road  
Middletown, PA 17057, United States  
(+717) 944-1300  
[info@phoenixcon.com](mailto:info@phoenixcon.com)