

HC-D 25-SMLD-57/O1PG21 - Housing



1416378

<https://www.phoenixcontact.com/us/products/1416378>

Please be informed that the data shown in this PDF document is generated from our online catalog. Please find the complete data in the user documentation. Our general terms of use for downloads are valid.



Surface mounting housing D25, with single locking latch, material: Die-cast aluminum, protective cover material: PA, cable outlets: 1, left (view of the opened single locking latch), 1x Pg21, height: 57 mm, cable gland: none, protective cover: yes, Standard

Commercial data

Item number	1416378
Packing unit	1 pc
Note	Made to order (non-returnable)
Sales key	BF55
Product key	AF7AAE
GTIN	4055626072401
Weight per piece (including packing)	273.71 g
Weight per piece (excluding packing)	273.71 g
Customs tariff number	85389099
Country of origin	DE

HC-D 25-SMLD-57/O1PG21 - Housing

1416378

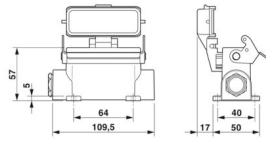
<https://www.phoenixcontact.com/us/products/1416378>

Technical data

Product properties

Product type	Housing with locking latch
Housing type	Surface mounting housing
Application	Standard
Type	D25
No. of cable outlets	1
Type of the screw connection	1x Pg21
Protective cover	yes
Cable outlet	left (view of the opened single locking latch)
Pg screw connection	none

Dimensions

Dimensional drawing	
Width	50 mm
Height	57 mm
Length	109.5 mm

Material specifications

Housing material	Die-cast aluminum
Housing surface material	Powder-coated, gray
Material, protective cover	PA
Locking latch material	Steel, galvanized

Mechanical properties

Mechanical data

Type of the screw connection	1x Pg21
Locking type	Latch

Environmental and real-life conditions

Ambient conditions

Degree of protection	IP65 (When plugged in) IP54 (with closed protective cover)
Ambient temperature (operation)	-40 °C ... 125 °C

HC-D 25-SMLD-57/O1PG21 - Housing

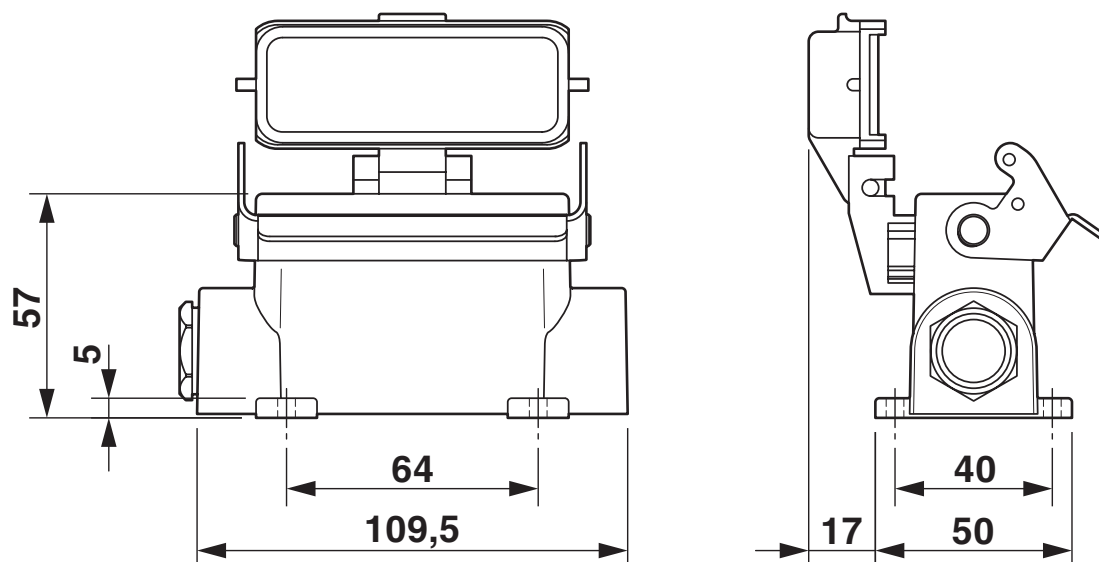
1416378

<https://www.phoenixcontact.com/us/products/1416378>



Drawings

Dimensional drawing



Dimensional drawing

HC-D 25-SMLD-57/O1PG21 - Housing



1416378

<https://www.phoenixcontact.com/us/products/1416378>

Classifications

ECLASS

ECLASS-13.0	27440202
ECLASS-15.0	27440202

HC-D 25-SMLD-57/O1PG21 - Housing



1416378

<https://www.phoenixcontact.com/us/products/1416378>

Environmental product compliance

EU RoHS

Fulfills EU RoHS substance requirements	Yes, No exemptions
---	--------------------

China RoHS

Environment friendly use period (EFUP)	EFUP-E
	No hazardous substances above the limits

EU REACH SVHC

REACH candidate substance (CAS No.)	No substance above 0.1 wt%
-------------------------------------	----------------------------

Phoenix Contact 2026 © - all rights reserved
<https://www.phoenixcontact.com>

Phoenix Contact USA
586 Fulling Mill Road
Middletown, PA 17057, United States
(+717) 944-1300
info@phoenixcon.com