

HC-STA-B24PT-BWD-LT-M32-ELCAL - Connector set



1416352

<https://www.phoenixcontact.com/us/products/1416352>

Please be informed that the data shown in this PDF document is generated from our online catalog. Please find the complete data in the user documentation. Our general terms of use for downloads are valid.



Connector set, number of positions: 24, connection method: Push-in connection, connection cross section: AWG 26- 14, cable outlet: straight

Commercial data

Item number	1416352
Packing unit	1 pc
Minimum order quantity	1 pc
Sales key	BF63
Product key	AF7AFX
GTIN	4055626071237
Weight per piece (including packing)	727.1 g
Weight per piece (excluding packing)	725 g
Customs tariff number	85366990
Country of origin	CN

HC-STA-B24PT-BWD-LT-M32-ELCAL - Connector set



1416352

<https://www.phoenixcontact.com/us/products/1416352>

Set consists of

HC-B24-I-PT-F - Contact insert

1407735

<https://www.phoenixcontact.com/us/products/1407735>

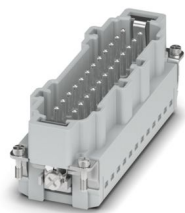


Contact insert, number of positions: 24+PE, size: B24, number of connections per position: 1, Socket, Push-in connection, 500 V, 16 A, 0.14 mm² ... 2.5 mm², application: Power

HC-B24-I-PT-M - Contact insert

1407736

<https://www.phoenixcontact.com/us/products/1407736>



Contact insert, number of positions: 24+PE, size: B24, number of connections per position: 1, Pin, Push-in connection, 500 V, 16 A, 0.14 mm² ... 2.5 mm², application: Power

HC-STA-B24PT-BWD-LT-M32-ELCAL - Connector set



1416352

<https://www.phoenixcontact.com/us/products/1416352>

HC-STA-B24-BWD-ELC-AL - Housing

1411331

<https://www.phoenixcontact.com/us/products/1411331>



HEAVYCON B24 panel mounting base, with double locking latch, with flat gasket, salt-water-resistant aluminum, conductive profile gasket

HC-STA-B24-HLFD-1TTM32-EL-AL - Housing

1412779

<https://www.phoenixcontact.com/us/products/1412779>



Sleeve housing B24, for double locking latch, material: Die-cast aluminum, salt water resistant, cable outlets: 1, straight, 1x M32, height: 60 mm, cable gland: none, Standard

HC-STA-B24PT-BWD-LT-M32-ELCAL - Connector set



1416352

<https://www.phoenixcontact.com/us/products/1416352>

G-INS-M32-M68N-NNES-S - Cable gland

1411166

<https://www.phoenixcontact.com/us/products/1411166>



Cable gland, material for screw connection: Brass, nickel-plated, application: Standard, external cable diameter 15 mm ... 21 mm, shielding: no, connecting thread: M32 x 1.5, color: silver-colored, with O-ring

1416352

<https://www.phoenixcontact.com/us/products/1416352>

Technical data

Product properties

Product type	Connector set
Housing type	Complete housing
Series	HC-B
Application	Standard
Type	B24
Number of positions	24
Connection profile	24+PE
No. of cable outlets	1
Seal present	yes
Protective cover	no
Cable outlet	straight

Insulation characteristics

Overvoltage category	III
Degree of pollution	3

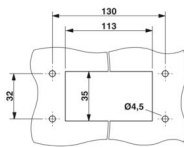
Electrical properties

Rated voltage (III/3)	500 V
Rated surge voltage	6 kV
Rated current	16 A
Nominal voltage U_N	500 V
Nominal current I_N	16 A

Connection data

Connection method	Push-in connection
Connection technology	Push-in connection
Conductor cross-section	0.14 mm ² ... 2.5 mm ² (with ferrule) 0.14 mm ² ... 2.5 mm ² (with ferrule)
Connection cross section AWG	26 ... 14
Stripping length	8 mm ... 10 mm

Dimensions

Dimensional drawing	
Width	53 mm
Height	90.5 mm
Length	140.5 mm
Drill hole distance, horizontal	130 mm

1416352

<https://www.phoenixcontact.com/us/products/1416352>

Drill hole distance, vertical	32 mm
Hole diameter	4.5 mm

Installation dimensions

Width of the assembly cutout	35 mm
Length of the assembly cutout	113 mm

Material specifications

Material Housing	Die-cast aluminum, saltwater-resistant
Flammability rating according to UL 94	V0
Seal material Profile gasket	NBR
Seal material Flat gasket	NBR
Contact material	Copper alloy
Contact surface material	Ag
Contact carrier material	PC
Locking latch material	PA

Cable/line

External cable diameter	15 mm ... 21 mm
	17 mm ... 21 mm (for UL 514 B)

Mechanical properties

Mechanical data

Locking type	Latch
Insertion/withdrawal cycles	≥ 500

Environmental and real-life conditions

Ambient conditions

Degree of protection	IP66
	IP67
Enclosure rating (NEMA)	4 (UL 50e)
	4X (UL 50e)
	12 (UL 50e)
Impact strength	IK09
Ambient temperature (operation)	-40 °C ... 100 °C

Mounting

Mounting type	Screw mounting
Assembly note	<p>Coding also using the CP-HC (1686478) coding profiles. HC-B6.. / HC-B10..for two coding profiles. HC-B16.. / HC-B24..for four coding profiles.</p> <p>Connectors may only be operated when there is no load/the power is switched off. Can be used for solid wires and stranded wires with ferrule.</p>

1416352

<https://www.phoenixcontact.com/us/products/1416352>

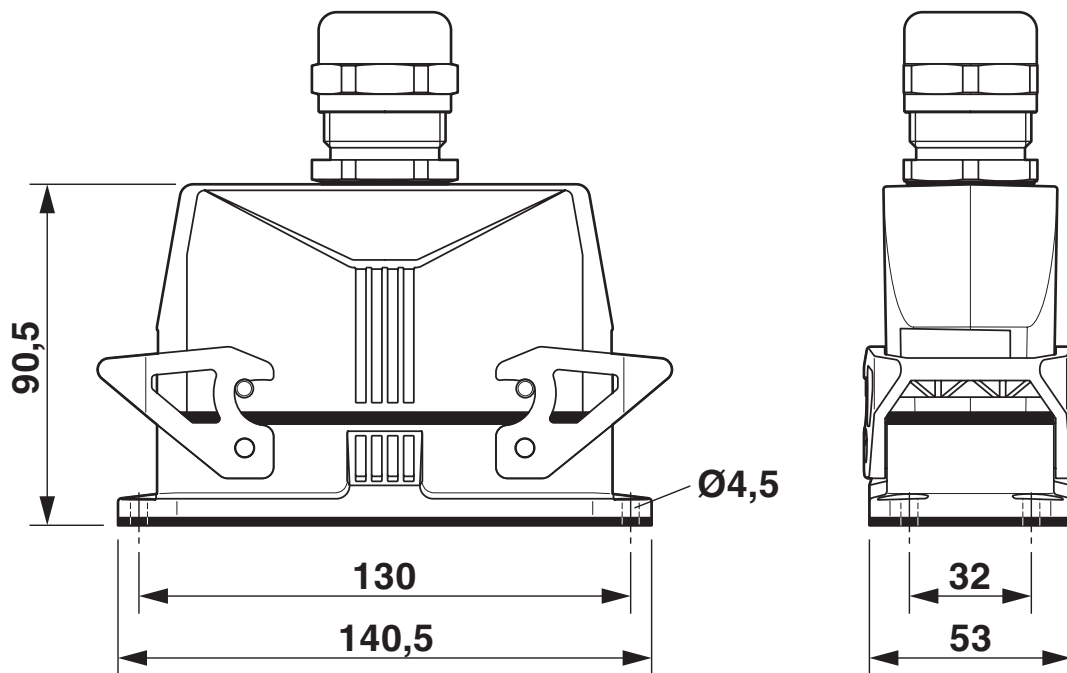
Drawings

Dimensional drawing



Mounting cutout

Dimensional drawing

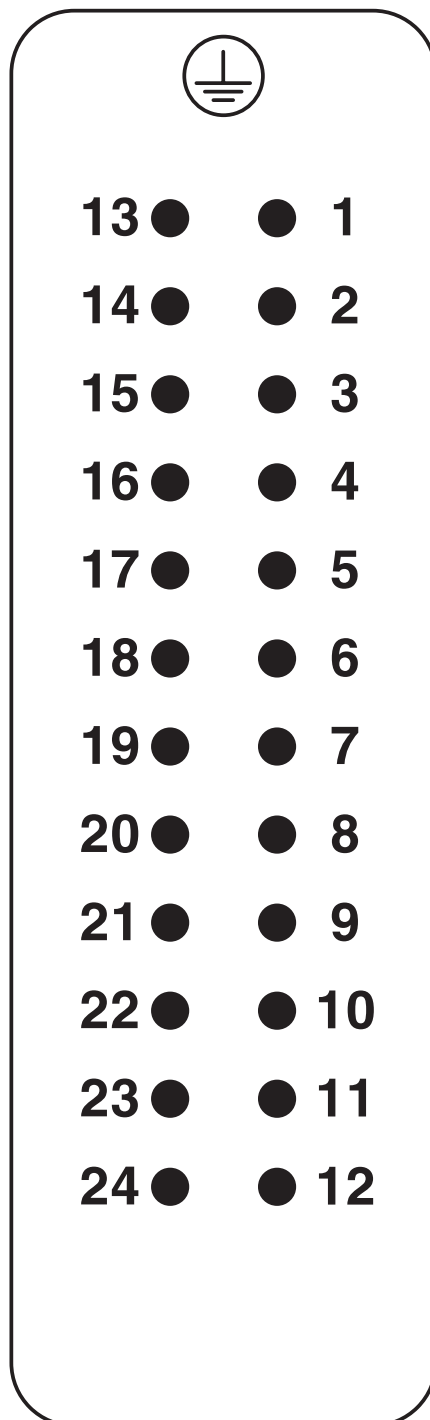


Dimensional drawing

1416352

<https://www.phoenixcontact.com/us/products/1416352>

Schematic diagram

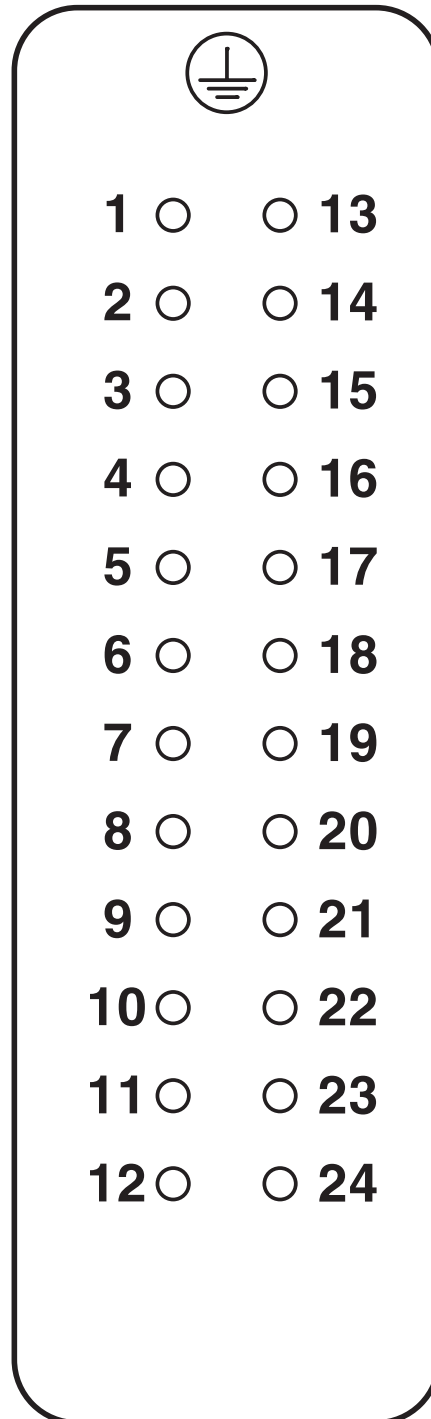


Pin assignment, connection side, pin

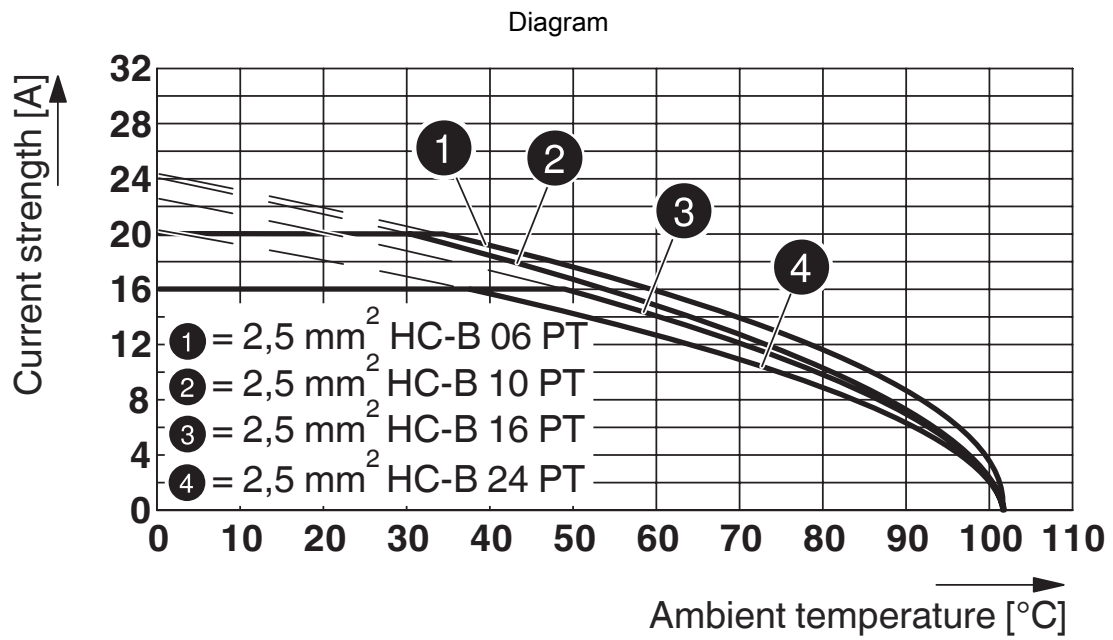
1416352

<https://www.phoenixcontact.com/us/products/1416352>

Schematic diagram



Pin assignment, connection side, socket



Derating diagram

1416352

<https://www.phoenixcontact.com/us/products/1416352>

Approvals

🔗 To download certificates, visit the product detail page: <https://www.phoenixcontact.com/us/products/1416352>

DNV

Approval ID: TAE000037S

ENEC

EAC

Approval ID: RU C-DE.AI30.B.01102

1416352

<https://www.phoenixcontact.com/us/products/1416352>

Classifications

ECLASS

ECLASS-13.0	27440113
ECLASS-15.0	27440113

ETIM

ETIM 10.0	EC002636
-----------	----------

UNSPSC

UNSPSC 21.0	39121400
-------------	----------

1416352

<https://www.phoenixcontact.com/us/products/1416352>

Environmental product compliance

EU RoHS

Fulfills EU RoHS substance requirements	Yes
Exemption	6(c)

China RoHS

Environment friendly use period (EFUP)	EFUP-50
	An article-related China RoHS declaration table can be found in the download area for the respective article under "Manufacturer declaration". For all articles with EFUP-E, no China RoHS declaration table issued and required.

EU REACH SVHC

REACH candidate substance (CAS No.)	Lead(CAS: 7439-92-1)
SCIP	5b982bab-a80b-4bf0-a492-df8d5bace9eb

Phoenix Contact 2026 © - all rights reserved

<https://www.phoenixcontact.com>

Phoenix Contact USA
 586 Fulling Mill Road
 Middletown, PA 17057, United States
 (+717) 944-1300
info@phoenixcon.com