

# H5S:GF - Housing

1415790

<https://www.phoenixcontact.com/us/products/1415790>



Please be informed that the data shown in this PDF document is generated from our online catalog. Please find the complete data in the user documentation. Our general terms of use for downloads are valid.



HEAVYPORT B48 panel mounting base, with single screw lock, with plastic protective cover, with stainless steel front plate connections 1x 120 V duplex outlet 5 A - GFCI 20 A

## Your advantages

- Good shielding in the event of electromagnetic interference

## Commercial data

Item number	1415790
Packing unit	1 pc
Minimum order quantity	1 pc
Sales key	BF69
Product key	AF7EGX
GTIN	4055626802527
Weight per piece (including packing)	22.22 g
Weight per piece (excluding packing)	22.22 g
Country of origin	US

## Technical data

### Product properties

Product type	Stackable housing set
Application	Standard
Type	B48
Protective cover	yes

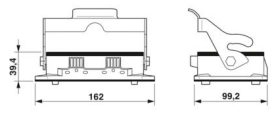
### Electrical properties

Rated voltage (III/3)	max. 125 V AC (AC outlet, UL 498, UL 943, CSA C22.2 No. 42)
Rated current	max. 1.5 A DC (RJ45)
	20 A (AC outlet, UL 498, UL 943, CSA C22.2 No. 42)

### Connection data

Tightening torque	1.5 ... 2 Nm
-------------------	--------------

### Dimensions

Dimensional drawing	
Width	99.2 mm
Height	39.4 mm
Length	162 mm

### Material specifications

Material	Stainless steel (Data front plate)
Seal material	NBR, conductive
	NBR, conductive
Housing material	Die-cast aluminum, salt water resistant
Housing surface material	uncoated
Material, protective cover	PA
Locking latch material	Stainless steel

### Connector

Contact insert design	with 1x 120 V AC outlet 5 A GFCI 20 A GFCI 20 A
-----------------------	---

### Environmental and real-life conditions

#### Ambient conditions

Degree of protection	IP65
Impact strength	IK08
Ambient temperature (operation)	-40 °C ... 125 °C (Housing)

# H5S:GF - Housing

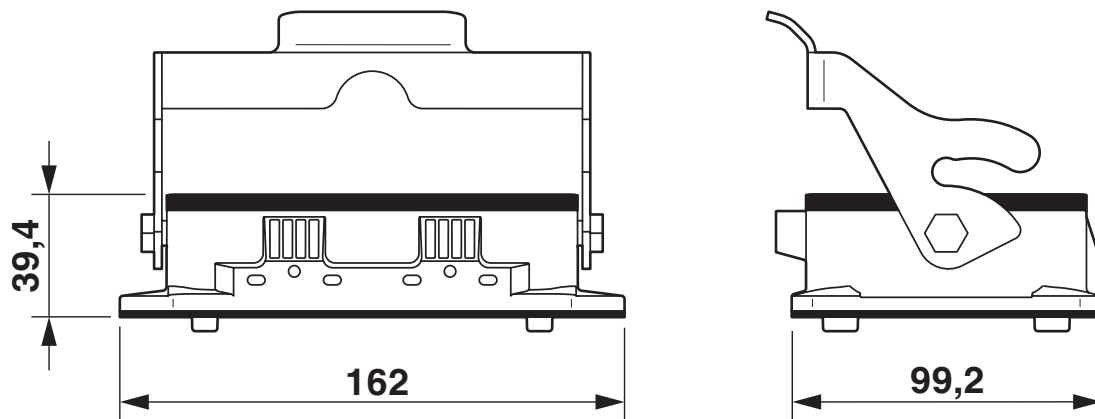
1415790

<https://www.phoenixcontact.com/us/products/1415790>



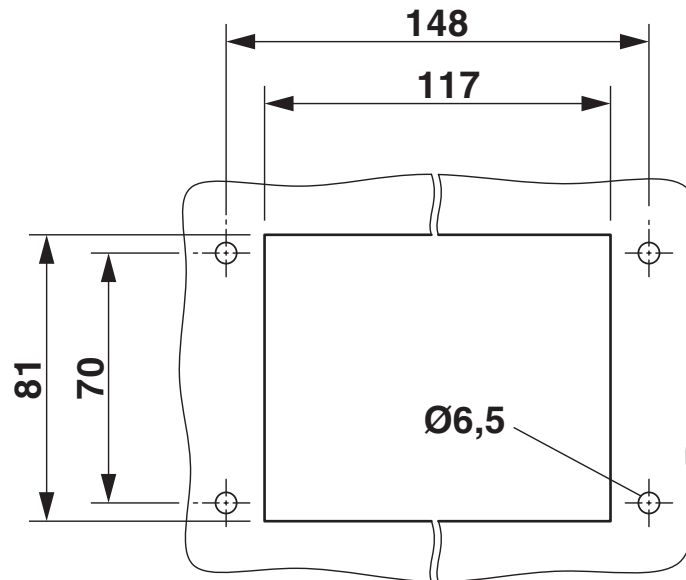
## Drawings

Dimensional drawing



Dimensional drawing

Dimensional drawing



Mounting cutout

# H5S:GF - Housing

1415790

<https://www.phoenixcontact.com/us/products/1415790>



## Classifications

### ECLASS

ECLASS-13.0	27440113
ECLASS-15.0	27440113

### ETIM

ETIM 10.0	EC002636
-----------	----------

# H5S:GF - Housing

1415790

<https://www.phoenixcontact.com/us/products/1415790>



## Environmental product compliance

### China RoHS

Environment friendly use period (EFUP)	EFUP-50
	An article-related China RoHS declaration table can be found in the download area for the respective article under "Manufacturer declaration". For all articles with EFUP-E, no China RoHS declaration table issued and required.

### EU REACH SVHC

REACH candidate substance (CAS No.)	No substance above 0.1 wt%
-------------------------------------	----------------------------

Phoenix Contact 2026 © - all rights reserved  
<https://www.phoenixcontact.com>

Phoenix Contact USA  
586 Fulling Mill Road  
Middletown, PA 17057, United States  
(+717) 944-1300  
[info@phoenixcon.com](mailto:info@phoenixcon.com)