

# H4X:2C5FF - Housing

1415764

<https://www.phoenixcontact.com/us/products/1415764>

Please be informed that the data shown in this PDF document is generated from our online catalog. Please find the complete data in the user documentation. Our general terms of use for downloads are valid.



HEAVYPORT B24 panel mounting base, with single locking latch, with plastic protective cover, with stainless steel front plate connections, 2x RJ45 CAT5e (female/female)

## Your advantages

- Good shielding in the event of electromagnetic interference

## Commercial data

Item number	1415764
Packing unit	1 pc
Minimum order quantity	1 pc
Sales key	BF69
Product key	AF7EGX
GTIN	4055626804385
Weight per piece (including packing)	22.22 g
Weight per piece (excluding packing)	22.22 g
Country of origin	US

# H4X:2C5FF - Housing

1415764

<https://www.phoenixcontact.com/us/products/1415764>

## Technical data

### Product properties

Product type	Stackable housing set
Housing type	Panel mounting base
Application	Standard
Type	B24
Protective cover	yes

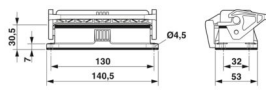
### Electrical properties

Rated current	max. 1.5 A DC (RJ45)
---------------	----------------------

### Connection data

Tightening torque	1.5 ... 2 Nm
-------------------	--------------

### Dimensions

Dimensional drawing	
Width	53 mm
Height	30.5 mm
Length	140.5 mm

### Installation dimensions

Width of the assembly cutout	35 mm
Length of the assembly cutout	113 mm

### Material specifications

Material	Stainless steel (Front plate)
Seal material	NBR, conductive NBR, conductive
Housing material	Die-cast aluminum, salt water resistant
Housing surface material	uncoated
Material, protective cover	PA
Locking latch material	Polyamide

### Connector

Contact insert design	with 2x RJ45 Cat 5E Ethernet Socket/socket, snap-in slot locking
-----------------------	--

### Environmental and real-life conditions

#### Ambient conditions

Degree of protection	IP66 IP67
----------------------	--------------

# H4X:2C5FF - Housing



1415764

<https://www.phoenixcontact.com/us/products/1415764>

Impact strength	IK08
Ambient temperature (operation)	-40 °C ... 125 °C (Housing)

# H4X:2C5FF - Housing

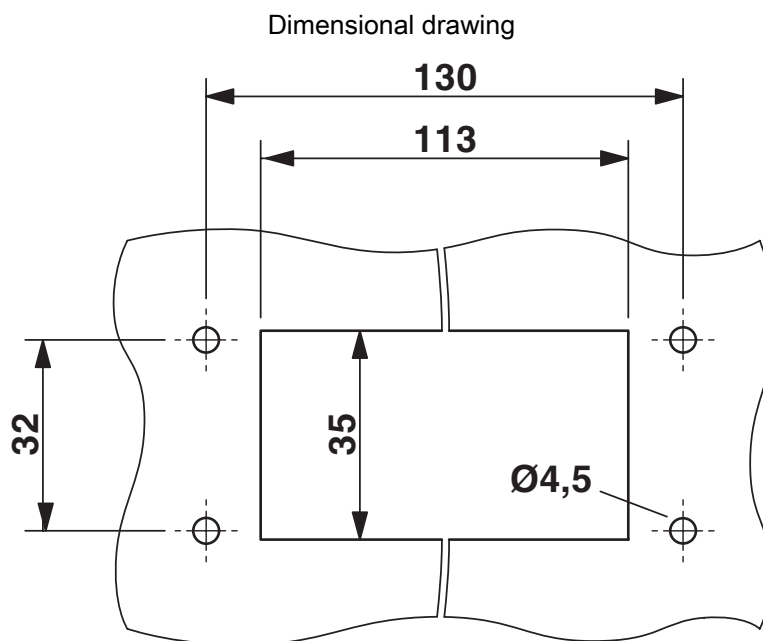
1415764

<https://www.phoenixcontact.com/us/products/1415764>

## Drawings



Dimensional drawing



Mounting cutout

# H4X:2C5FF - Housing



1415764

<https://www.phoenixcontact.com/us/products/1415764>

## Classifications

### ECLASS

ECLASS-15.0	27440113
ECLASS-13.0	27440113

### ETIM

ETIM 10.0	EC002636
-----------	----------

# H4X:2C5FF - Housing



1415764

<https://www.phoenixcontact.com/us/products/1415764>

## Environmental product compliance

### China RoHS

Environment friendly use period (EFUP)	EFUP-50
	An article-related China RoHS declaration table can be found in the download area for the respective article under "Manufacturer declaration". For all articles with EFUP-E, no China RoHS declaration table issued and required.

### EU REACH SVHC

REACH candidate substance (CAS No.)	No substance above 0.1 wt%
-------------------------------------	----------------------------

Phoenix Contact 2026 © - all rights reserved  
<https://www.phoenixcontact.com>

Phoenix Contact USA  
586 Fulling Mill Road  
Middletown, PA 17057, United States  
(+717) 944-1300  
[info@phoenixcon.com](mailto:info@phoenixcon.com)