

# G-INESR-M20-S68N-NEPDS-S - Cable gland



1415192

<https://www.phoenixcontact.com/us/products/1415192>

Please be informed that the data shown in this PDF document is generated from our online catalog. Please find the complete data in the user documentation. Our general terms of use for downloads are valid.



Cable gland, material for screw connection: Brass, nickel-plated, application: Standard, external cable diameter 6 mm ... 13 mm, shielding: no, connecting thread: M20 x 1.5, color: silver-colored, with external strain relief, with O-ring

## Your advantages

- Weatherproof sealing material
- Halogen-free

## Commercial data

Item number	1415192
Packing unit	5 pc
Minimum order quantity	5 pc
Sales key	BF68
Product key	AF7DEX
GTIN	4055626038209
Weight per piece (including packing)	74.42 g
Weight per piece (excluding packing)	71.46 g
Customs tariff number	74198090
Country of origin	DE

# G-INESR-M20-S68N-NEPDS-S - Cable gland



1415192

<https://www.phoenixcontact.com/us/products/1415192>

## Technical data

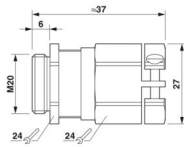
### Product properties

Product type	Cable screw gland
Application	Standard
No. of conductors	1
Manufacturer	WISKA
Manufacturer Designation	EMSKVZ 20
Shielded	no
Execution of the strain relief	B

### Characteristics

Category of shock impact	6
Design, Strain relief	B

### Dimensions

Dimensional drawing	
Length	37 mm
Length of the connecting thread	6 mm
Length without connecting thread	31 mm
Hole diameter	20.1 mm ... 20.2 mm
Wrench size, union nut	24 mm
Wrench size, support	24 mm
Clamping range of the strain relief clip	6.00 mm ... 13.00 mm
Hexagon angular dimension	27 mm
Thread type connection side	M20 x 1.5
Thread pitch	1.5 mm

### Connection data

Tightening torque	8 Nm (Union nut: EN 62444)
	8 Nm (Support: EN 62444)
	0.4 Nm (Screw for clip)

### Material specifications

Color	brass color
Material Compression ring	PA
Seal material O-ring	EPDM
Seal material Cable seal	EPDM
Material for screw connection	Brass, nickel-plated

# G-INESR-M20-S68N-NEPDS-S - Cable gland



1415192

<https://www.phoenixcontact.com/us/products/1415192>

## Cable/line

External cable diameter Cable 1	6 mm ... 13 mm
External cable diameter	7.5 mm ... 11.3 mm (for UL 514 B)
Halogen-free	yes

## Environmental and real-life conditions

### Ambient conditions

Degree of protection	IP68 (5 bar / 0.5 h)
	IP69 (DIN EN 60529 / IEC 60529)
Ambient temperature (operation)	-40 °C ... 100 °C (static)

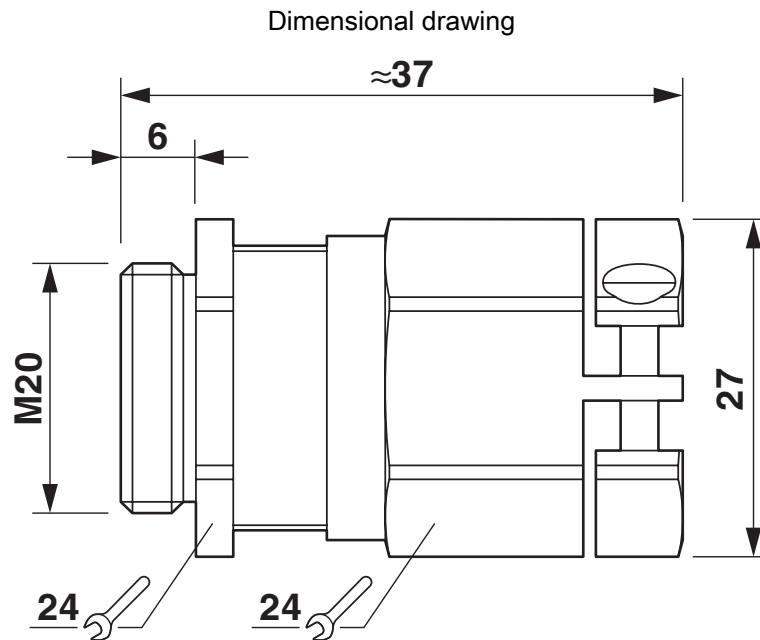
# G-INESR-M20-S68N-NEPDS-S - Cable gland



1415192

<https://www.phoenixcontact.com/us/products/1415192>

## Drawings



# G-INESR-M20-S68N-NEPDS-S - Cable gland



1415192

<https://www.phoenixcontact.com/us/products/1415192>

## Approvals

To download certificates, visit the product detail page: <https://www.phoenixcontact.com/us/products/1415192>



**cUL Recognized**  
Approval ID: E179850



**UL Recognized**  
Approval ID: E179850



**GOST-R**  
Approval ID: POCC DE.A\*98.H12052

# G-INESR-M20-S68N-NEPDS-S - Cable gland



1415192

<https://www.phoenixcontact.com/us/products/1415192>

## Classifications

### ECLASS

ECLASS-13.0	27140801
ECLASS-15.0	27140801

### ETIM

ETIM 10.0	EC000441
-----------	----------

### UNSPSC

UNSPSC 21.0	39121300
-------------	----------

1415192

<https://www.phoenixcontact.com/us/products/1415192>

## Environmental product compliance

### EU RoHS

Fulfills EU RoHS substance requirements	Yes
Exemption	6(c)

### China RoHS

Environment friendly use period (EFUP)	EFUP-50
	An article-related China RoHS declaration table can be found in the download area for the respective article under "Manufacturer declaration". For all articles with EFUP-E, no China RoHS declaration table issued and required.

### EU REACH SVHC

REACH candidate substance (CAS No.)	Lead(CAS: 7439-92-1)
SCIP	4dc99b49-5103-4bec-b549-fcc77b07643c

Phoenix Contact 2026 © - all rights reserved

<https://www.phoenixcontact.com>

Phoenix Contact USA  
586 Fulling Mill Road  
Middletown, PA 17057, United States  
(+717) 944-1300  
[info@phoenixcon.com](mailto:info@phoenixcon.com)