

# G-INB-M12-S68N-PEPDS-BK - Cable gland



1415177

<https://www.phoenixcontact.com/us/products/1415177>

Please be informed that the data shown in this PDF document is generated from our online catalog. Please find the complete data in the user documentation. Our general terms of use for downloads are valid.



Cable gland, material for screw connection: PA, application: Standard, external cable diameter 3 mm ... 7 mm, shielding: no, connecting thread: M12 x 1.5, color: jet black RAL 9005, with bend protection sleeve

## Your advantages

- Glow-wire test: 750°C
- Weatherproof sealing material
- Halogen-free

## Commercial data

Item number	1415177
Packing unit	10 pc
Minimum order quantity	10 pc
Sales key	BF68
Product key	AF7DEX
GTIN	4055626038087
Weight per piece (including packing)	10.432 g
Weight per piece (excluding packing)	9.76 g
Customs tariff number	39269097
Country of origin	DE

# G-INB-M12-S68N-PEPDS-BK - Cable gland



1415177

<https://www.phoenixcontact.com/us/products/1415177>

## Technical data

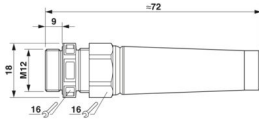
### Product properties

Product type	Cable screw gland
Application	Standard
No. of conductors	1
Manufacturer	WISKA
Manufacturer Designation	ESKVS 12
Shielded	no
Execution of the strain relief	A

### Characteristics

Category of shock impact	2
Design, Strain relief	A

### Dimensions

Dimensional drawing	
Length	72 mm
Length of the connecting thread	9 mm
Hole diameter	12.1 mm ... 12.2 mm
Wrench size, union nut	16 mm
Wrench size, support	16 mm
Hexagon angular dimension	18 mm
Thread type connection side	M12 x 1.5
Thread pitch	1.5 mm

### Connection data

Tightening torque	2 Nm (Union nut: EN 62444)
	2 Nm (Support: EN 62444)

### Material specifications

Color	black (RAL 9005)
Material	PA (Screw connection, halogen-free)
Seal material	EPDM
Glow wire ignition temperature GWIT according to EN 60695-2-13	750
Material for screw connection	PA

### Cable/line

# G-INB-M12-S68N-PEPDS-BK - Cable gland



1415177

<https://www.phoenixcontact.com/us/products/1415177>

External cable diameter Cable 1	3 mm ... 7 mm
External cable diameter	4.1 mm ... 6 mm (for UL 514 B)
Halogen-free	yes

## Environmental and real-life conditions

### Ambient conditions

Degree of protection	IP68 (5 bar / 0.5 h)
	IP69 (DIN EN 60529 / IEC 60529)
Ambient temperature (operation)	-40 °C ... 100 °C (static)

# G-INB-M12-S68N-PEPDS-BK - Cable gland

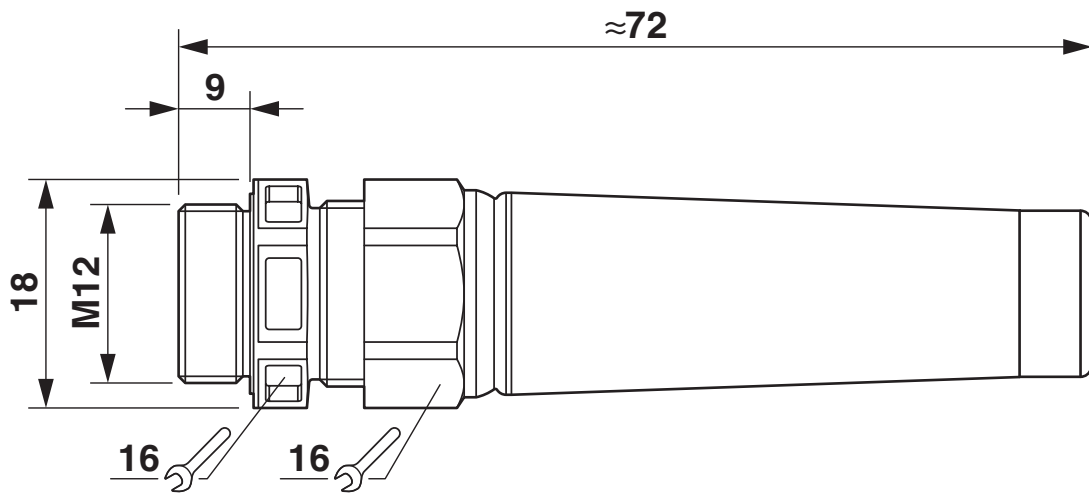


1415177

<https://www.phoenixcontact.com/us/products/1415177>

## Drawings

Dimensional drawing



# G-INB-M12-S68N-PEPDS-BK - Cable gland



1415177

<https://www.phoenixcontact.com/us/products/1415177>

## Approvals

🔗 To download certificates, visit the product detail page: <https://www.phoenixcontact.com/us/products/1415177>



**cUL Recognized**  
Approval ID: E179850



**UL Recognized**  
Approval ID: E179850



**GOST-R**  
Approval ID: POCC DE.A\*98.H12052

# G-INB-M12-S68N-PEPDS-BK - Cable gland



1415177

<https://www.phoenixcontact.com/us/products/1415177>

## Classifications

### ECLASS

ECLASS-13.0	27140801
ECLASS-15.0	27140801

### ETIM

ETIM 10.0	EC000441
-----------	----------

### UNSPSC

UNSPSC 21.0	39121300
-------------	----------

# G-INB-M12-S68N-PEPDS-BK - Cable gland



1415177

<https://www.phoenixcontact.com/us/products/1415177>

## Environmental product compliance

### EU RoHS

Fulfills EU RoHS substance requirements	Yes, No exemptions
-----------------------------------------	--------------------

### China RoHS

Environment friendly use period (EFUP)	EFUP-E
	No hazardous substances above the limits

### EU REACH SVHC

REACH candidate substance (CAS No.)	No substance above 0.1 wt%
-------------------------------------	----------------------------

### EF3.1 Climate Change

CO2e kg	0.063 kg CO2e
---------	---------------

Phoenix Contact 2026 © - all rights reserved  
<https://www.phoenixcontact.com>

Phoenix Contact USA  
586 Fulling Mill Road  
Middletown, PA 17057, United States  
(+717) 944-1300  
[info@phoenixcon.com](mailto:info@phoenixcon.com)