

QPD C 4PE1,5 1X9-14 BK - Conductor connector



1414741

<https://www.phoenixcontact.com/us/products/1414741>

Please be informed that the data shown in this PDF document is generated from our online catalog. Please find the complete data in the user documentation. Our general terms of use for downloads are valid.



Conductor connector, connection method: IDC connection, number of positions: 4+PE, 0.5 mm² .. 1.5 mm², 690 V, 17.5 A, PA, black, with one QUICKON nut, coding: Coding profile, external cable diameter: 10 mm ... 14 mm

Your advantages

- Innovative and time saving - QUICKON fast connection for time saving of up to 80 % for on-site connection
- Robust throughout: housing with IP68/IP69K and IK07 protection for a wide range of applications
- Safer connection with mechanical coding to protect against mismatching, and touch-proof protection in accordance with DIN EN 0105
- Easy and safe - with the cable connector, you can repair or extend cables quickly, in combination with the connector as well as the coupling connection

Commercial data

| | |
|--------------------------------------|---------------|
| Item number | 1414741 |
| Packing unit | 1 pc |
| Minimum order quantity | 1 pc |
| Sales key | BF50 |
| Product key | AF6CCA |
| GTIN | 4055626033563 |
| Weight per piece (including packing) | 46.2 g |
| Weight per piece (excluding packing) | 46.2 g |
| Customs tariff number | 85366990 |
| Country of origin | PL |

QPD C 4PE1,5 1X9-14 BK - Conductor connector



1414741

<https://www.phoenixcontact.com/us/products/1414741>

Technical data

Product properties

| | |
|------------------------------------|-----------------|
| Product type | Cable connector |
| Product family | QPD |
| Type | QPD 5x1,5 |
| Number of positions | 5 |
| Connection profile | 4+PE |
| Position marking | 1, 2, 3, N, PE |
| Number of connections per position | 1 |
| Coding | Coding profile |

Insulation characteristics

| | |
|----------------------|-----|
| Overvoltage category | III |
| Degree of pollution | 3 |

Dimensions

| | |
|---------------------|---------|
| Dimensional drawing | |
| Width | 30 mm |
| Height | 30 mm |
| Length | 79.4 mm |
| Diameter | 30 mm |

Connection data

Connection technology

| | |
|---|---------|
| Frequency of connections between conductors of the same cross section | max. 10 |
|---|---------|

Conductor connection

| | |
|-------------------------------|------|
| Tightening torque | 8 Nm |
| | 5 Nm |
| Tightening torque Union nut | 8 Nm |
| Tightening torque Locking nut | 5 Nm |

Electrical properties

| | |
|-----------------------------|--------|
| Rated surge voltage (II/2) | 8 kV |
| Rated surge voltage (III/2) | 8 kV |
| Rated surge voltage (III/3) | 6 kV |
| Rated current | 17.5 A |
| Contact resistance | < 3 mΩ |
| rated voltage (II/2) | 1000 V |

QPD C 4PE1,5 1X9-14 BK - Conductor connector



1414741

<https://www.phoenixcontact.com/us/products/1414741>

| | |
|-----------------------|----------|
| rated voltage (III/2) | 1000 V |
| Rated voltage (III/3) | 690 V |
| Nominal voltage U_N | 690 V AC |
| | 690 V DC |
| Nominal current I_N | 17.5 A |

Mechanical properties

Mechanical data

| | |
|-----------------------------|---------|
| Insertion/withdrawal cycles | max. 50 |
|-----------------------------|---------|

Material specifications

| | |
|--|-------------------|
| Color | black (RAL 9005) |
| Material Housing | PA |
| Material Contact | Cu |
| Material Contact surface | silver-plated |
| Flammability rating according to UL 94 | V0 |
| Material wire insulation | PVC/PE/TPE/rubber |

Cable/line

| | |
|---|------------------------------------|
| Structure of individual litz in acc. with VDE 0295 / smallest wire diameter | VDE 0295 class 1 to 6/min. 0.15 mm |
| External cable diameter | 10 mm ... 14 mm |
| Wire diameter including insulation | 1.6 mm ... 3 mm |
| Position marking | 1, 2, 3, N, PE |
| Halogen-free | yes |

Environmental and real-life conditions

Ambient conditions

| | |
|---|--|
| Degree of protection | IP66 |
| | IP68 |
| | IP69K |
| | Touch-proof when not plugged in (IP2X) |
| Impact strength | IK07 |
| Ambient temperature (operation) | -40 °C ... 100 °C |
| Temperature when conductor connected | -5 °C ... 50 °C |
| Ambient temperature (storage/transport) | -40 °C ... 100 °C |

QPD C 4PE1,5 1X9-14 BK - Conductor connector

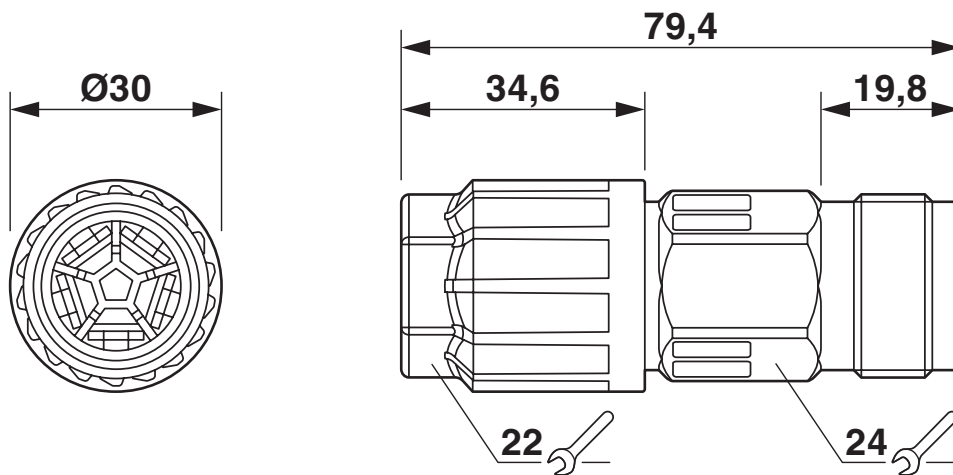


1414741

<https://www.phoenixcontact.com/us/products/1414741>

Drawings

Dimensional drawing



Dimensional drawing

QPD C 4PE1,5 1X9-14 BK - Conductor connector



1414741

<https://www.phoenixcontact.com/us/products/1414741>

Approvals

To download certificates, visit the product detail page: <https://www.phoenixcontact.com/us/products/1414741>



IECEE CB Scheme
Approval ID: DE1-65875



DNV GL
Approval ID: TAE00003J5



VDE Zeichengenehmigung
Approval ID: 40029149



UL Listed
Approval ID: E468743

| | Nominal voltage U_N | Nominal current I_N | Cross section AWG | Cross section mm^2 |
|-------|-----------------------|-----------------------|-------------------|-----------------------------|
| keine | | | | |
| | 600 V | 8 A | - 16 | - |



cUL Listed
Approval ID: E468743

| | Nominal voltage U_N | Nominal current I_N | Cross section AWG | Cross section mm^2 |
|-------|-----------------------|-----------------------|-------------------|-----------------------------|
| keine | | | | |
| | 600 V | 8 A | - 16 | - |

QPD C 4PE1,5 1X9-14 BK - Conductor connector



1414741

<https://www.phoenixcontact.com/us/products/1414741>

Classifications

ECLASS

| | |
|-------------|----------|
| ECLASS-13.0 | 27440605 |
| ECLASS-15.0 | 27440605 |

ETIM

| | |
|-----------|----------|
| ETIM 10.0 | EC002560 |
|-----------|----------|

UNSPSC

| | |
|-------------|----------|
| UNSPSC 21.0 | 39121400 |
|-------------|----------|

QPD C 4PE1,5 1X9-14 BK - Conductor connector



1414741

<https://www.phoenixcontact.com/us/products/1414741>

Environmental product compliance

EU RoHS

| | |
|---|--------------------|
| Fulfills EU RoHS substance requirements | Yes, No exemptions |
|---|--------------------|

China RoHS

| | |
|--|--|
| Environment friendly use period (EFUP) | EFUP-E |
| | No hazardous substances above the limits |

EU REACH SVHC

| | |
|-------------------------------------|----------------------------|
| REACH candidate substance (CAS No.) | No substance above 0.1 wt% |
|-------------------------------------|----------------------------|

EF3.1 Climate Change

| | |
|---------|--------------|
| CO2e kg | 0.32 kg CO2e |
|---------|--------------|

Phoenix Contact 2026 © - all rights reserved
<https://www.phoenixcontact.com>

Phoenix Contact USA
586 Fulling Mill Road
Middletown, PA 17057, United States
(+717) 944-1300
info@phoenixcon.com