

CP-QPD 3/4X1,5 - Coding profile

1414729

<https://www.phoenixcontact.com/us/products/1414729>

Please be informed that the data shown in this PDF document is generated from our online catalog. Please find the complete data in the user documentation. Our general terms of use for downloads are valid.



Coding profile red, for pushing into the QUICKON dome and connector, can be positioned in 90° steps.

Commercial data

Item number	1414729
Packing unit	10 pc
Minimum order quantity	10 pc
Sales key	BF50
Product key	AF6ZWX
GTIN	4055626033198
Weight per piece (including packing)	0.35 g
Weight per piece (excluding packing)	0.32 g
Customs tariff number	39269097
Country of origin	DE

CP-QPD 3/4X1,5 - Coding profile



1414729

<https://www.phoenixcontact.com/us/products/1414729>

Technical data

Product properties

Product type	Coding element
Product family	QPD

Material specifications

Color	red (RAL 3001)
Material	PA
Flammability rating according to UL 94	V0

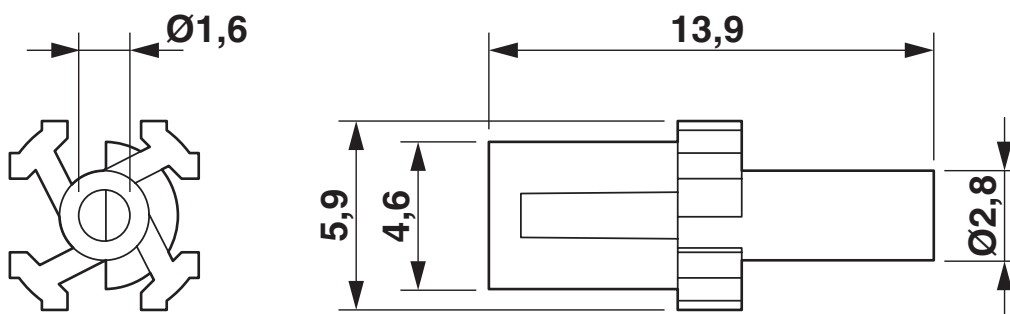
CP-QPD 3/4X1,5 - Coding profile

1414729

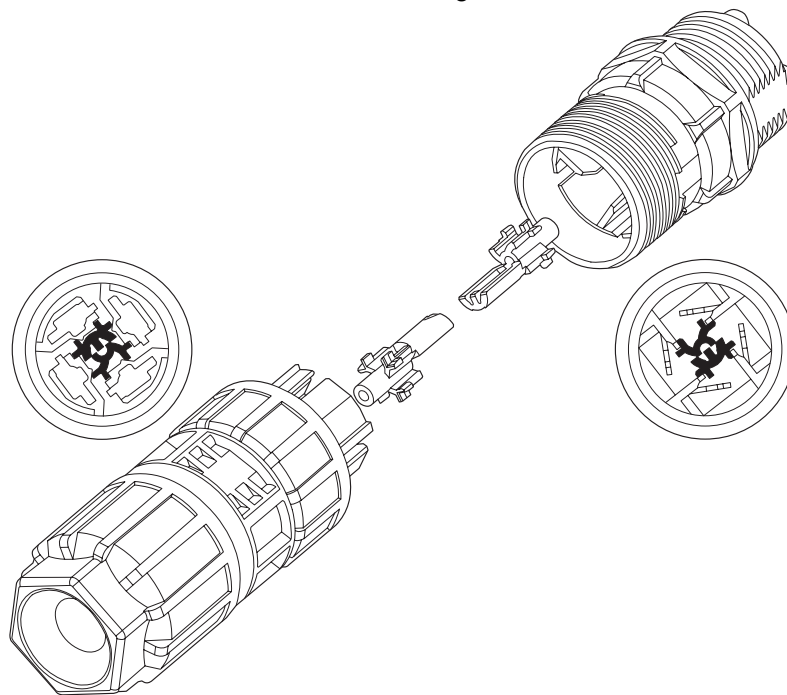
<https://www.phoenixcontact.com/us/products/1414729>

Drawings

Dimensional drawing



Schematic diagram



Coding of the QUICKON plug-in connection

CP-QPD 3/4X1,5 - Coding profile



1414729

<https://www.phoenixcontact.com/us/products/1414729>

Classifications

ECLASS

ECLASS-13.0	27440203
ECLASS-15.0	27440203

ETIM

ETIM 10.0	EC002311
-----------	----------

UNSPSC

UNSPSC 21.0	39121400
-------------	----------

CP-QPD 3/4X1,5 - Coding profile



1414729

<https://www.phoenixcontact.com/us/products/1414729>

Environmental product compliance

EU RoHS

Fulfills EU RoHS substance requirements	Yes, No exemptions
---	--------------------

China RoHS

Environment friendly use period (EFUP)	EFUP-E
	No hazardous substances above the limits

EU REACH SVHC

REACH candidate substance (CAS No.)	No substance above 0.1 wt%
-------------------------------------	----------------------------

EF3.1 Climate Change

CO2e kg	0.002 kg CO2e
---------	---------------

Phoenix Contact 2026 © - all rights reserved
<https://www.phoenixcontact.com>

Phoenix Contact USA
586 Fulling Mill Road
Middletown, PA 17057, United States
(+717) 944-1300
info@phoenixcon.com