

# QPD QSK BK 5X1,5 FS - Protective cap



1414728

<https://www.phoenixcontact.com/us/products/1414728>

Please be informed that the data shown in this PDF document is generated from our online catalog. Please find the complete data in the user documentation. Our general terms of use for downloads are valid.

Protective cap, plastic, for QUICKON connection, black, with retaining cord, IP68



## Commercial data

Item number	1414728
Packing unit	1 pc
Minimum order quantity	1 pc
Sales key	BF50
Product key	AF6ZBX
GTIN	4055626033129
Weight per piece (including packing)	10.9 g
Weight per piece (excluding packing)	10.5 g
Customs tariff number	39269097
Country of origin	PL

# QPD QSK BK 5X1,5 FS - Protective cap

1414728

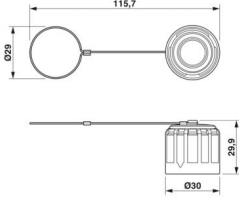
<https://www.phoenixcontact.com/us/products/1414728>

## Technical data

### Product properties

Product type	Protective cap
Product family	QPD
Type	QPD
Retaining cord present	yes
Seal present	yes

### Dimensions

Dimensional drawing	
Width	30.4 mm
Height	29.9 mm
Length	30.4 mm
Diameter	29 mm (Retaining cord eyelet)

### Material specifications

Color	black (RAL 9005)
Material Protective cap	PBT
Flammability rating according to UL 94	V0

### Environmental and real-life conditions

#### Ambient conditions

Degree of protection	IP66
	IP68 (2 m / 24 h)
	IP69K
Ambient temperature (operation)	-40 °C ... 100 °C
Ambient temperature (storage/transport)	-40 °C ... 100 °C

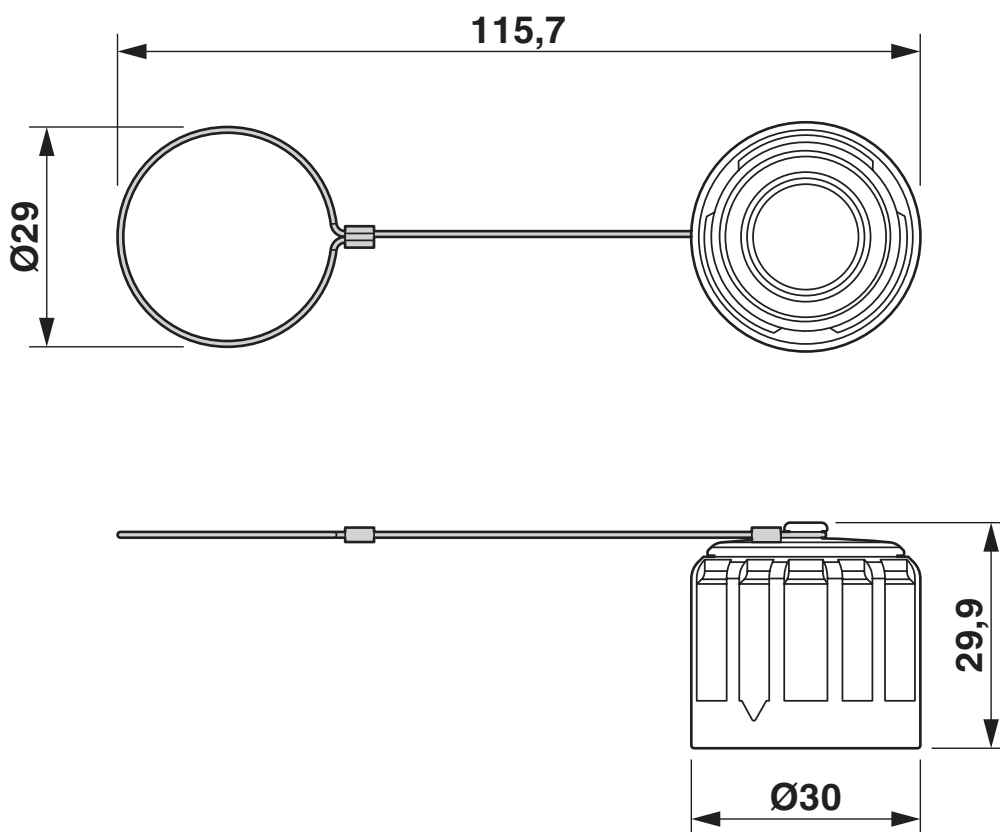
# QPD QSK BK 5X1,5 FS - Protective cap

1414728

<https://www.phoenixcontact.com/us/products/1414728>

## Drawings

Dimensional drawing



# QPD QSK BK 5X1,5 FS - Protective cap



1414728

<https://www.phoenixcontact.com/us/products/1414728>

## Approvals

To download certificates, visit the product detail page: <https://www.phoenixcontact.com/us/products/1414728>



**DNV GL**

Approval ID: TAE00003J5

# QPD QSK BK 5X1,5 FS - Protective cap



1414728

<https://www.phoenixcontact.com/us/products/1414728>

## Classifications

### ECLASS

ECLASS-13.0	27440208
ECLASS-15.0	27440208

### ETIM

ETIM 10.0	EC002314
-----------	----------

### UNSPSC

UNSPSC 21.0	39121400
-------------	----------

# QPD QSK BK 5X1,5 FS - Protective cap



1414728

<https://www.phoenixcontact.com/us/products/1414728>

## Environmental product compliance

### EU RoHS

Fulfills EU RoHS substance requirements	Yes, No exemptions
---	--------------------

### China RoHS

Environment friendly use period (EFUP)	EFUP-E
	No hazardous substances above the limits

### EU REACH SVHC

REACH candidate substance (CAS No.)	No substance above 0.1 wt%
-------------------------------------	----------------------------

Phoenix Contact 2026 © - all rights reserved  
<https://www.phoenixcontact.com>

Phoenix Contact USA  
586 Fulling Mill Road  
Middletown, PA 17057, United States  
(+717) 944-1300  
[info@phoenixcon.com](mailto:info@phoenixcon.com)