

# HC-B16-HCLWS-PLR-BK - Protective cover



1414636

<https://www.phoenixcontact.com/us/products/1414636>

Please be informed that the data shown in this PDF document is generated from our online catalog. Please find the complete data in the user documentation. Our general terms of use for downloads are valid.



Protective cover B16, with single locking latch, protective cover material: PA, height: 21.6 mm, seal: yes

## Commercial data

Item number	1414636
Packing unit	10 pc
Minimum order quantity	1 pc
Sales key	BF66
Product key	AF7BZX
GTIN	4055626131306
Weight per piece (including packing)	63.9 g
Weight per piece (excluding packing)	61 g
Customs tariff number	85389099
Country of origin	PL

# HC-B16-HCLWS-PLR-BK - Protective cover



1414636

<https://www.phoenixcontact.com/us/products/1414636>

## Technical data

### Product properties

Product type	Protective cover
Housing type	Protective cover
Type	B16
Seal present	yes

### Dimensions

Dimensional drawing	
Width	43 mm
Height	21.6 mm
Length	93.5 mm
Diameter	30 mm

### Material specifications

Material Protective cover	PA
Flammability rating according to UL 94	HB
Seal material	NBR
Material, protective cover	PA

### Mechanical properties

#### Mechanical data

Locking type	Latch
--------------	-------

### Environmental and real-life conditions

#### Ambient conditions

Degree of protection	IP66
Ambient temperature (operation)	-20 °C ... 100 °C

### Mounting

Assembly note	Plastic protective cover for short-term protection
---------------	--

# HC-B16-HCLWS-PLR-BK - Protective cover

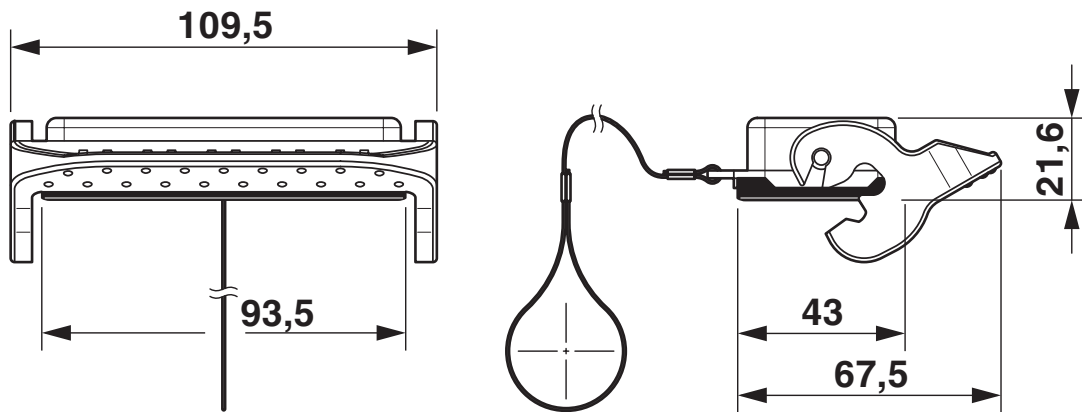


1414636

<https://www.phoenixcontact.com/us/products/1414636>

## Drawings

Dimensional drawing



Dimensional drawing

# HC-B16-HCLWS-PLR-BK - Protective cover



1414636

<https://www.phoenixcontact.com/us/products/1414636>

## Classifications

### ECLASS

ECLASS-13.0

27440208

### UNSPSC

UNSPSC 21.0

39121400

# HC-B16-HCLWS-PLR-BK - Protective cover



1414636

<https://www.phoenixcontact.com/us/products/1414636>

## Environmental product compliance

### EU RoHS

Fulfills EU RoHS substance requirements	Yes, No exemptions
---	--------------------

### China RoHS

Environment friendly use period (EFUP)	EFUP-E
	No hazardous substances above the limits

### EU REACH SVHC

REACH candidate substance (CAS No.)	No substance above 0.1 wt%
-------------------------------------	----------------------------

Phoenix Contact 2026 © - all rights reserved  
<https://www.phoenixcontact.com>

Phoenix Contact USA  
586 Fulling Mill Road  
Middletown, PA 17057, United States  
(+717) 944-1300  
[info@phoenixcon.com](mailto:info@phoenixcon.com)