

# SACC-M12FSX-8QO SH PN - Data connector



1414587

<https://www.phoenixcontact.com/us/products/1414587>

Please be informed that the data shown in this PDF document is generated from our online catalog. Please find the complete data in the user documentation. Our general terms of use for downloads are valid.



Data connector, PROFINET CAT6<sub>A</sub> (10 Gbps), 8-position, halogen-free, shielded, Socket straight M12, coding: X, Insulation displacement connection, knurl material: Zinc die-cast, nickel-plated, external cable diameter 5 mm ... 9.7 mm

## Your advantages

- Safe use in the field, thanks to a high degree of protection
- Insulation displacement connection: innovative and time-saving assembly without stripping the single wire
- Reliable signal transmission – 360° shielding in environments with electromagnetic interference

## Commercial data

Item number	1414587
Packing unit	1 pc
Minimum order quantity	1 pc
Sales key	BF31
Product key	AF2CDN
GTIN	4055626029245
Weight per piece (including packing)	47 g
Weight per piece (excluding packing)	47.4 g
Customs tariff number	85366990
Country of origin	DE

## Technical data

### Notes

Assembly note	<b>NOTE:</b> Observe the permissible bending radii when routing cables, since the degree of protection may be at risk if the bending forces are too high. Reduce mechanical loads upstream of the connector, e.g., by using cable ties.
---------------	---

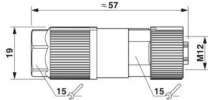
### Product properties

Product type	Circular connector (cable-side)
Application	Data
Sensor type	PROFINET
Number of positions	8
No. of cable outlets	1
Shielded	yes
Coding	X
Cable outlet	straight

### Insulation characteristics

Overvoltage category	II
Degree of pollution	3

### Dimensions

Dimensional drawing	
Length	57 mm
Wrench size, union nut	15 mm

### External dimensions

Outside diameter	5 mm ... 9.7 mm
------------------	-----------------

### Housing

Diameter housing	19 mm
------------------	-------

### Material specifications

Flammability rating according to UL 94	V0
Seal material	NBR
Material of grip body	Zinc die-cast, nickel-plated
Contact material	CuSn
Contact surface material	Ni/Au
Contact carrier material	PA 6.6
Material for screw connection	Zinc die-cast, nickel-plated
Standards/regulations	PA 6.6

# SACC-M12FSX-8QO SH PN - Data connector



1414587

<https://www.phoenixcontact.com/us/products/1414587>

Wire insulation material	PVC / PE / PP / rubber
--------------------------	------------------------

## Connection data

### Conductor connection

Connection method	Insulation displacement connection
Connection cross section	0.25 mm <sup>2</sup> ... 0.5 mm <sup>2</sup> (flexible)
	0.25 mm <sup>2</sup> ... 0.5 mm <sup>2</sup> (solid)
Connection cross section AWG	24 ... 20 (flexible)
	24 ... 20 (solid)
Tightening torque	M12 knurl
	5 Nm (Pressure nut)

### Connection assignment

Contact   Color (signal designation)   Contact (optional)	1 = YE
	2 = OG
	3 = WH
	4 = BU

## Electrical properties

Rated surge voltage	0.8 kV
Insulation resistance	≥ 100 MΩ
Nominal voltage U <sub>N</sub>	48 V AC
	60 V DC
Nominal current I <sub>N</sub>	0.5 A
Transmission speed	10 Gbps

## Mechanical properties

### Mechanical data

Insertion/withdrawal cycles	≥ 100
-----------------------------	-------

## Connector

### Connection 1

Head design	Socket
Head cable outlet	straight
Head thread type	M12
Coding	X

## Cable/line

Signal type/category	PROFINET CAT6 <sub>A</sub> (IEC 11801), 10 Gbps
----------------------	---

## Environmental and real-life conditions

### Ambient conditions

Degree of protection	IP65
----------------------	------

# SACC-M12FSX-8QO SH PN - Data connector



1414587

<https://www.phoenixcontact.com/us/products/1414587>

	IP67
Ambient temperature (operation)	-40 °C ... 85 °C (Plug / socket)
Ambient temperature (assembly)	-5 °C ... 50 °C

## Standards and regulations

### Testing

Standards/regulations	PA 6.6: Fire protection in rail vehicles - requirement sets R22, R23, R24, and R26 acc. to DIN EN 45545-2 (Risk level HL1 - HL3)
Standard designation	M12 connector
Standards/specifications	according to IEC 61076-2-109
Standard designation	Shock, vibration
Standards/specifications	EN 50155:2001

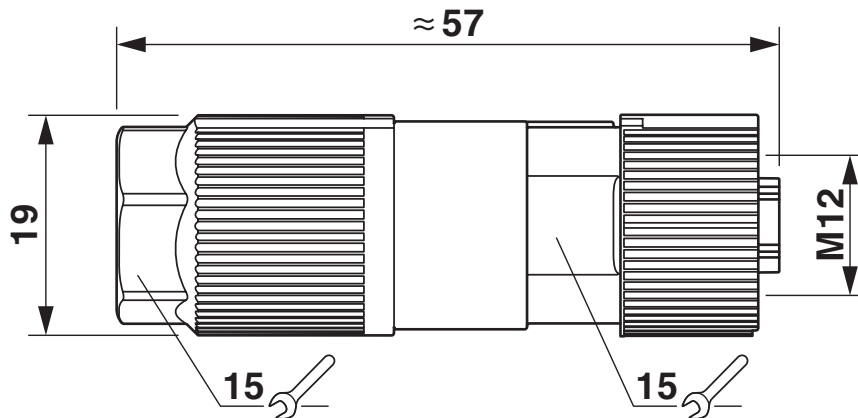
# SACC-M12FSX-8QO SH PN - Data connector

1414587

<https://www.phoenixcontact.com/us/products/1414587>

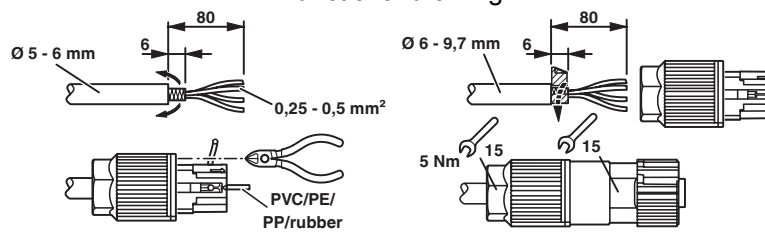
## Drawings

Dimensional drawing



M12 x 1 socket, straight, shielded

Functional drawing

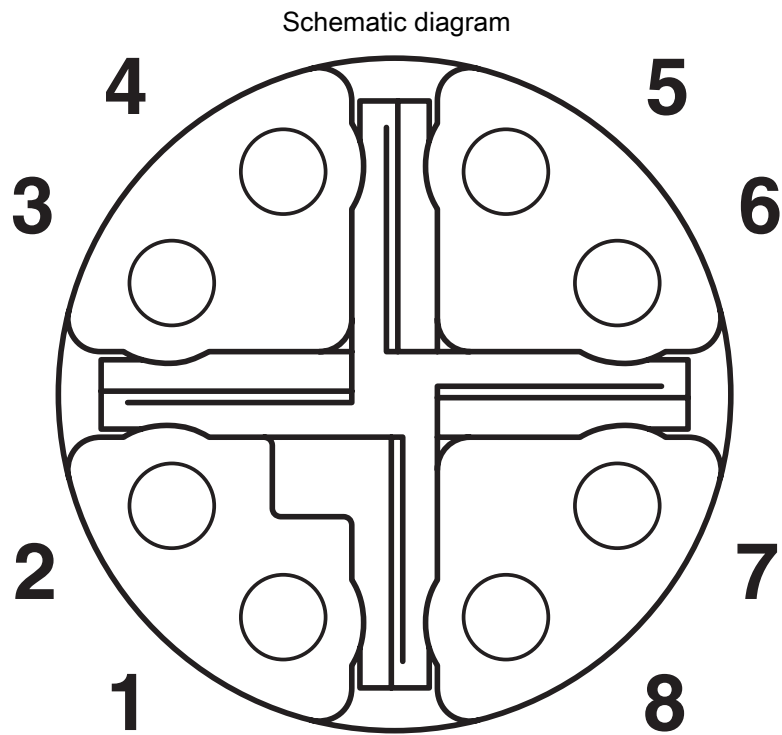


# SACC-M12FSX-8QO SH PN - Data connector



1414587

<https://www.phoenixcontact.com/us/products/1414587>



M12 socket pin assignment, 8-pos, view of socket side

# SACC-M12FSX-8QO SH PN - Data connector



1414587

<https://www.phoenixcontact.com/us/products/1414587>

## Approvals

To download certificates, visit the product detail page: <https://www.phoenixcontact.com/us/products/1414587>



**UL Listed**

Approval ID: E335024-20120831



**cUL Listed**

Approval ID: E335024-20120831

# SACC-M12FSX-8QO SH PN - Data connector



1414587

<https://www.phoenixcontact.com/us/products/1414587>

## Classifications

### ECLASS

ECLASS-13.0	27440116
ECLASS-15.0	27440116

### ETIM

ETIM 10.0	EC002635
-----------	----------

### UNSPSC

UNSPSC 21.0	39121400
-------------	----------

# SACC-M12FSX-8QO SH PN - Data connector



1414587

<https://www.phoenixcontact.com/us/products/1414587>

## Environmental product compliance

### EU RoHS

Fulfills EU RoHS substance requirements	Yes, No exemptions
---	--------------------

### China RoHS

Environment friendly use period (EFUP)	EFUP-E
	No hazardous substances above the limits

### EU REACH SVHC

REACH candidate substance (CAS No.)	No substance above 0.1 wt%
-------------------------------------	----------------------------

### EF3.1 Climate Change

CO2e kg	9.544 kg CO2e
---------	---------------

Phoenix Contact 2026 © - all rights reserved  
<https://www.phoenixcontact.com>

Phoenix Contact USA  
586 Fulling Mill Road  
Middletown, PA 17057, United States  
(+717) 944-1300  
[info@phoenixcon.com](mailto:info@phoenixcon.com)