

# CUC-V06-C1PBK-S/R4CEA:1 - RJ45 connector



1414410

<https://www.phoenixcontact.com/us/products/1414410>

Please be informed that the data shown in this PDF document is generated from our online catalog. Please find the complete data in the user documentation. Our general terms of use for downloads are valid.



RJ45 connector, design: RJ45, degree of protection: IP67, number of positions: 8, 10 Gbps, CAT6<sub>A</sub>, material: Plastic, connection method: Crimp connection, connection cross section: AWG 24- 27, cable outlet: straight, color: black, Ethernet/PROFINET

## Commercial data

Item number	1414410
Packing unit	1 pc
Minimum order quantity	1 pc
Sales key	AB17
Product key	ABNNAB
GTIN	4055626028323
Weight per piece (including packing)	18.4 g
Weight per piece (excluding packing)	16.324 g
Customs tariff number	85366990
Country of origin	DE

1414410

<https://www.phoenixcontact.com/us/products/1414410>

## Technical data

### Product properties

Product type	Data connector (cable side)
Type	RJ45
Sensor type	Ethernet/PROFINET
Number of positions	8
Connection profile	RJ45
No. of cable outlets	1
Shielded	no
Cable outlet	straight

### Insulation characteristics

Overvoltage category	I
Degree of pollution	2

### Electrical properties

Rated voltage (III/3)	72 V (DC)
Rated current	1 A
Frequency range	to 500 MHz
Nominal voltage $U_N$	72 V (DC)
Nominal current $I_N$	1.75 A
Transmission medium	Copper
Transmission speed	10 Gbps (500 MHz)
Transmission characteristics (category)	CAT6 <sub>A</sub>
Transmission speed	10 Gbps

### Connection data

#### Connection technology

Connection method	Crimp connection
Connection cross section AWG	24 ... 27 (flexible)
Conductor cross-section	0.1 mm <sup>2</sup> ... 0.2 mm <sup>2</sup> (flexible)

### Dimensions

Width	38.4 mm
Height	53 mm
Length	19.9 mm

### Material specifications

Color	black
Flammability rating according to UL 94	V0
Seal material, O-ring	NBR
Seal material	TPE
Housing material	Plastic

# CUC-V06-C1PBK-S/R4CEA:1 - RJ45 connector



1414410

<https://www.phoenixcontact.com/us/products/1414410>

Cable seal material	NBR
Contact material	Phosphor bronze
Contact surface material	Gold
Contact carrier material	PC
O-ring material	FPM

## Cable/line

External cable diameter	5 mm ... 8.5 mm
Cable cross section	0.1 mm <sup>2</sup>

## Mechanical properties

### Mechanical data

Insertion/withdrawal cycles	≥ 1000
-----------------------------	--------

# CUC-V06-C1PBK-S/R4CEA:1 - RJ45 connector

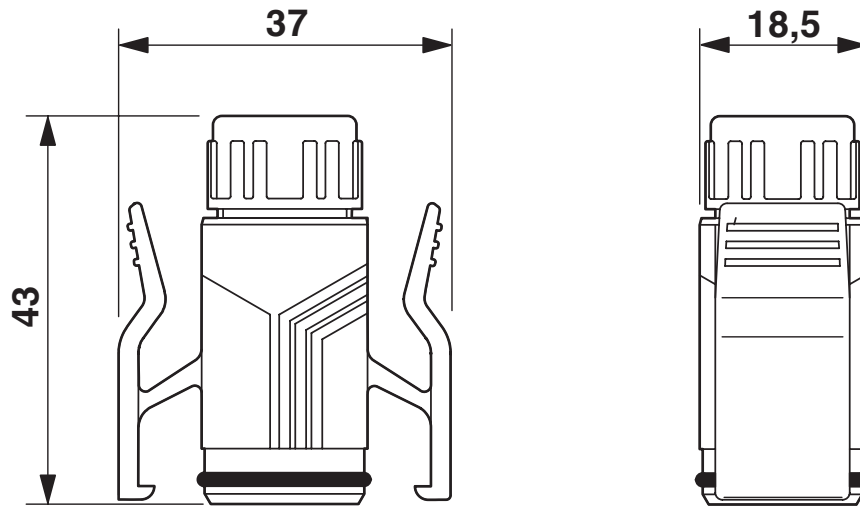


1414410

<https://www.phoenixcontact.com/us/products/1414410>

## Drawings

Dimensional drawing



RJ45 sleeve housing IP67

# CUC-V06-C1PBK-S/R4CEA:1 - RJ45 connector



1414410

<https://www.phoenixcontact.com/us/products/1414410>

## Classifications

### ECLASS

ECLASS-13.0	27440390
ECLASS-15.0	27440114

### ETIM

ETIM 10.0	EC002636
-----------	----------

### UNSPSC

UNSPSC 21.0	39121400
-------------	----------

1414410

<https://www.phoenixcontact.com/us/products/1414410>

## Environmental product compliance

### EU RoHS

Fulfills EU RoHS substance requirements	Yes, No exemptions
---	--------------------

### China RoHS

Environment friendly use period (EFUP)	EFUP-E
	No hazardous substances above the limits

### EU REACH SVHC

REACH candidate substance (CAS No.)	6,6'-di-tert-butyl-2,2'-methylenedi-p-cresol(CAS: 119-47-1)
SCIP	906cf7f2-b8b3-40bf-b5e6-8a4161715b63

Phoenix Contact 2026 © - all rights reserved  
<https://www.phoenixcontact.com>

Phoenix Contact USA  
586 Fulling Mill Road  
Middletown, PA 17057, United States  
(+717) 944-1300  
[info@phoenixcon.com](mailto:info@phoenixcon.com)