

CUC-V06-C1PGY-S/R4CE8:1 - RJ45 connector



1414383

<https://www.phoenixcontact.com/us/products/1414383>

Please be informed that the data shown in this PDF document is generated from our online catalog. Please find the complete data in the user documentation. Our general terms of use for downloads are valid.



RJ45 connector, design: RJ45, degree of protection: IP67, number of positions: 8, 1 Gbps, CAT6, material: Plastic, connection method: Crimp connection, connection cross section: AWG 27- 24, cable outlet: straight, color: gray, Ethernet/PROFINET

Commercial data

Item number	1414383
Packing unit	1 pc
Minimum order quantity	1 pc
Sales key	AB17
Product key	ABNNAB
GTIN	4055626025346
Weight per piece (including packing)	19.5 g
Weight per piece (excluding packing)	17.27 g
Customs tariff number	85366990
Country of origin	DE

1414383

<https://www.phoenixcontact.com/us/products/1414383>

Technical data

Product properties

Product type	Data connector (cable side)
Type	RJ45
Sensor type	Ethernet/PROFINET
Number of positions	8
Connection profile	RJ45
No. of cable outlets	1
Shielded	no
Cable outlet	straight

Insulation characteristics

Overvoltage category	I
Degree of pollution	2

Electrical properties

Rated voltage (III/3)	72 V (DC)
Rated current	1 A
Frequency range	to 250 MHz
Nominal voltage U_N	72 V (DC)
Nominal current I_N	1.75 A
Transmission medium	Copper
Transmission speed	1 Gbps (250 MHz)
Transmission characteristics (category)	CAT6
Transmission speed	1 Gbps

Connection data

Connection technology

Connection method	Crimp connection
Connection cross section AWG	27 ... 24 (flexible)
Conductor cross-section	0.1 mm ² ... 0.2 mm ² (flexible)

Dimensions

Width	38.4 mm
Height	19.9 mm
Length	53 mm

Material specifications

Color	gray
Flammability rating according to UL 94	V0
Seal material cable seal	TPE
Housing material	Plastic
Cable seal material	NBR

CUC-V06-C1PGY-S/R4CE8:1 - RJ45 connector



1414383

<https://www.phoenixcontact.com/us/products/1414383>

Contact material	Phosphor bronze
Contact surface material	Gold
Contact carrier material	PC
O-ring material	FPM

Cable/line

External cable diameter	5 mm ... 8.5 mm
Cable cross section	0.1 mm ²

Mechanical properties

Mechanical data

Insertion/withdrawal cycles	≥ 750
-----------------------------	-------

CUC-V06-C1PGY-S/R4CE8:1 - RJ45 connector

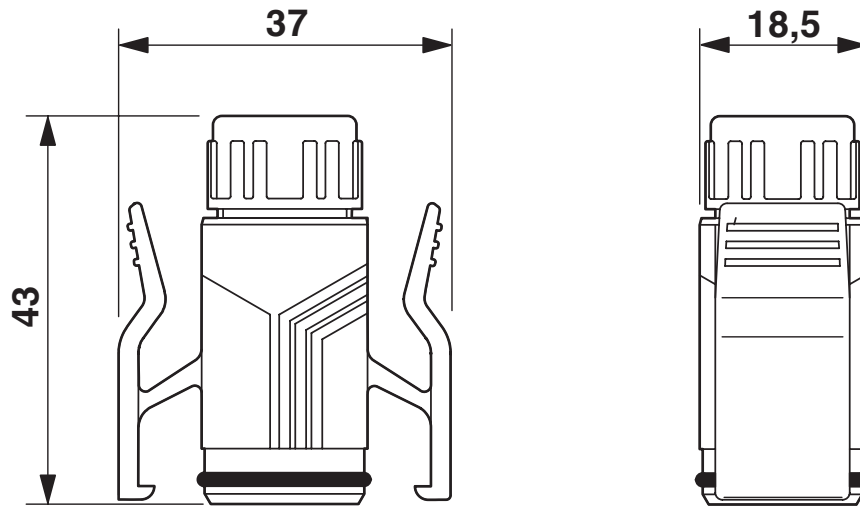


1414383

<https://www.phoenixcontact.com/us/products/1414383>

Drawings

Dimensional drawing



RJ45 sleeve housing IP67

CUC-V06-C1PGY-S/R4CE8:1 - RJ45 connector



1414383

<https://www.phoenixcontact.com/us/products/1414383>

Classifications

ECLASS

ECLASS-13.0	27440390
ECLASS-15.0	27440114

ETIM

ETIM 10.0	EC002636
-----------	----------

UNSPSC

UNSPSC 21.0	39121400
-------------	----------

1414383

<https://www.phoenixcontact.com/us/products/1414383>

Environmental product compliance

EU RoHS

Fulfills EU RoHS substance requirements	Yes, No exemptions
---	--------------------

China RoHS

Environment friendly use period (EFUP)	EFUP-E
	No hazardous substances above the limits

EU REACH SVHC

REACH candidate substance (CAS No.)	6,6'-di-tert-butyl-2,2'-methylenedi-p-cresol(CAS: 119-47-1)
SCIP	2204a4ca-78a0-44aa-a30d-de720a2b8ca3

Phoenix Contact 2026 © - all rights reserved
<https://www.phoenixcontact.com>

Phoenix Contact USA
586 Fulling Mill Road
Middletown, PA 17057, United States
(+717) 944-1300
info@phoenixcon.com