

HC-B-TA-NPT-1/1-ER-AL - Adapter

1414266

<https://www.phoenixcontact.com/us/products/1414266>

Please be informed that the data shown in this PDF document is generated from our online catalog. Please find the complete data in the user documentation. Our general terms of use for downloads are valid.

Adapter, aluminum, for EVO housing, NPT-1, 1" thread



Commercial data

Item number	1414266
Packing unit	1 pc
Minimum order quantity	1 pc
Sales key	BF57
Product key	AF7APM
GTIN	4055626022284
Weight per piece (including packing)	104.8 g
Weight per piece (excluding packing)	103.9 g
Customs tariff number	85389099
Country of origin	DE

HC-B-TA-NPT-1/1-ER-AL - Adapter



1414266

<https://www.phoenixcontact.com/us/products/1414266>

Technical data

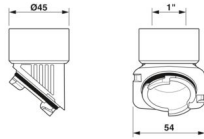
Product properties

Product type	Thread adapter
Application	Bayonet B - NPT

Connection data

Tightening torque	... 15 Nm
-------------------	-----------

Dimensions

Dimensional drawing	
Thread type on seal side	1"-NPT

Internal dimensions

Length of internal thread	18 mm
---------------------------	-------

Material specifications

Color	aluminum color
Material	Die-cast aluminum, corrosion-resistant
Seal material	NBR
Housing material	Die-cast aluminum, corrosion resistant

Environmental and real-life conditions

Ambient conditions

Degree of protection	IP66 IP67
Enclosure rating (NEMA)	4 (UL 50e) 4X (UL 50e) 12 (UL 50e)
Ambient temperature (operation)	-40 °C ... 125 °C

HC-B-TA-NPT-1/1-ER-AL - Adapter

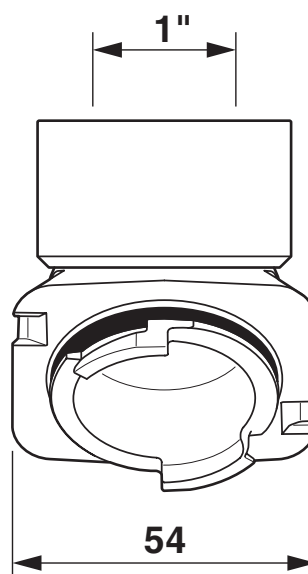
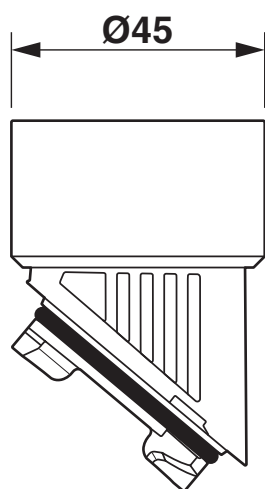
1414266

<https://www.phoenixcontact.com/us/products/1414266>



Drawings

Dimensional drawing



Dimensional drawing

HC-B-TA-NPT-1/1-ER-AL - Adapter



1414266

<https://www.phoenixcontact.com/us/products/1414266>

Approvals

To download certificates, visit the product detail page: <https://www.phoenixcontact.com/us/products/1414266>

DNV

Approval ID: TAE000037S



cUL Recognized

Approval ID: E255026



UL Recognized

Approval ID: E255026



EAC

Approval ID: RU C-DE.AI30.B.01102

HC-B-TA-NPT-1/1-ER-AL - Adapter



1414266

<https://www.phoenixcontact.com/us/products/1414266>

Classifications

ECLASS

ECLASS-13.0	27140801
ECLASS-15.0	27140801

ETIM

ETIM 10.0	EC000441
-----------	----------

UNSPSC

UNSPSC 21.0	39121400
-------------	----------

HC-B-TA-NPT-1/1-ER-AL - Adapter



1414266

<https://www.phoenixcontact.com/us/products/1414266>

Environmental product compliance

EU RoHS

Fulfills EU RoHS substance requirements	Yes, No exemptions
---	--------------------

China RoHS

Environment friendly use period (EFUP)	EFUP-E
	No hazardous substances above the limits

EU REACH SVHC

REACH candidate substance (CAS No.)	No substance above 0.1 wt%
-------------------------------------	----------------------------

Phoenix Contact 2026 © - all rights reserved
<https://www.phoenixcontact.com>

Phoenix Contact USA
586 Fulling Mill Road
Middletown, PA 17057, United States
(+717) 944-1300
info@phoenixcon.com