

HC-B-TA-NPT-1/2-PLR-BK - Adapter



1414251

<https://www.phoenixcontact.com/us/products/1414251>

Please be informed that the data shown in this PDF document is generated from our online catalog. Please find the complete data in the user documentation. Our general terms of use for downloads are valid.

Plastic thread adapter with bayonet lock, for EVO housing series B, NPT 1/2" thread



Commercial data

| | |
|--------------------------------------|---------------|
| Item number | 1414251 |
| Packing unit | 1 pc |
| Minimum order quantity | 1 pc |
| Sales key | BF57 |
| Product key | AF7APL |
| GTIN | 4055626022147 |
| Weight per piece (including packing) | 20.98 g |
| Weight per piece (excluding packing) | 20.85 g |
| Customs tariff number | 85389099 |
| Country of origin | PL |

HC-B-TA-NPT-1/2-PLR-BK - Adapter

1414251

<https://www.phoenixcontact.com/us/products/1414251>

Technical data

Product properties

| | |
|--------------|-----------------|
| Product type | Thread adapter |
| Application | Bayonet B - NPT |

Connection data

| | |
|-------------------|----------|
| Tightening torque | ... 8 Nm |
|-------------------|----------|

Dimensions

| | |
|--------------------------|--|
| Dimensional drawing |  |
| Thread type on seal side | 1/2-inch NPT |

Internal dimensions

| | |
|---------------------------|-------|
| Length of internal thread | 15 mm |
|---------------------------|-------|

Material specifications

| | |
|--|-----|
| Flammability rating according to UL 94 | V0 |
| Seal material | NBR |
| Housing material | PA |

Environmental and real-life conditions

Ambient conditions

| | |
|---------------------------------|-------------------|
| Degree of protection | IP66 |
| Ambient temperature (operation) | -40 °C ... 100 °C |

Mounting

| | |
|---------------|---|
| Assembly note | Bayonet locking max. 3x can be removed The plastic thread adapter does not establish an electrical connection between the cable gland and connector housing. For this reason, only plastic cable protection systems or plastic cable glands may be used. |
|---------------|---|

HC-B-TA-NPT-1/2-PLR-BK - Adapter

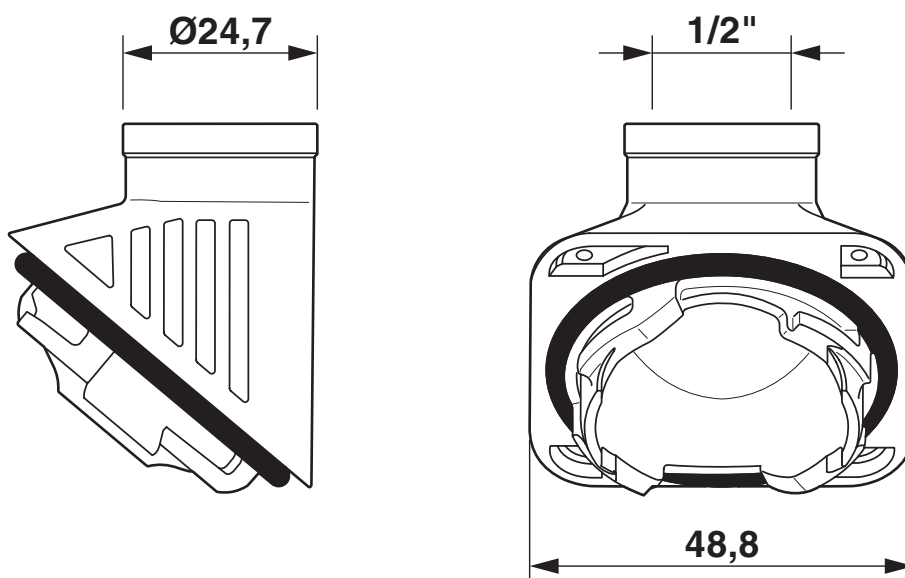


1414251

<https://www.phoenixcontact.com/us/products/1414251>

Drawings

Dimensional drawing



Dimensional drawing

HC-B-TA-NPT-1/2-PLR-BK - Adapter



1414251

<https://www.phoenixcontact.com/us/products/1414251>

Approvals

To download certificates, visit the product detail page: <https://www.phoenixcontact.com/us/products/1414251>

DNV

Approval ID: TAE000037S



cUL Recognized

Approval ID: E255026



UL Recognized

Approval ID: E255026



EAC

Approval ID: RU C-DE.AI30.B.01102

HC-B-TA-NPT-1/2-PLR-BK - Adapter



1414251

<https://www.phoenixcontact.com/us/products/1414251>

Classifications

ECLASS

| | |
|-------------|----------|
| ECLASS-13.0 | 27140801 |
| ECLASS-15.0 | 27140801 |

ETIM

| | |
|-----------|----------|
| ETIM 10.0 | EC000441 |
|-----------|----------|

UNSPSC

| | |
|-------------|----------|
| UNSPSC 21.0 | 39121400 |
|-------------|----------|

HC-B-TA-NPT-1/2-PLR-BK - Adapter



1414251

<https://www.phoenixcontact.com/us/products/1414251>

Environmental product compliance

EU RoHS

| | |
|---|--------------------|
| Fulfills EU RoHS substance requirements | Yes, No exemptions |
|---|--------------------|

China RoHS

| | |
|--|--|
| Environment friendly use period (EFUP) | EFUP-E |
| | No hazardous substances above the limits |

EU REACH SVHC

| | |
|-------------------------------------|----------------------------|
| REACH candidate substance (CAS No.) | No substance above 0.1 wt% |
|-------------------------------------|----------------------------|

EF3.1 Climate Change

| | |
|---------|---------------|
| CO2e kg | 0.246 kg CO2e |
|---------|---------------|

Phoenix Contact 2026 © - all rights reserved
<https://www.phoenixcontact.com>

Phoenix Contact USA
586 Fulling Mill Road
Middletown, PA 17057, United States
(+717) 944-1300
info@phoenixcon.com