

HC-HPR-B24-HHWH-1TTM32-EM-BK - Housing



1411888

<https://www.phoenixcontact.com/us/products/1411888>

Please be informed that the data shown in this PDF document is generated from our online catalog. Please find the complete data in the user documentation. Our general terms of use for downloads are valid.



HEAVYCON B24 sleeve housing, HPR series, with screw locking, with M32 thread, straight outlet, for increased environmental and EMC requirements

Your advantages

- Vibration and shock: IEC 61373/EN 50155, category 1, class 1B

Commercial data

Item number	1411888
Packing unit	1 pc
Minimum order quantity	1 pc
Sales key	BF60
Product key	AF7AAI
GTIN	4046356944571
Weight per piece (including packing)	743.6 g
Weight per piece (excluding packing)	728.6 g
Customs tariff number	85389099
Country of origin	CN

1411888

<https://www.phoenixcontact.com/us/products/1411888>

Technical data

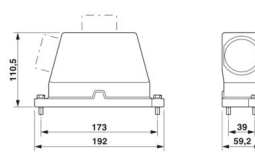
Notes

General	For contact inserts HC-B24, BB46, BBB64, D64, DD108, M
---------	--

Product properties

Product type	Housing with screw locking
Housing type	Sleeve housing
Product family	HC-HPR-B
Series	HPR-B24
Application	Railway applications
Type	B24
No. of cable outlets	1
Type of the screw connection	1x M32
Protective cover	no
Cable outlet	straight
Pg screw connection	none

Dimensions

Dimensional drawing	
Width	59.2 mm
Height	110.5 mm
Length	192 mm

Material specifications

Housing material	Die-cast aluminum
Housing surface material	Powder-coated, black
Locking latch material	Stainless steel

Environmental and real-life conditions

Ambient conditions

Degree of protection	IP66
	IP68 (0.5 bar / 24 h)
	IP69 (ISO 20653:2013-02)
Impact strength	IK09
Ambient temperature (operation)	-40 °C ... 125 °C

Mechanical properties

Mechanical data

HC-HPR-B24-HHWH-1TTM32-EM-BK - Housing



1411888

<https://www.phoenixcontact.com/us/products/1411888>

Type of the screw connection	1x M32
Locking type	Screw

Mounting

Assembly note	M6 locking screw, slotted hexagon head screw (SW10), tightening torque: 4 Nm
---------------	---

HC-HPR-B24-HHWH-1TTM32-EM-BK - Housing

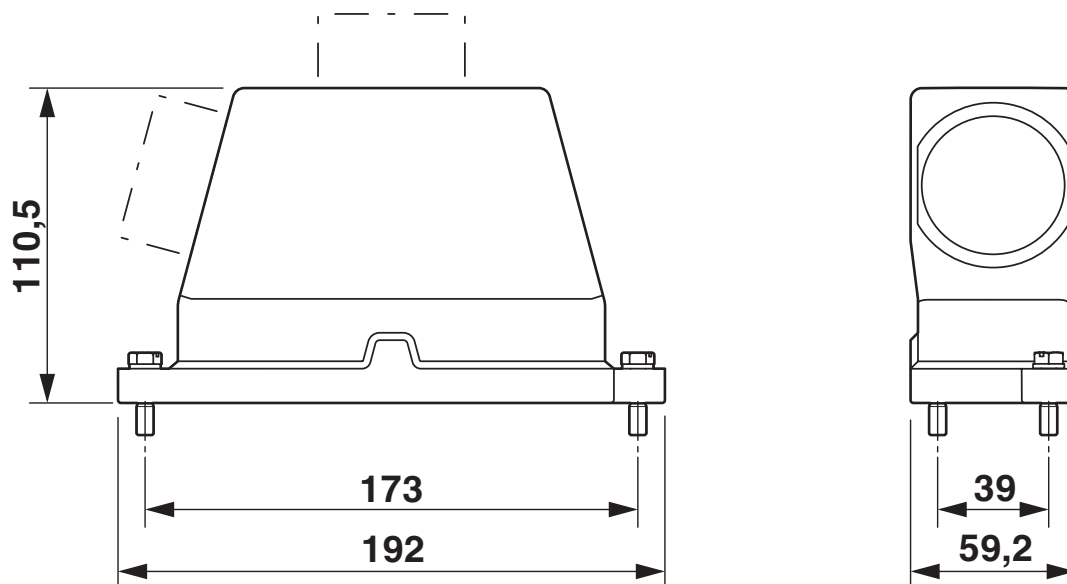


1411888

<https://www.phoenixcontact.com/us/products/1411888>

Drawings

Dimensional drawing



Dimensional drawing

1411888

<https://www.phoenixcontact.com/us/products/1411888>

Approvals

🔗 To download certificates, visit the product detail page: <https://www.phoenixcontact.com/us/products/1411888>

DNV

Approval ID: TAE000037S

ENEC

EAC

Approval ID: RU C-DE.AI30.B.01102

1411888

<https://www.phoenixcontact.com/us/products/1411888>

Classifications

ECLASS

ECLASS-13.0	27440202
ECLASS-15.0	27440202

ETIM

ETIM 10.0	EC000437
-----------	----------

UNSPSC

UNSPSC 21.0	31261500
-------------	----------

1411888

<https://www.phoenixcontact.com/us/products/1411888>

Environmental product compliance

EU RoHS

Fulfills EU RoHS substance requirements	Yes, No exemptions
---	--------------------

China RoHS

Environment friendly use period (EFUP)	EFUP-E
	No hazardous substances above the limits

EU REACH SVHC

REACH candidate substance (CAS No.)	No substance above 0.1 wt%
-------------------------------------	----------------------------

Phoenix Contact 2026 © - all rights reserved
<https://www.phoenixcontact.com>

Phoenix Contact USA
586 Fulling Mill Road
Middletown, PA 17057, United States
(+717) 944-1300
info@phoenixcon.com