

# HC-HPR-B24-HHWH-1STM32-EM-BK - Housing



1411887

<https://www.phoenixcontact.com/us/products/1411887>

Please be informed that the data shown in this PDF document is generated from our online catalog. Please find the complete data in the user documentation. Our general terms of use for downloads are valid.



HEAVYCON B24 sleeve housing, HPR series, with screw locking, with M32 thread, lateral outlet, for increased environmental and EMC requirements

## Your advantages

- Vibration and shock: IEC 61373/EN 50155, category 1, class 1B

## Commercial data

Item number	1411887
Packing unit	1 pc
Minimum order quantity	1 pc
Sales key	BF60
Product key	AF7AAI
GTIN	4046356944564
Weight per piece (including packing)	747.3 g
Weight per piece (excluding packing)	747 g
Customs tariff number	85389099
Country of origin	CN

1411887

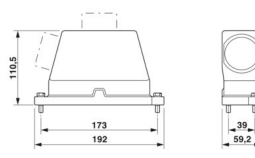
<https://www.phoenixcontact.com/us/products/1411887>

## Technical data

### Product properties

Product type	Housing with screw locking
Housing type	Sleeve housing
Product family	HC-HPR-B
Series	HPR-B24
Application	Railway applications
Type	B24
No. of cable outlets	1
Type of the screw connection	1x M32
Protective cover	no
Cable outlet	lateral
Pg screw connection	none

### Dimensions

Dimensional drawing	
Width	59.2 mm
Height	110.5 mm
Length	192 mm

### Material specifications

Housing material	Die-cast aluminum
Housing surface material	Powder-coated, black
Locking latch material	Stainless steel

### Environmental and real-life conditions

#### Ambient conditions

Degree of protection	IP66
	IP68 (0.5 bar / 24 h)
	IP69 (ISO 20653:2013-02)
Impact strength	IK09
Ambient temperature (operation)	-40 °C ... 125 °C

### Mechanical properties

#### Mechanical data

Type of the screw connection	1x M32
Locking type	Screw

# HC-HPR-B24-HHWH-1STM32-EM-BK - Housing



1411887

<https://www.phoenixcontact.com/us/products/1411887>

## Mounting

Assembly note

M6 locking screw, slotted hexagon head screw (SW10),  
tightening torque: 4 Nm

# HC-HPR-B24-HHWH-1STM32-EM-BK - Housing

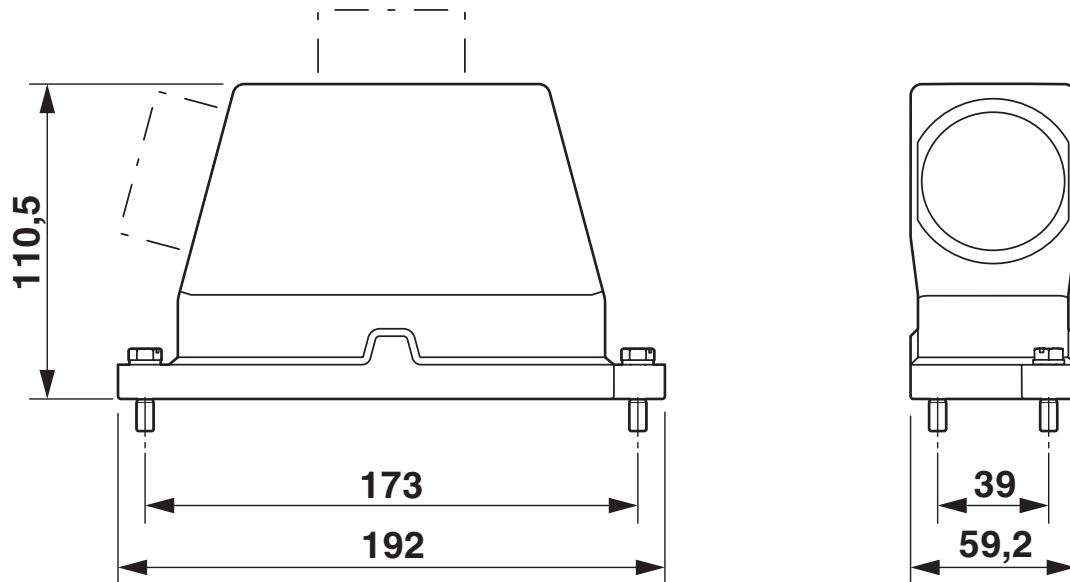


1411887

<https://www.phoenixcontact.com/us/products/1411887>

## Drawings

Dimensional drawing



Dimensional drawing

1411887

<https://www.phoenixcontact.com/us/products/1411887>

## Approvals

🔗 To download certificates, visit the product detail page: <https://www.phoenixcontact.com/us/products/1411887>

**DNV**

Approval ID: TAE000037S

**ENEC**

**EAC**

Approval ID: RU C-DE.AI30.B.01102

1411887

<https://www.phoenixcontact.com/us/products/1411887>

## Classifications

### ECLASS

ECLASS-13.0	27440202
ECLASS-15.0	27440202

### ETIM

ETIM 10.0	EC000437
-----------	----------

### UNSPSC

UNSPSC 21.0	31261500
-------------	----------

1411887

<https://www.phoenixcontact.com/us/products/1411887>

## Environmental product compliance

### EU RoHS

Fulfills EU RoHS substance requirements	Yes, No exemptions
-----------------------------------------	--------------------

### China RoHS

Environment friendly use period (EFUP)	EFUP-E
	No hazardous substances above the limits

### EU REACH SVHC

REACH candidate substance (CAS No.)	No substance above 0.1 wt%
-------------------------------------	----------------------------

Phoenix Contact 2026 © - all rights reserved  
<https://www.phoenixcontact.com>

Phoenix Contact USA  
586 Fulling Mill Road  
Middletown, PA 17057, United States  
(+717) 944-1300  
[info@phoenixcon.com](mailto:info@phoenixcon.com)