

HC-HPR-B16-SHFH-2SSM40-EMR-BK - Housing



1411886

<https://www.phoenixcontact.com/us/products/1411886>

Please be informed that the data shown in this PDF document is generated from our online catalog. Please find the complete data in the user documentation. Our general terms of use for downloads are valid.



Surface mounting housing B16, For screw locking, material: Die-cast aluminum, cable outlets: 2, lateral, 2x M40, height: 111 mm, cable gland: none, protective cover: no, Railway applications, for increased environmental and EMC requirements, Series HPR

Your advantages

- Vibration and shock: IEC 61373/EN 50155, category 1, class 1B

Commercial data

Item number	1411886
Packing unit	1 pc
Minimum order quantity	1 pc
Sales key	BF60
Product key	AF7AAI
GTIN	4046356944540
Weight per piece (including packing)	1,044.6 g
Weight per piece (excluding packing)	987 g
Customs tariff number	85389099
Country of origin	CN

1411886

<https://www.phoenixcontact.com/us/products/1411886>

Technical data

Notes

General	For contact inserts HC-B16, BB32, BBB40, D40, DD72, HS6, M, K
---------	---------------------------------------------------------------

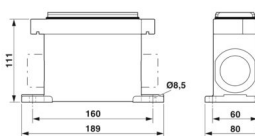
Product properties

Product type	Housing with screw locking
Housing type	Surface mounting housing
Product family	HC-HPR-B
Series	HPR-B16
Application	Railway applications
Type	B16
No. of cable outlets	2
Type of the screw connection	2x M40
Protective cover	no
Cable outlet	lateral
Pg screw connection	none

Connection data

Tightening torque	10 Nm ... 15 Nm (for M8 mounting screws on the surface-mount housing)
-------------------	-----------------------------------------------------------------------

Dimensions

Dimensional drawing	
Width	80 mm
Height	111 mm
Length	189 mm
Drill hole distance, horizontal	160 mm
Drill hole distance, vertical	60 mm
Hole diameter	8.5 mm

Material specifications

Seal material	NBR
Housing material	Die-cast aluminum
Housing surface material	Powder-coated, black

Environmental and real-life conditions

Ambient conditions	IP66
--------------------	------

HC-HPR-B16-SHFH-2SSM40-EMR-BK - Housing



1411886

<https://www.phoenixcontact.com/us/products/1411886>

Degree of protection	IP68 (0.5 bar / 24 h)
	IP69 (ISO 20653:2013-02)
Impact strength	IK09
Ambient temperature (operation)	-40 °C ... 125 °C

Mechanical properties

Mechanical data

Type of the screw connection	2x M40
Locking type	Nut

HC-HPR-B16-SHFH-2SSM40-EMR-BK - Housing

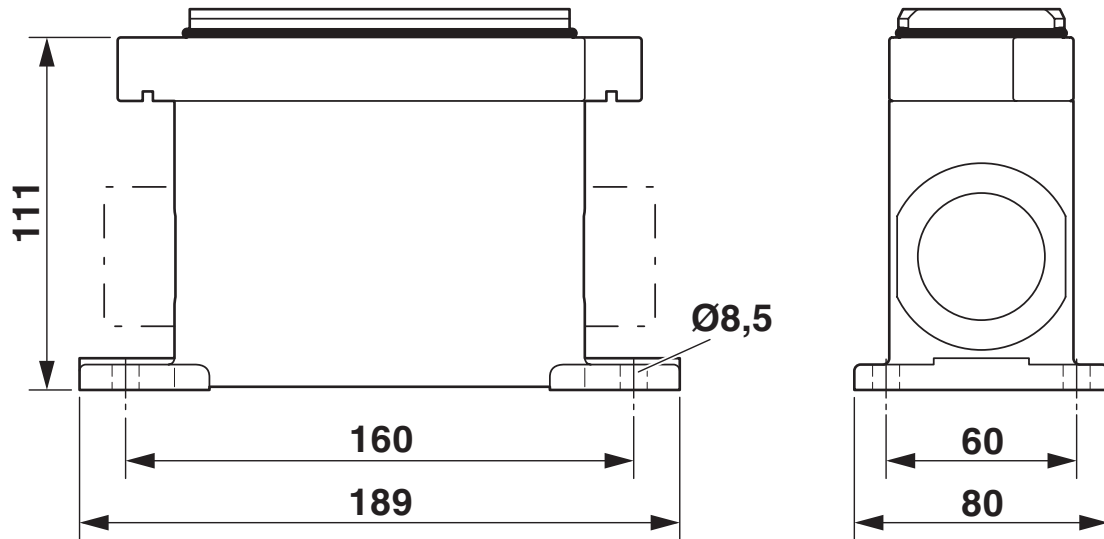


1411886

<https://www.phoenixcontact.com/us/products/1411886>

Drawings

Dimensional drawing



Dimensional drawing

1411886

<https://www.phoenixcontact.com/us/products/1411886>

Approvals

🔗 To download certificates, visit the product detail page: <https://www.phoenixcontact.com/us/products/1411886>

DNV

Approval ID: TAE000037S

ENEC

EAC

Approval ID: RU C-DE.AI30.B.01102

1411886

<https://www.phoenixcontact.com/us/products/1411886>

Classifications

ECLASS

ECLASS-13.0	27440202
ECLASS-15.0	27440202

ETIM

ETIM 10.0	EC000437
-----------	----------

UNSPSC

UNSPSC 21.0	31261500
-------------	----------

1411886

<https://www.phoenixcontact.com/us/products/1411886>

Environmental product compliance

EU RoHS

Fulfills EU RoHS substance requirements	Yes, No exemptions
-----------------------------------------	--------------------

China RoHS

Environment friendly use period (EFUP)	EFUP-E
	No hazardous substances above the limits

EU REACH SVHC

REACH candidate substance (CAS No.)	No substance above 0.1 wt%
-------------------------------------	----------------------------

Phoenix Contact 2026 © - all rights reserved
<https://www.phoenixcontact.com>

Phoenix Contact USA
586 Fulling Mill Road
Middletown, PA 17057, United States
(+717) 944-1300
info@phoenixcon.com