

# HC-B06-SG-CBK - Flat gasket



1411483

<https://www.phoenixcontact.com/us/products/1411483>

Please be informed that the data shown in this PDF document is generated from our online catalog. Please find the complete data in the user documentation. Our general terms of use for downloads are valid.

Replacement flat gasket, for HEAVYCON panel mounting base, HC-STA-...AL, type B6, conductive



## Commercial data

Item number	1411483
Packing unit	10 pc
Minimum order quantity	10 pc
Sales key	BF66
Product key	AF7APZ
GTIN	4046356932837
Weight per piece (including packing)	5.05 g
Weight per piece (excluding packing)	4.21 g
Customs tariff number	40169300
Country of origin	CN

# HC-B06-SG-CBK - Flat gasket

1411483

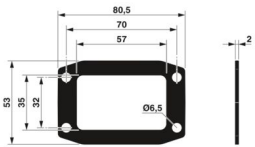
<https://www.phoenixcontact.com/us/products/1411483>

## Technical data

### Product properties

Product type	Seal
Application	for panel-mount base

### Dimensions

Dimensional drawing	
Width	53 mm
Height	2 mm
Length	80.5 mm
Drill hole distance, horizontal	70 mm
Drill hole distance, vertical	32 mm
Hole diameter	6.5 mm

### Material specifications

Material	NBR, conductive
Seal material	NBR

### Environmental and real-life conditions

#### Ambient conditions

Ambient temperature (operation)	-40 °C ... 125 °C
---------------------------------	-------------------

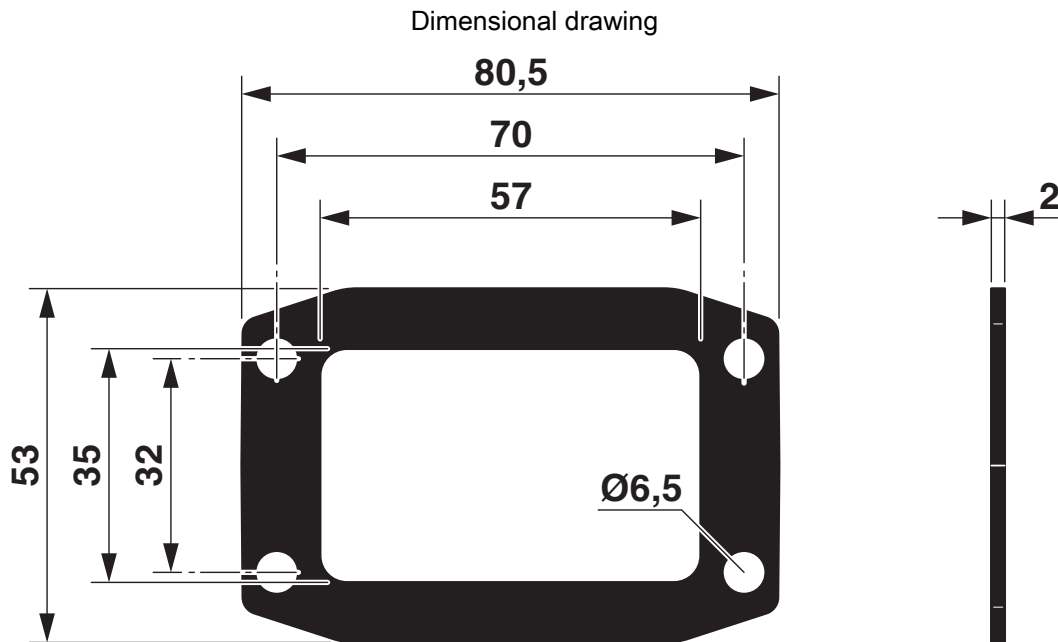
# HC-B06-SG-CBK - Flat gasket

1411483

<https://www.phoenixcontact.com/us/products/1411483>



## Drawings



Dimensional drawing

# HC-B06-SG-CBK - Flat gasket



1411483

<https://www.phoenixcontact.com/us/products/1411483>

## Approvals

To download certificates, visit the product detail page: <https://www.phoenixcontact.com/us/products/1411483>



**EAC**

Approval ID: RU C-DE.AI30.B.01102

# HC-B06-SG-CBK - Flat gasket



1411483

<https://www.phoenixcontact.com/us/products/1411483>

## Classifications

### ECLASS

ECLASS-13.0	23071590
ECLASS-15.0	27440292

### ETIM

ETIM 10.0	EC002943
-----------	----------

### UNSPSC

UNSPSC 21.0	31401600
-------------	----------

# HC-B06-SG-CBK - Flat gasket



1411483

<https://www.phoenixcontact.com/us/products/1411483>

## Environmental product compliance

### EU RoHS

Fulfills EU RoHS substance requirements	Yes, No exemptions
---	--------------------

### China RoHS

Environment friendly use period (EFUP)	EFUP-E
	No hazardous substances above the limits

### EU REACH SVHC

REACH candidate substance (CAS No.)	No substance above 0.1 wt%
-------------------------------------	----------------------------

Phoenix Contact 2026 © - all rights reserved  
<https://www.phoenixcontact.com>

Phoenix Contact USA  
586 Fulling Mill Road  
Middletown, PA 17057, United States  
(+717) 944-1300  
[info@phoenixcon.com](mailto:info@phoenixcon.com)