

HC-B-G-M25-ER-AL - Cable gland



1411443

<https://www.phoenixcontact.com/us/products/1411443>

Please be informed that the data shown in this PDF document is generated from our online catalog. Please find the complete data in the user documentation. Our general terms of use for downloads are valid.

EVO metal cable gland with bayonet locking, B series, size M25, cable diameter: 11 - 16 mm



Commercial data

Item number	1411443
Packing unit	1 pc
Minimum order quantity	1 pc
Sales key	BF57
Product key	AF7APM
GTIN	4046356932424
Weight per piece (including packing)	80.1 g
Weight per piece (excluding packing)	79.5 g
Customs tariff number	85389099
Country of origin	DE

HC-B-G-M25-ER-AL - Cable gland

1411443

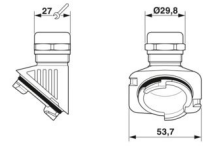
<https://www.phoenixcontact.com/us/products/1411443>

Technical data

Product properties

Product type	Cable screw gland
Application	for greater strain relief
No. of conductors	1
Type of the screw connection	M25
Shielded	no

Dimensions

Dimensional drawing	
Wrench size, union nut	27 mm

Material specifications

Color	aluminum color
Material Pressure screw	Brass, nickel-plated
Seal material O-ring	NBR
Seal material Cable seal	NBR
Housing material	Die-cast aluminum, corrosion resistant
Material for screw connection	Aluminum

Cable/line

External cable diameter Cable 1	11 mm ... 16 mm
---------------------------------	-----------------

Environmental and real-life conditions

Ambient conditions

Degree of protection	IP66 IP67
Enclosure rating (NEMA)	4 (UL 50e) 4X (UL 50e) 12 (UL 50e)
Ambient temperature (operation)	-40 °C ... 125 °C (static)

HC-B-G-M25-ER-AL - Cable gland

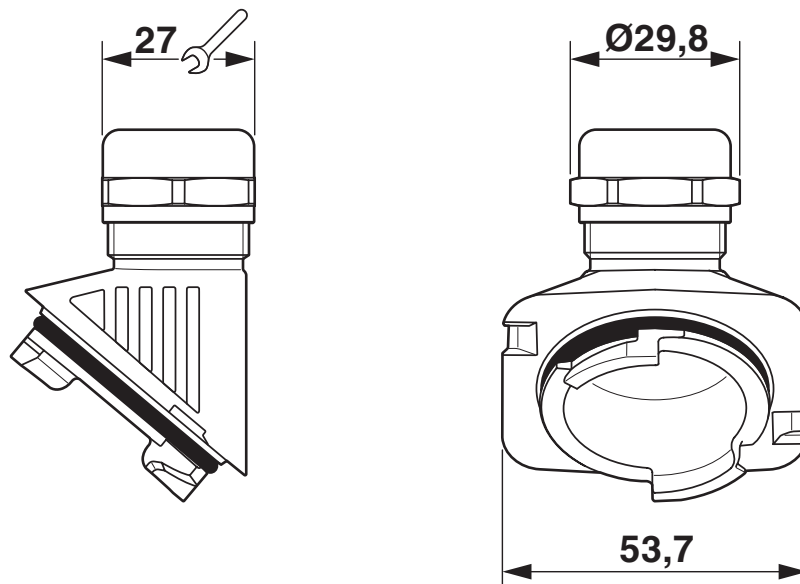
1411443

<https://www.phoenixcontact.com/us/products/1411443>



Drawings

Dimensional drawing



Dimensional drawing

HC-B-G-M25-ER-AL - Cable gland



1411443

<https://www.phoenixcontact.com/us/products/1411443>

Approvals

To download certificates, visit the product detail page: <https://www.phoenixcontact.com/us/products/1411443>

DNV

Approval ID: TAE000037S



cUL Recognized

Approval ID: E255026



UL Recognized

Approval ID: E255026



EAC

Approval ID: RU C-DE.AI30.B.01102



EAC-RoHS

Approval ID: RU D-DE.HB35.B.00387

HC-B-G-M25-ER-AL - Cable gland



1411443

<https://www.phoenixcontact.com/us/products/1411443>

Classifications

ECLASS

ECLASS-13.0	27140801
ECLASS-15.0	27140801

ETIM

ETIM 10.0	EC000441
-----------	----------

UNSPSC

UNSPSC 21.0	39121300
-------------	----------

HC-B-G-M25-ER-AL - Cable gland



1411443

<https://www.phoenixcontact.com/us/products/1411443>

Environmental product compliance

EU RoHS

Fulfills EU RoHS substance requirements	Yes
Exemption	6(c)

China RoHS

Environment friendly use period (EFUP)	EFUP-50
	An article-related China RoHS declaration table can be found in the download area for the respective article under "Manufacturer declaration". For all articles with EFUP-E, no China RoHS declaration table issued and required.

EU REACH SVHC

REACH candidate substance (CAS No.)	Lead(CAS: 7439-92-1)
SCIP	c346d8d5-7d23-4f23-b468-6892e199de2f

Phoenix Contact 2026 © - all rights reserved

<https://www.phoenixcontact.com>

Phoenix Contact USA
586 Fulling Mill Road
Middletown, PA 17057, United States
(+717) 944-1300
info@phoenixcon.com