

HC-B-G-M40-EC-AL - Cable gland



1411441

<https://www.phoenixcontact.com/us/products/1411441>

Please be informed that the data shown in this PDF document is generated from our online catalog. Please find the complete data in the user documentation. Our general terms of use for downloads are valid.

EVO EMC cable gland with bayonet locking, B series, size M40, cable diameter: 19 ... 27 mm



Commercial data

| | |
|--------------------------------------|---------------|
| Item number | 1411441 |
| Packing unit | 1 pc |
| Minimum order quantity | 1 pc |
| Sales key | BF57 |
| Product key | AF7APM |
| GTIN | 4046356932400 |
| Weight per piece (including packing) | 142.6 g |
| Weight per piece (excluding packing) | 135 g |
| Customs tariff number | 85389099 |
| Country of origin | DE |

HC-B-G-M40-EC-AL - Cable gland

1411441

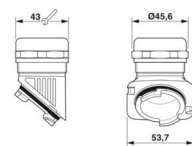
<https://www.phoenixcontact.com/us/products/1411441>

Technical data

Product properties

| | |
|--------------------------------|-------------------|
| Product type | Cable screw gland |
| Application | EMC |
| No. of conductors | 1 |
| Type of the screw connection | M40 |
| Shielded | yes |
| Execution of the strain relief | B |

Dimensions

| | |
|------------------------|--|
| Dimensional drawing |  |
| Width | 54.2 mm |
| Height | 722.4 mm |
| Depth | 62 mm |
| Wrench size, union nut | 43 mm |
| Thread pitch | 1.5 mm |

Material specifications

| | |
|-------------------------------|--|
| Color | aluminum color |
| Material Pressure screw | Brass, nickel-plated |
| Seal material | NBR |
| Seal material Cable seal | NBR |
| Housing material | Die-cast aluminum, corrosion resistant |
| Material for screw connection | Aluminum |

Cable/line

| | |
|---------------------------------|-----------------|
| External cable diameter Cable 1 | 19 mm ... 27 mm |
|---------------------------------|-----------------|

Environmental and real-life conditions

Ambient conditions

| | |
|---------------------------------|----------------------------|
| Degree of protection | IP66 |
| | IP67 |
| Enclosure rating (NEMA) | 4 (UL 50e) |
| | 4X (UL 50e) |
| | 12 (UL 50e) |
| Ambient temperature (operation) | -40 °C ... 125 °C (static) |

HC-B-G-M40-EC-AL - Cable gland

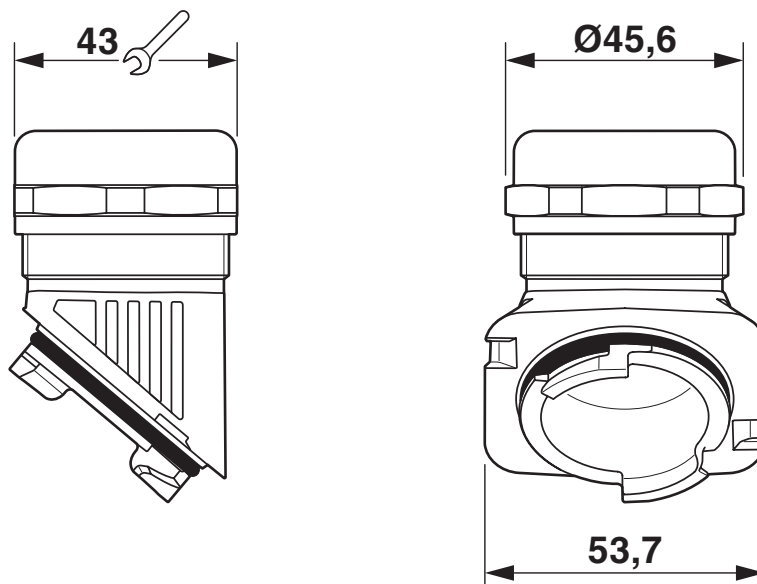
1411441

<https://www.phoenixcontact.com/us/products/1411441>



Drawings

Dimensional drawing



Dimensional drawing

HC-B-G-M40-EC-AL - Cable gland



1411441

<https://www.phoenixcontact.com/us/products/1411441>

Approvals

To download certificates, visit the product detail page: <https://www.phoenixcontact.com/us/products/1411441>



cUL Recognized

Approval ID: E255026



UL Recognized

Approval ID: E255026



EAC

Approval ID: RU C-DE.AI30.B.01102



EAC-RoHS

Approval ID: RU D-DE.HB35.B.00387

HC-B-G-M40-EC-AL - Cable gland



1411441

<https://www.phoenixcontact.com/us/products/1411441>

Classifications

ECLASS

| | |
|-------------|----------|
| ECLASS-13.0 | 27140801 |
| ECLASS-15.0 | 27140801 |

ETIM

| | |
|-----------|----------|
| ETIM 10.0 | EC000441 |
|-----------|----------|

UNSPSC

| | |
|-------------|----------|
| UNSPSC 21.0 | 39121300 |
|-------------|----------|

HC-B-G-M40-EC-AL - Cable gland



1411441

<https://www.phoenixcontact.com/us/products/1411441>

Environmental product compliance

EU RoHS

| | |
|---|------|
| Fulfills EU RoHS substance requirements | Yes |
| Exemption | 6(c) |

China RoHS

| | |
|--|---|
| Environment friendly use period (EFUP) | EFUP-50 |
| | An article-related China RoHS declaration table can be found in the download area for the respective article under "Manufacturer declaration". For all articles with EFUP-E, no China RoHS declaration table issued and required. |

EU REACH SVHC

| | |
|-------------------------------------|--------------------------------------|
| REACH candidate substance (CAS No.) | Lead(CAS: 7439-92-1) |
| SCIP | c7aecd5a-a5f8-43a5-a8cd-e9094a490738 |

EF3.1 Climate Change

| | |
|---------|---------------|
| CO2e kg | 2.316 kg CO2e |
|---------|---------------|

Phoenix Contact 2026 © - all rights reserved
<https://www.phoenixcontact.com>

Phoenix Contact USA
586 Fulling Mill Road
Middletown, PA 17057, United States
(+717) 944-1300
info@phoenixcon.com