

# HC-STA-B24-BWSC-ELC-AL - Housing



1411330

<https://www.phoenixcontact.com/us/products/1411330>

Please be informed that the data shown in this PDF document is generated from our online catalog. Please find the complete data in the user documentation. Our general terms of use for downloads are valid.



Panel mounting base B24, with single locking latch, material: Die-cast aluminum, salt water resistant, protective cover material: PC, height: 30.5 mm, cable gland: none, protective cover: yes, Standard, with flat gasket

## Your advantages

- Good shielding in the event of electromagnetic interference

## Commercial data

Item number	1411330
Packing unit	1 pc
Minimum order quantity	1 pc
Sales key	BF56
Product key	AF7APB
GTIN	4046356927505
Weight per piece (including packing)	182 g
Weight per piece (excluding packing)	175 g
Customs tariff number	85389099
Country of origin	CN

1411330

<https://www.phoenixcontact.com/us/products/1411330>

## Technical data

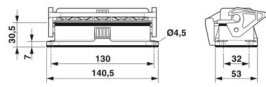
### Notes

General	For contact inserts HC-B24, BB46, D64, DD108, M
---------	---

### Product properties

Product type	Housing with locking latch
Housing type	Panel mounting base
Application	Standard
Type	B24
Protective cover	yes
Pg screw connection	none

### Dimensions

Dimensional drawing	
Width	53 mm
Height	30.5 mm
Length	140.5 mm
Drill hole distance, horizontal	130 mm
Drill hole distance, vertical	32 mm
Hole diameter	4.5 mm

### Installation dimensions

Width of the assembly cutout	35 mm
Length of the assembly cutout	113 mm

### Material specifications

Flammability rating according to UL 94	V0 (Interlock)
	V0 (Protective cover)
Seal material	NBR, conductive
	NBR, conductive
Housing material	Die-cast aluminum, salt water resistant
Housing surface material	uncoated
Material, protective cover	PC
Locking latch material	PA

### Mechanical properties

#### Mechanical data

Locking type	Latch
--------------	-------

### Connection data

# HC-STA-B24-BWSC-ELC-AL - Housing



1411330

<https://www.phoenixcontact.com/us/products/1411330>

Tightening torque	0.8 Nm ... 1.2 Nm (For M4 mounting screws on the panel-mount base)
-------------------	--

## Environmental and real-life conditions

### Ambient conditions

Degree of protection	IP66 (with locked protective cover) IP67 (when plugged in)
Impact strength	IK08
Ambient temperature (operation)	-40 °C ... 125 °C

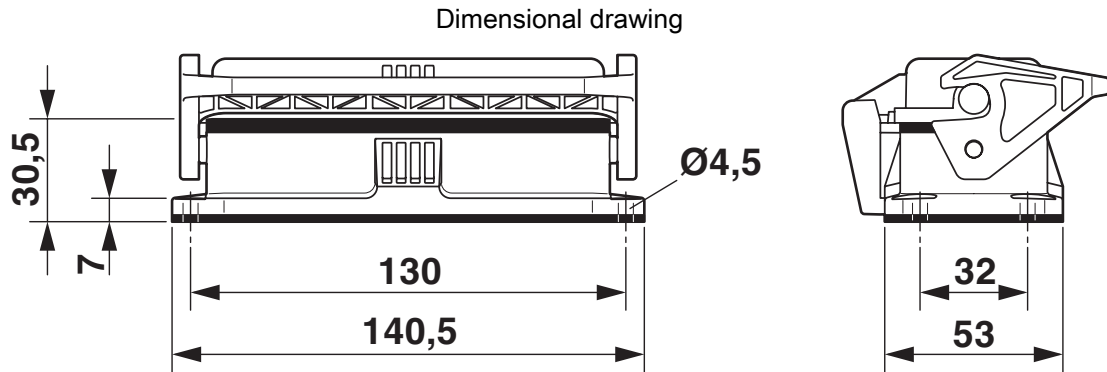
# HC-STA-B24-BWSC-ELC-AL - Housing



1411330

<https://www.phoenixcontact.com/us/products/1411330>

## Drawings



Dimensional drawing



Mounting cutout

# HC-STA-B24-BWSC-ELC-AL - Housing



1411330

<https://www.phoenixcontact.com/us/products/1411330>

## Approvals

🔗 To download certificates, visit the product detail page: <https://www.phoenixcontact.com/us/products/1411330>

**DNV**

Approval ID: TAE000037S



**EAC**

Approval ID: RU C-DE.AI30.B.01102

# HC-STA-B24-BWSC-ELC-AL - Housing



1411330

<https://www.phoenixcontact.com/us/products/1411330>

## Classifications

### ECLASS

ECLASS-13.0	27440202
ECLASS-15.0	27440202

### ETIM

ETIM 10.0	EC000437
-----------	----------

### UNSPSC

UNSPSC 21.0	31261500
-------------	----------

# HC-STA-B24-BWSC-ELC-AL - Housing



1411330

<https://www.phoenixcontact.com/us/products/1411330>

## Environmental product compliance

### EU RoHS

Fulfills EU RoHS substance requirements	Yes, No exemptions
---	--------------------

### China RoHS

Environment friendly use period (EFUP)	EFUP-E
	No hazardous substances above the limits

### EU REACH SVHC

REACH candidate substance (CAS No.)	No substance above 0.1 wt%
-------------------------------------	----------------------------

Phoenix Contact 2026 © - all rights reserved  
<https://www.phoenixcontact.com>

Phoenix Contact USA  
586 Fulling Mill Road  
Middletown, PA 17057, United States  
(+717) 944-1300  
[info@phoenixcon.com](mailto:info@phoenixcon.com)