

# A-SEW-20-P-W - Flat gasket

1411283

<https://www.phoenixcontact.com/us/products/1411283>

Please be informed that the data shown in this PDF document is generated from our online catalog. Please find the complete data in the user documentation. Our general terms of use for downloads are valid.

Flat gasket, for threads M20, color: white



## Commercial data

Item number	1411283
Packing unit	200 pc
Minimum order quantity	200 pc
Sales key	BF68
Product key	AF7DZX
GTIN	4046356924146
Weight per piece (including packing)	0.86 g
Weight per piece (excluding packing)	1.745 g
Customs tariff number	39269097
Country of origin	GB

# A-SEW-20-P-W - Flat gasket

1411283

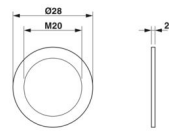
<https://www.phoenixcontact.com/us/products/1411283>

## Technical data

### Product properties

Product type	Seal
Manufacturer	CMP
Manufacturer Designation	20MM WHITE NYLON ETS 2MM THICK
Manufacturer product number	20ETS2
Thread type	M20

### Dimensions

Dimensional drawing	
Height	2 mm
Thread type connection side	M20

### Internal dimensions

Internal diameter	20 mm
-------------------	-------

### Material specifications

Material	Nylon
----------	-------

### Environmental and real-life conditions

#### Ambient conditions

Ambient temperature (operation)	-60 °C ... 130 °C
---------------------------------	-------------------

### Mounting

Assembly note	for A-EXSH-M...-68L-... / G-ESSWU-M... / G-EDSWU-M... / G-ESS-M...
---------------	--

# A-SEW-20-P-W - Flat gasket

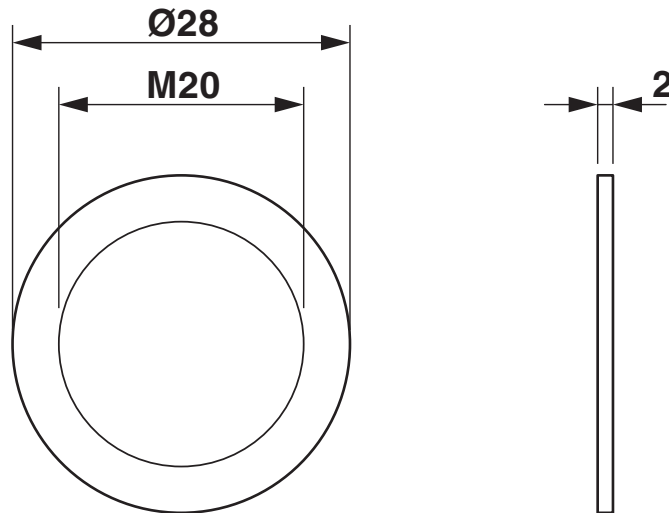
1411283

<https://www.phoenixcontact.com/us/products/1411283>



## Drawings

Dimensional drawing



Dimensional drawing

# A-SEW-20-P-W - Flat gasket



1411283

<https://www.phoenixcontact.com/us/products/1411283>

## Classifications

### ECLASS

ECLASS-13.0	27430319
ECLASS-15.0	27430319

### ETIM

ETIM 10.0	EC001181
-----------	----------

### UNSPSC

UNSPSC 21.0	39121400
-------------	----------

# A-SEW-20-P-W - Flat gasket



1411283

<https://www.phoenixcontact.com/us/products/1411283>

## Environmental product compliance

### EU RoHS

Fulfills EU RoHS substance requirements	Yes
Exemption	6(c)

### China RoHS

Environment friendly use period (EFUP)	EFUP-50
	An article-related China RoHS declaration table can be found in the download area for the respective article under "Manufacturer declaration". For all articles with EFUP-E, no China RoHS declaration table issued and required.

### EU REACH SVHC

REACH candidate substance (CAS No.)	Lead(CAS: 7439-92-1)
SCIP	c52c89ff-19de-4187-80bb-3f1ae9fb3cbb

### EF3.1 Climate Change

CO2e kg	0.042 kg CO2e
---------	---------------

Phoenix Contact 2026 © - all rights reserved  
<https://www.phoenixcontact.com>

Phoenix Contact USA  
586 Fulling Mill Road  
Middletown, PA 17057, United States  
(+717) 944-1300  
[info@phoenixcon.com](mailto:info@phoenixcon.com)