

G-INS-PG21-M68N-NNES-S - Cable gland



1411175

<https://www.phoenixcontact.com/us/products/1411175>

Please be informed that the data shown in this PDF document is generated from our online catalog. Please find the complete data in the user documentation. Our general terms of use for downloads are valid.



Cable gland, material for screw connection: Brass, nickel-plated, application: Standard, external cable diameter 13 mm ... 18 mm, shielding: no, connecting thread: Pg21, color: silver-colored, with O-ring

Commercial data

Item number	1411175
Packing unit	5 pc
Minimum order quantity	1 pc
Sales key	BF68
Product key	AF7DAX
GTIN	4046356923095
Weight per piece (including packing)	64.8 g
Weight per piece (excluding packing)	62.42 g
Customs tariff number	74198090
Country of origin	TR

G-INS-PG21-M68N-NNES-S - Cable gland



1411175

<https://www.phoenixcontact.com/us/products/1411175>

Technical data

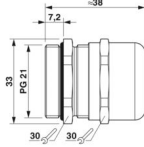
Mounting

Assembly note	1) Mount screw connection support in the housing using the correct torque 2) Insert cable 3) Tighten union nut using the correct torque
---------------	---

Product properties

Product type	Cable screw gland
Application	Standard
No. of conductors	1
Manufacturer	BIMED
Manufacturer Designation	BSBC-06
Shielded	no

Dimensions

Dimensional drawing	
Length	38 mm
Length of the connecting thread	7.2 mm
Hole diameter	28.4 mm ... 28.6 mm
Wrench size, union nut	30 mm
Wrench size, support	30 mm
Hexagon angular dimension	33 mm
Thread type connection side	Pg21

Connection data

Tightening torque	17 Nm \pm 1 Nm (Cap nut)
	10 Nm (Support sleeve)

Material specifications

Color	brass color
Material Compression ring	PA 6
Seal material O-ring	Perbunan
Seal material Cable seal	CR
Material for screw connection	Brass, nickel-plated

Cable/line

External cable diameter Cable 1	13 mm ... 18 mm
External cable diameter	13 mm ... 18 mm (for UL 514 B)
Halogen-free	no

G-INS-PG21-M68N-NNES-S - Cable gland



1411175

<https://www.phoenixcontact.com/us/products/1411175>

Environmental and real-life conditions

Ambient conditions

Degree of protection	IP66
	IP68 (5 bar, 30 min.)
	IP69 (DIN EN 60529 / IEC 60529)
Enclosure rating (NEMA)	4X
Ambient temperature (operation)	-40 °C ... 100 °C (static)

G-INS-PG21-M68N-NNES-S - Cable gland

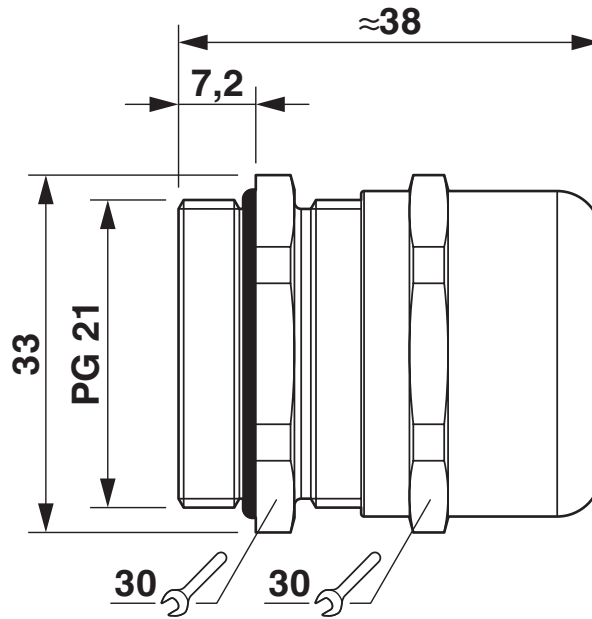


1411175

<https://www.phoenixcontact.com/us/products/1411175>

Drawings

Dimensional drawing



Dimensional drawing

G-INS-PG21-M68N-NNES-S - Cable gland



1411175

<https://www.phoenixcontact.com/us/products/1411175>

Approvals

🔗 To download certificates, visit the product detail page: <https://www.phoenixcontact.com/us/products/1411175>

DNV

Approval ID: TAE00003WY



UL Listed

Approval ID: E199260



cUL Listed

Approval ID: E199260

G-INS-PG21-M68N-NNES-S - Cable gland



1411175

<https://www.phoenixcontact.com/us/products/1411175>

Classifications

ECLASS

ECLASS-13.0	27140801
ECLASS-15.0	27140801

ETIM

ETIM 10.0	EC000441
-----------	----------

UNSPSC

UNSPSC 21.0	39121300
-------------	----------

G-INS-PG21-M68N-NNES-S - Cable gland



1411175

<https://www.phoenixcontact.com/us/products/1411175>

Environmental product compliance

EU RoHS

Fulfills EU RoHS substance requirements	Yes
Exemption	6(c)

China RoHS

Environment friendly use period (EFUP)	EFUP-50
	An article-related China RoHS declaration table can be found in the download area for the respective article under "Manufacturer declaration". For all articles with EFUP-E, no China RoHS declaration table issued and required.

EU REACH SVHC

REACH candidate substance (CAS No.)	Lead(CAS: 7439-92-1)
SCIP	99809b75-e1fa-4653-8814-c90c8bf97938

Phoenix Contact 2026 © - all rights reserved

<https://www.phoenixcontact.com>

Phoenix Contact USA
586 Fulling Mill Road
Middletown, PA 17057, United States
(+717) 944-1300
info@phoenixcon.com