

# A-EXB-25-66L-N-S - Pressure compensation element



1411120

<https://www.phoenixcontact.com/us/products/1411120>

Please be informed that the data shown in this PDF document is generated from our online catalog. Please find the complete data in the user documentation. Our general terms of use for downloads are valid.



Pressure compensation element, application: Ex, connecting thread: M25 x 1.5, color: silver-colored

## Your advantages

- Reduces the formation of condensation

## Commercial data

Item number	1411120
Packing unit	5 pc
Minimum order quantity	1 pc
Sales key	BF68
Product key	AF7DDX
GTIN	4046356922340
Weight per piece (including packing)	152.5 g
Weight per piece (excluding packing)	147 g
Customs tariff number	74198090
Country of origin	GB

# A-EXB-25-66L-N-S - Pressure compensation element



1411120

<https://www.phoenixcontact.com/us/products/1411120>

## Technical data

### Product properties

Product type	Pressure compensation element
Application	Ex
Manufacturer	CMP
Manufacturer Designation	781 M25(M) N.PLTD BREATH/DRAIN PLUG
Manufacturer product number	781EM35
Air flow rate	48 l/min (at 1 bar)

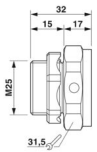
### Connection data

Tightening torque	10 Nm (Installation torque)
-------------------	-----------------------------

### Ex data

Suited for EX-applications	yes
----------------------------	-----

### Dimensions

Dimensional drawing	
Length	32 mm
Length of the connecting thread	15 mm
Length without connecting thread	17 mm
Diameter	25 mm
Connecting thread diameter	25 mm
Wrench size, union nut	31.5 mm
Hexagon angular dimension	39.6 mm
Thread type connection side	M25 x 1.5
Thread pitch	1.5 mm

### Material specifications

Color	brass color
Material	Brass, nickel-plated
Seal material O-ring	Silicon

### Environmental and real-life conditions

#### Ambient conditions

Degree of protection	IP66
Ambient temperature (operation)	-60 °C ... 130 °C

### Approvals

# A-EXB-25-66L-N-S - Pressure compensation element



1411120

<https://www.phoenixcontact.com/us/products/1411120>

ATEX	Sira 10ATEX1307U 781D: Ex II 2 GD Exd IIC Gb, Ex ta IIIC Da, 781E: Ex II 2 GD Exe IIC Gb, Ex ta IIIC Da
IECEX	IECEX SIR 10.0149U 781D: Ex d IIC Gb, Ex ta IIIC Da 781E: Ex e IIC Gb, Ex ta IIIC Da

## Standards and regulations

### IEC Ex

Standards/specifications	IEC 60079-0, -1, -7, -31
--------------------------	--------------------------

### EN Ex

Standards/specifications	EN 60079-0, -1, -7, -31
--------------------------	-------------------------

## Mounting

Assembly note	Mount at the lowest point of the housing, including ribbed counter nut (ensure correct orientation when mounting, the grooved side must be pointing towards the wall)
---------------	---

# A-EXB-25-66L-N-S - Pressure compensation element

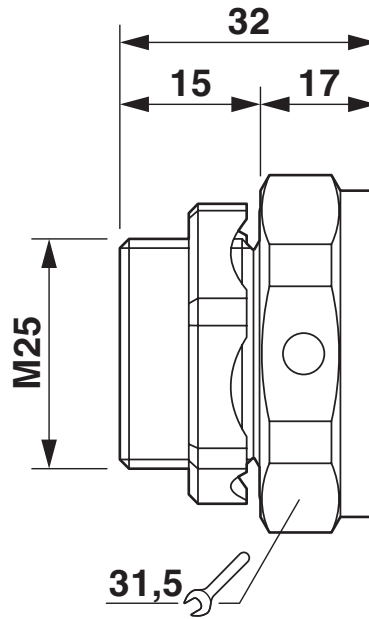


1411120

<https://www.phoenixcontact.com/us/products/1411120>

## Drawings

Dimensional drawing



# A-EXB-25-66L-N-S - Pressure compensation element



1411120

<https://www.phoenixcontact.com/us/products/1411120>

## Approvals

To download certificates, visit the product detail page: <https://www.phoenixcontact.com/us/products/1411120>



**EAC Ex**

Approval ID: RU C-GB.AA87.B.00487



**IECEX**

Approval ID: IECEX SIR 10.0149U



**CSA**

Approval ID: 113642\_0\_000



**CSAus**

Approval ID: 113642\_0\_000



**ATEX**

Approval ID: CML 18ATEX1330U

# A-EXB-25-66L-N-S - Pressure compensation element



1411120

<https://www.phoenixcontact.com/us/products/1411120>

## Classifications

### ECLASS

ECLASS-13.0	27440192
ECLASS-15.0	27440192

### ETIM

ETIM 10.0	EC002943
-----------	----------

### UNSPSC

UNSPSC 21.0	39121400
-------------	----------

1411120

<https://www.phoenixcontact.com/us/products/1411120>

## Environmental product compliance

### EU RoHS

Fulfills EU RoHS substance requirements	Yes
Exemption	6(c)

### China RoHS

Environment friendly use period (EFUP)	EFUP-50
	An article-related China RoHS declaration table can be found in the download area for the respective article under "Manufacturer declaration". For all articles with EFUP-E, no China RoHS declaration table issued and required.

### EU REACH SVHC

REACH candidate substance (CAS No.)	Lead(CAS: 7439-92-1)
SCIP	08f771f0-f26f-45d4-b45b-c0d02c9c54ab

### EF3.1 Climate Change

CO2e kg	2.554 kg CO2e
---------	---------------

Phoenix Contact 2026 © - all rights reserved  
<https://www.phoenixcontact.com>

Phoenix Contact USA  
 586 Fulling Mill Road  
 Middletown, PA 17057, United States  
 (+717) 944-1300  
[info@phoenixcon.com](mailto:info@phoenixcon.com)