

SACC-CI-M12FSX-8CON-L180-THR - Contact carrier



1410979

<https://www.phoenixcontact.com/us/products/1410979>

Please be informed that the data shown in this PDF document is generated from our online catalog. Please find the complete data in the user documentation. Our general terms of use for downloads are valid.



Contact carrier, Ethernet CAT6_A, 8-position, Socket, straight, M12, X-coding, THR solder connection, Item is lead-free in accordance with RoHS II without Exemption 6c (Pb < 0.1 %)

Your advantages

- Reduced mounting costs thanks to two-piece device connector
- Packaging available for automated pick and place assembly
- All common pin assignments and codings available
- Easy device integration thanks to mechanical port screw connections with threaded attachment, press-in contour or direct integration in the front plate

Commercial data

Item number	1410979
Packing unit	20 pc
Minimum order quantity	20 pc
Sales key	AB23
Product key	ABQAGS
GTIN	4046356953641
Weight per piece (including packing)	4.676 g
Weight per piece (excluding packing)	3.049 g
Customs tariff number	85366990
Country of origin	DE

Technical data

Notes

Notes on operation	The electrical and mechanical data specified assume that the connector pair is correctly locked and mounted. If the connector is unlocked and if there is a danger of contamination, the connector must be sealed using a protective cap > IP54. Influences arising from litz wires, cables or PCB assembly must also be taken into consideration.
--------------------	--

Product properties

Product type	Contact insert
Application	Data
Sensor type	Ethernet
Number of positions	8
Shielded	yes
Coding	X
Thread type	M12

Insulation characteristics

Overvoltage category	III
Degree of pollution	3

Electrical properties

Rated surge voltage	1.5 kV
Contact resistance	< 5 mΩ
Insulation resistance	> 100 MΩ
Nominal voltage U_N	50 V AC
	60 V DC
Nominal current I_N	0.5 A
Transmission characteristics (category)	CAT6 _A

Connection data

Connection method	THR solder connection
-------------------	-----------------------

Interfaces

Signal type/category	Ethernet CAT6 _A
----------------------	----------------------------

Material specifications

Material Insulating body	PA 6T/66
Material Contact	CuZn
Material Contact surface	Ni/Au
Material Shield crossover	GD-Zn
Flammability rating according to UL 94	V0

Connector

SACC-CI-M12FSX-8CON-L180-THR - Contact carrier



1410979

<https://www.phoenixcontact.com/us/products/1410979>

Connection 1

Head design	Socket
Head cable outlet	straight
Head thread type	M12
Coding	X

Cable/line

Signal type/category	Ethernet CAT6 _A
----------------------	----------------------------

Mechanical properties

Mechanical data

Insertion/withdrawal cycles	> 100
-----------------------------	-------

Environmental and real-life conditions

Ambient conditions

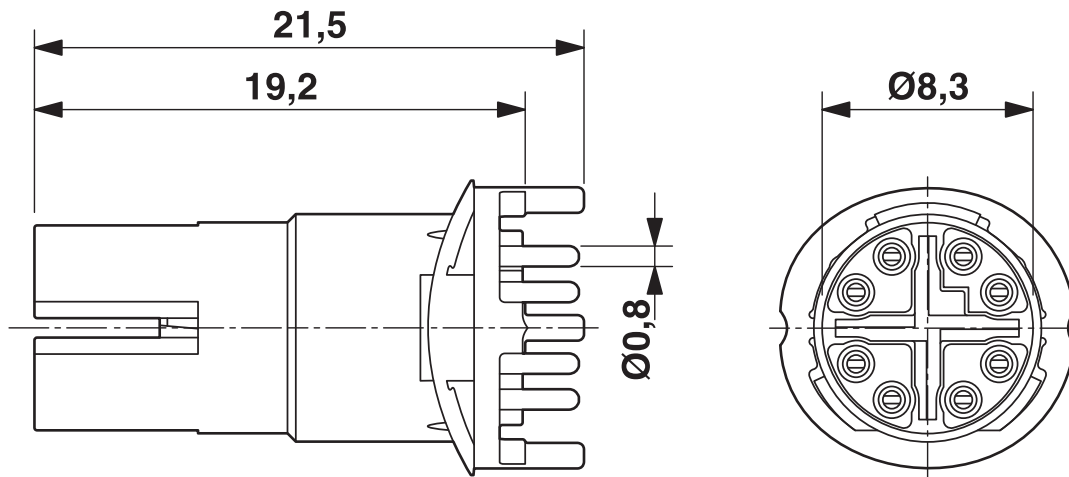
Degree of protection	IP67 (when plugged in)
Ambient temperature (operation) (male connector/female connector)	-40 °C ... 85 °C
UL Type Rating	Type 4 (indoor use only)

Standards and regulations

Standard designation	M12 circular connector
Standards/specifications	according to IEC 61076-2-109

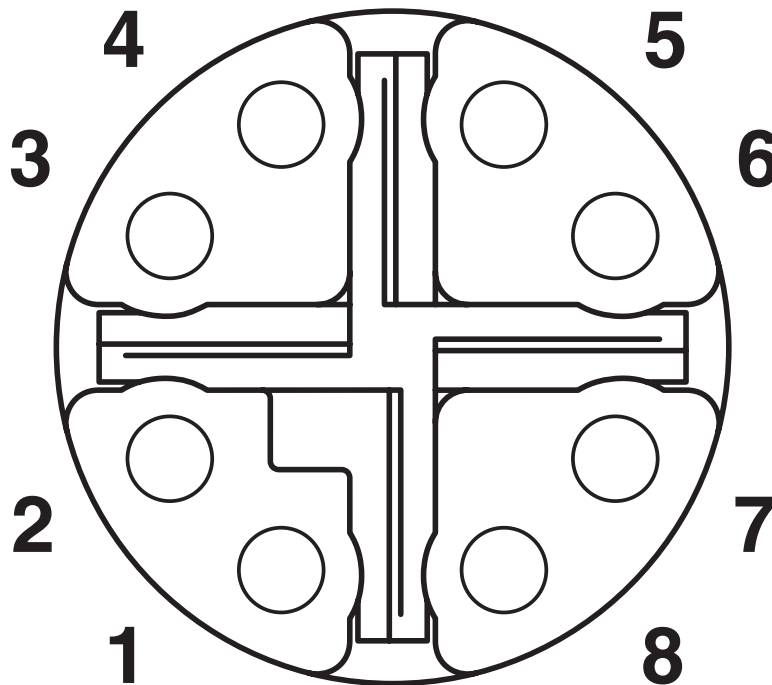
Drawings

Dimensional drawing



M12 female connector contact carrier

Schematic diagram

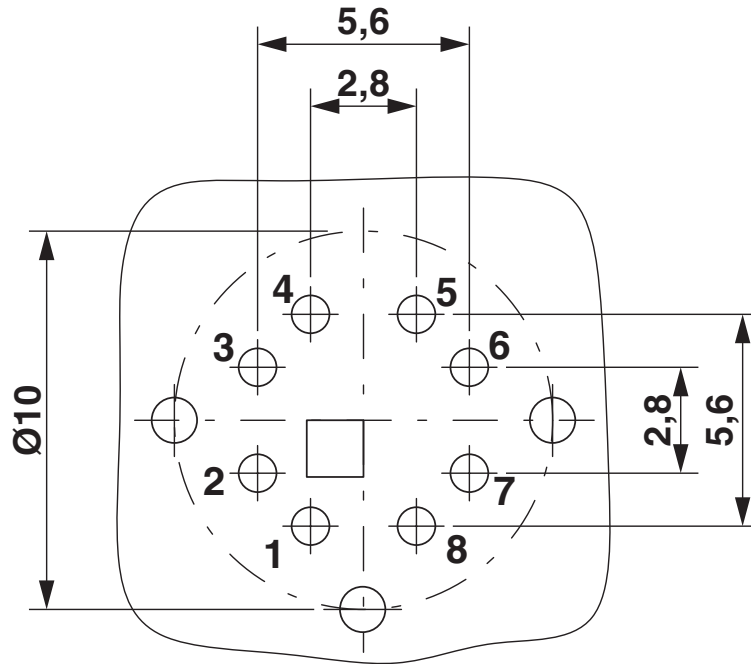


Pin assignment M12 connector, 8-pos., view socket side

1410979

<https://www.phoenixcontact.com/us/products/1410979>

Drilling plan/solder pad geometry



Soldering pad geometry

SACC-CI-M12FSX-8CON-L180-THR - Contact carrier





1410979

<https://www.phoenixcontact.com/us/products/1410979>

Approvals

To download certificates, visit the product detail page: <https://www.phoenixcontact.com/us/products/1410979>

 cUL Recognized Approval ID: E335024-20120308				
	Nominal voltage U_N	Nominal current I_N	Cross section AWG	Cross section mm^2
keine				
	60 V	0.5 A	-	-

 UL Recognized Approval ID: E335024-20120308				
	Nominal voltage U_N	Nominal current I_N	Cross section AWG	Cross section mm^2
keine				
	60 V	0.5 A	-	-

1410979

<https://www.phoenixcontact.com/us/products/1410979>

Classifications

ECLASS

ECLASS-13.0	27440223
ECLASS-15.0	27440223

ETIM

ETIM 9.0	EC003557
----------	----------

UNSPSC

UNSPSC 21.0	39121413
-------------	----------

1410979

<https://www.phoenixcontact.com/us/products/1410979>

Environmental product compliance

EU RoHS

Fulfills EU RoHS substance requirements	Yes, No exemptions
---	--------------------

China RoHS

Environment friendly use period (EFUP)	EFUP-E
	No hazardous substances above the limits

EU REACH SVHC

REACH candidate substance (CAS No.)	No substance above 0.1 wt%
-------------------------------------	----------------------------

Phoenix Contact 2026 © - all rights reserved
<https://www.phoenixcontact.com>

Phoenix Contact USA
586 Fulling Mill Road
Middletown, PA 17057, United States
(+717) 944-1300
info@phoenixcon.com