

SAC-2P- 1,5-PUR/SUSFS - Sensor/actuator cable



1410748

<https://www.phoenixcontact.com/us/products/1410748>

Please be informed that the data shown in this PDF document is generated from our online catalog. Please find the complete data in the user documentation. Our general terms of use for downloads are valid.



Sensor/actuator cable, 2-position, PUR halogen-free, black-gray RAL 7021, free cable end, on Socket straight Superseal Clip locking, coding: A, cable length: 1.5 m

Commercial data

| | |
|--------------------------------------|---------------|
| Item number | 1410748 |
| Packing unit | 1 pc |
| Minimum order quantity | 1 pc |
| Sales key | BF08 |
| Product key | AF1DWA |
| GTIN | 4046356924351 |
| Weight per piece (including packing) | 60.971 g |
| Weight per piece (excluding packing) | 59.31 g |
| Customs tariff number | 85444290 |
| Country of origin | DE |

SAC-2P- 1,5-PUR/SUSFS - Sensor/actuator cable



1410748

<https://www.phoenixcontact.com/us/products/1410748>

Technical data

Product properties

| | |
|----------------------|-----------------------|
| Product type | Sensor/actuator cable |
| Application | Mobile hydraulics |
| Number of positions | 2 |
| No. of cable outlets | 1 |
| Shielded | no |
| Coding | A |

Material specifications

| | |
|--|---------------|
| Flammability rating according to UL 94 | HB |
| Seal material | Silicon |
| Material of grip body | TPU |
| Contact material | PhCuSn |
| Contact surface material | nickel-plated |
| Contact carrier material | PA 6.6 |
| Material for screw connection | not available |

Electrical properties

| | |
|-----------------------|----------------------------|
| Insulation resistance | $\geq 100 \text{ M}\Omega$ |
| Nominal voltage U_N | 24 V AC 24 V DC |
| Nominal current I_N | 8 A |

Signaling

| | |
|------------------------|----|
| Status display | no |
| Status display present | no |

Connector

Connection 1

| | |
|------|----------------|
| Type | free cable end |
|------|----------------|

Connection 2

| | |
|---------------------|--|
| Type | Socket straight Superseal Clip locking |
| Number of positions | 2 |
| Locking type | Clip locking |
| Coding type | A |

Cable/line

| | |
|--------------|-------|
| Cable length | 1.5 m |
|--------------|-------|

PUR halogen-free black [PUR]

SAC-2P- 1,5-PUR/SUSFS - Sensor/actuator cable



1410748

<https://www.phoenixcontact.com/us/products/1410748>

| | |
|---|---|
| Dimensional drawing |  |
| Cable weight | 33 kg/km |
| UL AWM Style | 20549 / 10493 (80°C/300 V) |
| Number of positions | 2 |
| Shielded | no |
| Cable type | PUR halogen-free black [PUR] |
| Conductor structure signal line | 42x 0.15 mm |
| AWG signal line | 18 |
| Conductor cross-section | 2x 0.75 mm ² (Signal line) |
| Wire diameter incl. insulation | 1.69 mm ±0.05 mm (Signal line) |
| External cable diameter | 4.80 mm ±0.15 mm |
| Outer sheath, material | PUR |
| External sheath, color | black-gray RAL 7021 |
| Conductor material | Bare Cu litz wires |
| Material wire insulation | PP |
| Single wire, color | brown, blue |
| Thickness, insulation | ≥ 0.21 mm |
| Thickness, outer sheath | ≥ 0.38 mm |
| Overall twist | 2 wires, twisted |
| Max. conductor resistance | ≤ 26 Ω/km (at 20 °C) |
| Insulation resistance | ≥ 1 GΩ*km (at 20 °C) |
| Nominal voltage, cable | ≤ 300 V AC |
| Test voltage | ≥ 3000 V AC (Spark test) |
| Minimum bending radius, fixed installation | 5 x D |
| Minimum bending radius, flexible installation | 10 x D |
| Smallest bending radius, fixed installation | 24 mm |
| Smallest bending radius, movable installation | 48 mm |
| Dynamic load capacity (bending) | Max. bending cycles: 4000000, Bending radius: 48 mm, Traversing path: 10 m, Traversing rate: 3 m/s, Acceleration: 10 m/s ² |
| Halogen-free | in accordance with DIN VDE 0472 part 815 in accordance with DIN EN 50267-2-1 |
| Flame resistance | according to UL 758/1581 (horizontal) in accordance with UL 758/1581 FT2 according to DIN EN 60332-2-2 |
| Resistance to oil | According to DIN EN 60811-2-1, 168 h at 100°C according to UL 758, 168 h at 60 °C |

SAC-2P- 1,5-PUR/SUSFS - Sensor/actuator cable



1410748

<https://www.phoenixcontact.com/us/products/1410748>

| | |
|---------------------------------|--|
| Other resistance | hydrolysis and microbe resistant |
| | partly UV-resistant (in accordance with DIN EN ISO 4892-2-A) |
| | Low adhesion |
| | abrasion-resistant |
| Special properties | flexible |
| | Flexible cable conduit capable |
| Ambient temperature (operation) | -40 °C ... 80 °C (cable, fixed installation) |
| | -25 °C ... 80 °C (Cable, flexible installation) |

Environmental and real-life conditions

Ambient conditions

| | |
|---|------------------------------|
| Degree of protection | IP67 |
| | IP69K |
| Ambient temperature (operation) (male connector/female connector) | -20 °C ... 85 °C (Superseal) |

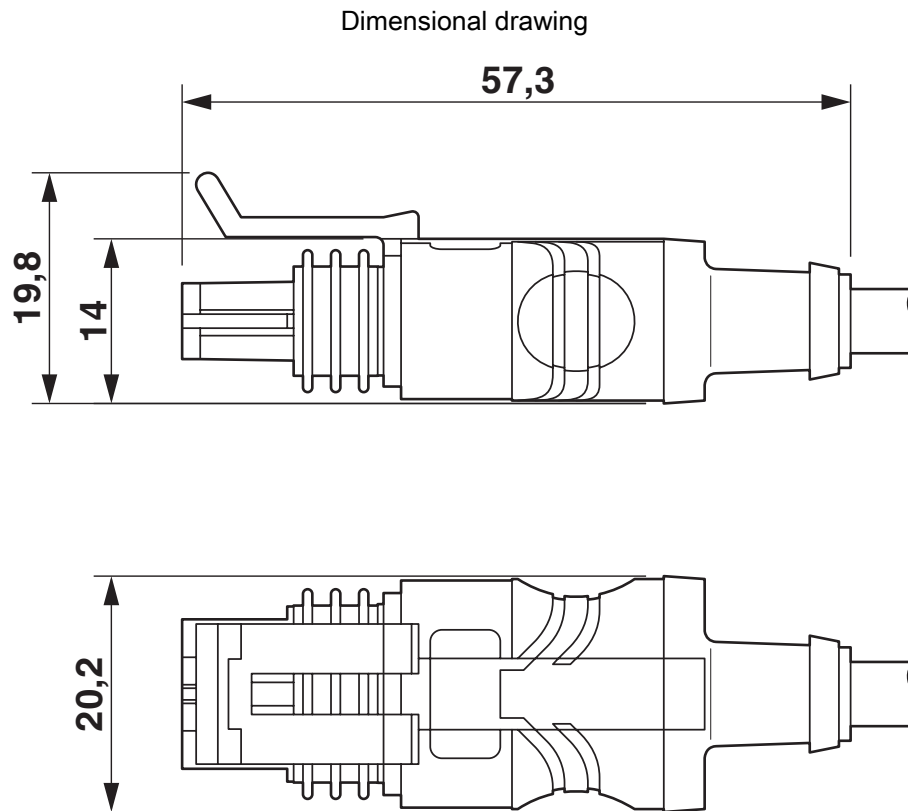
SAC-2P- 1,5-PUR/SUSFS - Sensor/actuator cable



1410748

<https://www.phoenixcontact.com/us/products/1410748>

Drawings



Superseal, socket, view from above and side

SAC-2P- 1,5-PUR/SUSFS - Sensor/actuator cable



1410748

<https://www.phoenixcontact.com/us/products/1410748>

Schematic diagram



Super seal socket pin assignment, 2-pos.

Circuit diagram



Contact assignment of the super seal socket

SAC-2P- 1,5-PUR/SUSFS - Sensor/actuator cable



1410748

<https://www.phoenixcontact.com/us/products/1410748>

Approvals

To download certificates, visit the product detail page: <https://www.phoenixcontact.com/us/products/1410748>



EAC-RoHS

Approval ID: RU D-DE.HB35.B.00387

SAC-2P- 1,5-PUR/SUSFS - Sensor/actuator cable



1410748

<https://www.phoenixcontact.com/us/products/1410748>

Classifications

ECLASS

| | |
|-------------|----------|
| ECLASS-13.0 | 27060311 |
| ECLASS-15.0 | 27060311 |

ETIM

| | |
|-----------|----------|
| ETIM 10.0 | EC001855 |
|-----------|----------|

UNSPSC

| | |
|-------------|----------|
| UNSPSC 21.0 | 26121600 |
|-------------|----------|

SAC-2P- 1,5-PUR/SUSFS - Sensor/actuator cable



1410748

<https://www.phoenixcontact.com/us/products/1410748>

Environmental product compliance

EU RoHS

| | |
|---|--------------------|
| Fulfills EU RoHS substance requirements | Yes, No exemptions |
|---|--------------------|

China RoHS

| | |
|--|--|
| Environment friendly use period (EFUP) | EFUP-E |
| | No hazardous substances above the limits |

EU REACH SVHC

| | |
|-------------------------------------|----------------------------|
| REACH candidate substance (CAS No.) | No substance above 0.1 wt% |
|-------------------------------------|----------------------------|

EF3.1 Climate Change

| | |
|---------|---------------|
| CO2e kg | 0.855 kg CO2e |
|---------|---------------|

Phoenix Contact 2026 © - all rights reserved
<https://www.phoenixcontact.com>

Phoenix Contact USA
586 Fulling Mill Road
Middletown, PA 17057, United States
(+717) 944-1300
info@phoenixcon.com