

SAC-4PY-MT/2XFT VP - Y distributor



1410632

<https://www.phoenixcontact.com/us/products/1410632>

Please be informed that the data shown in this PDF document is generated from our online catalog. Please find the complete data in the user documentation. Our general terms of use for downloads are valid.

Y distributor, 4-position, Plug straight M12, coding: T, on Socket straight M12, coding: T and Socket straight M12, coding: T, For direct current up to 12 A/63 V



Your advantages

- High-performance: DC connectors for up to 12 A and 63 V DC

Commercial data

| | |
|--------------------------------------|---------------|
| Item number | 1410632 |
| Packing unit | 5 pc |
| Minimum order quantity | 1 pc |
| Sales key | BF10 |
| Product key | AF1GAP |
| GTIN | 4046356924726 |
| Weight per piece (including packing) | 38.36 g |
| Weight per piece (excluding packing) | 38.36 g |
| Customs tariff number | 85366990 |
| Country of origin | PL |

SAC-4PY-MT/2XFT VP - Y distributor

1410632

<https://www.phoenixcontact.com/us/products/1410632>

Technical data

Product properties

| | |
|----------------------|---------------|
| Product type | Y-distributor |
| Application | Energy supply |
| Number of positions | 4 |
| No. of cable outlets | 2 |
| Shielded | no |
| Coding | T |
| Thread type | M12 |

Insulation characteristics

| | |
|----------------------|-----|
| Overvoltage category | III |
| Degree of pollution | 3 |

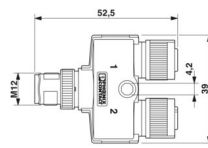
Electrical properties

| | |
|-----------------------|----------------------------|
| Insulation resistance | $\geq 100 \text{ M}\Omega$ |
| Nominal voltage U_N | 63 V DC |
| Nominal current I_N | 2x 12 A (at 40 °C) |

Signaling

| | |
|------------------------|----|
| Status display | no |
| Status display present | no |

Dimensions

| | |
|---------------------|--|
| Dimensional drawing |  |
| Length | 52.5 mm |
| Center distance | 21 mm |

Material specifications

| | |
|--|---|
| Flammability rating according to UL 94 | HB |
| Seal material | NBR |
| Material of grip body | TPU, hardly inflammable, self-extinguishing |
| Contact material | CuZn |
| Contact surface material | Ni/Au |
| Contact carrier material | PA |
| Material for screw connection | Zinc die-cast, nickel-plated |

Connector

Connection 1

SAC-4PY-MT/2XFT VP - Y distributor



1410632

<https://www.phoenixcontact.com/us/products/1410632>

| | |
|-------------|-------------------|
| Type | Plug straight M12 |
| Coding type | T |

Connection 2

| | |
|-------------|---------------------|
| Type | Socket straight M12 |
| Coding type | T |

Connection 3

| | |
|-------------|---------------------|
| Type | Socket straight M12 |
| Coding type | T |

Mechanical properties

Mechanical data

| | |
|-----------------------------|-------|
| Insertion/withdrawal cycles | ≥ 100 |
|-----------------------------|-------|

Environmental and real-life conditions

Ambient conditions

| | |
|---|----------------------------------|
| Degree of protection | IP65 |
| | IP67 |
| Ambient temperature (operation) (male connector/female connector) | -25 °C ... 85 °C (Plug / socket) |

Standards and regulations

| | |
|--------------------------|-----------------|
| Standard designation | M12 connector |
| Standards/specifications | IEC 61076-2-111 |

SAC-4PY-MT/2XFT VP - Y distributor

1410632

<https://www.phoenixcontact.com/us/products/1410632>

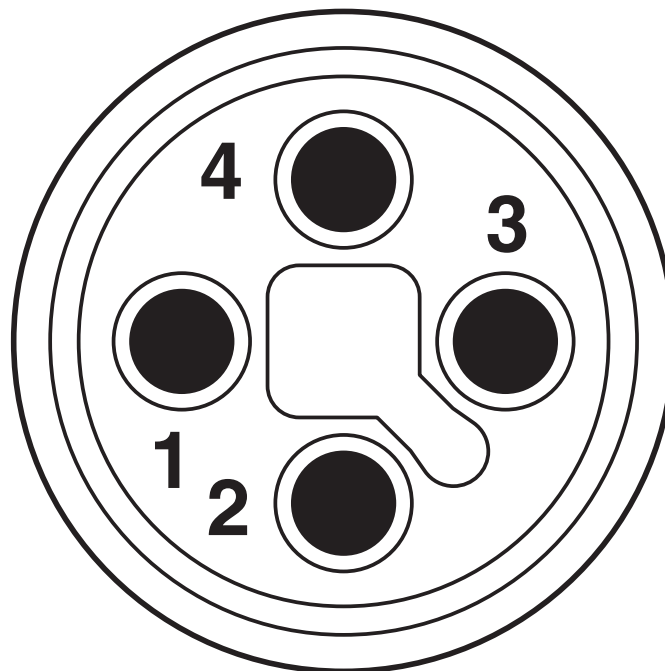
Drawings

Dimensional drawing



M12 Y distributor

Schematic diagram



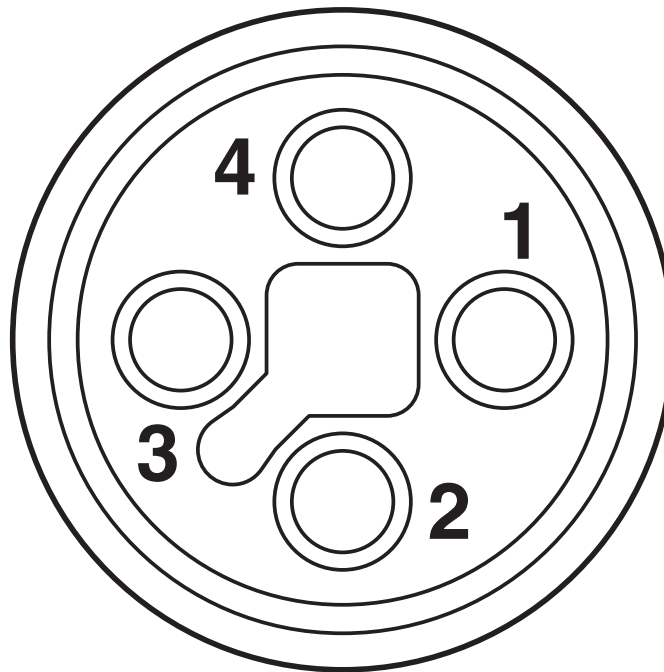
Pin assignment for M12 plug, 4-pos., T-coded, view of plug side

SAC-4PY-MT/2XFT VP - Y distributor

1410632

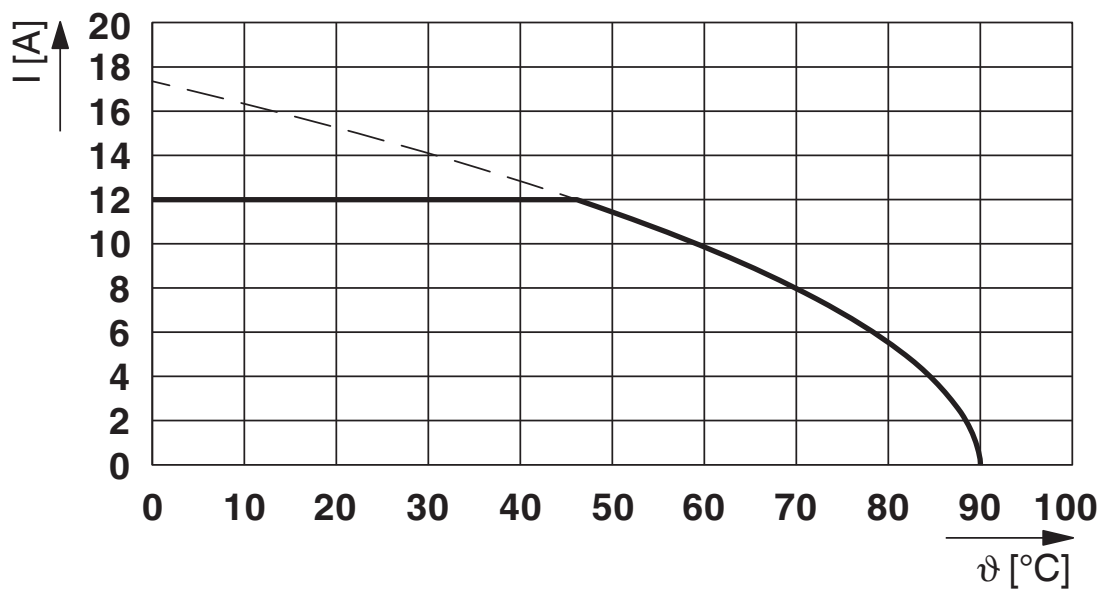
<https://www.phoenixcontact.com/us/products/1410632>

Schematic diagram



Pin assignment of M12 socket, 4-pos., T-coded, socket side view

Diagram



Current carrying capacity

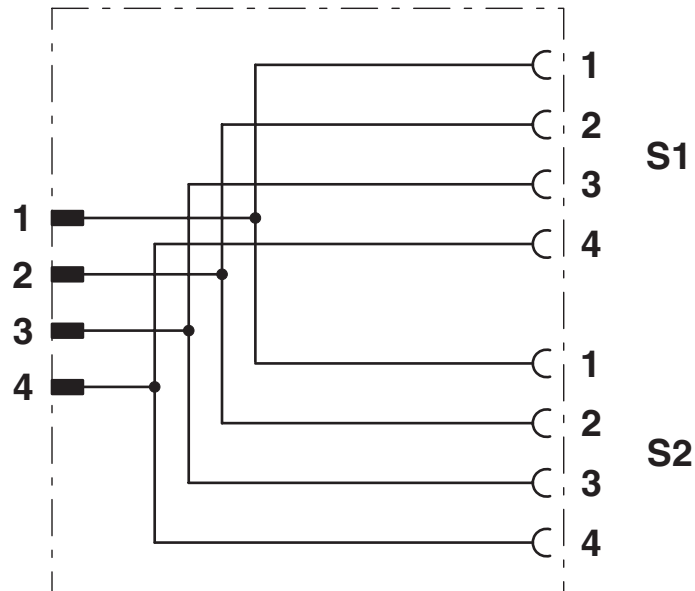
SAC-4PY-MT/2XFT VP - Y distributor

1410632

<https://www.phoenixcontact.com/us/products/1410632>



Circuit diagram



Contact assignment of the M12 Y distributor

SAC-4PY-MT/2XFT VP - Y distributor



1410632

<https://www.phoenixcontact.com/us/products/1410632>

Classifications

ECLASS

| | |
|-------------|----------|
| ECLASS-13.0 | 27440106 |
| ECLASS-15.0 | 27440106 |

ETIM

| | |
|-----------|----------|
| ETIM 10.0 | EC002925 |
|-----------|----------|

UNSPSC

| | |
|-------------|----------|
| UNSPSC 21.0 | 31251500 |
|-------------|----------|

SAC-4PY-MT/2XFT VP - Y distributor



1410632

<https://www.phoenixcontact.com/us/products/1410632>

Environmental product compliance

EU RoHS

| | |
|---|--------------------|
| Fulfills EU RoHS substance requirements | Yes, No exemptions |
|---|--------------------|

China RoHS

| | |
|--|--|
| Environment friendly use period (EFUP) | EFUP-E |
| | No hazardous substances above the limits |

EU REACH SVHC

| | |
|-------------------------------------|----------------------------|
| REACH candidate substance (CAS No.) | No substance above 0.1 wt% |
|-------------------------------------|----------------------------|

EF3.1 Climate Change

| | |
|---------|---------------|
| CO2e kg | 2.826 kg CO2e |
|---------|---------------|

Phoenix Contact 2026 © - all rights reserved
<https://www.phoenixcontact.com>

Phoenix Contact USA
586 Fulling Mill Road
Middletown, PA 17057, United States
(+717) 944-1300
info@phoenixcon.com