

SAC-8PY-MY/M-FD SH - Y distributor



1410630

<https://www.phoenixcontact.com/us/products/1410630>

Please be informed that the data shown in this PDF document is generated from our online catalog. Please find the complete data in the user documentation. Our general terms of use for downloads are valid.



Y distributor, Ethernet hybrid CAT5 (100 Mbps), 8-position, shielded, Plug straight M12, coding: Y, on Socket straight M12, coding: D and Plug straight M12, coding: A, Power with Ethernet (PWE), Thread M12 plug A-coded and M12 socket not rotatable

Your advantages

- Safe use in the field, thanks to a high degree of protection
- Reliable signal transmission – 360° shielding in environments with electromagnetic interference

Commercial data

Item number	1410630
Packing unit	1 pc
Minimum order quantity	1 pc
Sales key	BF10
Product key	AF1GAC
GTIN	4046356924719
Weight per piece (including packing)	43.6 g
Weight per piece (excluding packing)	43.3 g
Customs tariff number	85366990
Country of origin	PL

SAC-8PY-MY/M-FD SH - Y distributor

1410630

<https://www.phoenixcontact.com/us/products/1410630>

Technical data

Product properties

Product type	Y-distributor
Application	Standard
Sensor type	Ethernet hybrid
Number of positions	8
No. of cable outlets	2
Shielded	yes
Coding	Y
Thread type	M12

Insulation characteristics

Overvoltage category	III
Degree of pollution	3

Electrical properties

Insulation resistance	$\geq 100 \text{ M}\Omega$
Nominal voltage U_N	30 V AC (Power and data) 30 V DC (Power and data)
Nominal current I_N	6 A (Power) 1.5 A (Data)
Transmission medium	Copper
Transmission speed	100 Mbps

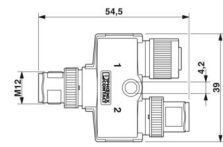
Interfaces

Bus system	Ethernet
Signal type/category	Ethernet hybrid CAT5 (IEC 11801), 100 Mbps

Signaling

Status display	no
Status display present	no

Dimensions

Dimensional drawing	
Center distance	21 mm

Material specifications

Material	PP (Contact carrier, Y-coded, data) PA 6.6 (Contact carrier, Y-coded, power)
----------	---

SAC-8PY-MY/M-FD SH - Y distributor



1410630

<https://www.phoenixcontact.com/us/products/1410630>

	TPE-U (Contact carrier, A-coded)
	TPE-U (Contact carrier, D-coded)
Flammability rating according to UL 94	HB
Seal material	NBR
Material of grip body	TPU, hardly inflammable, self-extinguishing
Contact material	CuZn
Contact surface material	Ni/Au
Material for screw connection	Zinc die-cast, nickel-plated

Connector

Connection 1

Type	Plug straight M12
Coding type	Y

Connection 2

Type	Socket straight M12
Coding type	D

Connection 3

Type	Plug straight M12
Coding type	A

Cable/line

Signal type/category	Ethernet hybrid CAT5 (IEC 11801), 100 Mbps
----------------------	--

Mechanical properties

Mechanical data

Insertion/withdrawal cycles	≥ 100
-----------------------------	-------

Environmental and real-life conditions

Ambient conditions

Degree of protection	IP65
	IP67
Ambient temperature (operation) (male connector/female connector)	-25 °C ... 80 °C (Plug / socket)

Standards and regulations

Standard designation	M12 connector
Standards/specifications	IEC 61076-2-101
Standard designation	M12 connector
Standards/specifications	IEC 61076-2-113

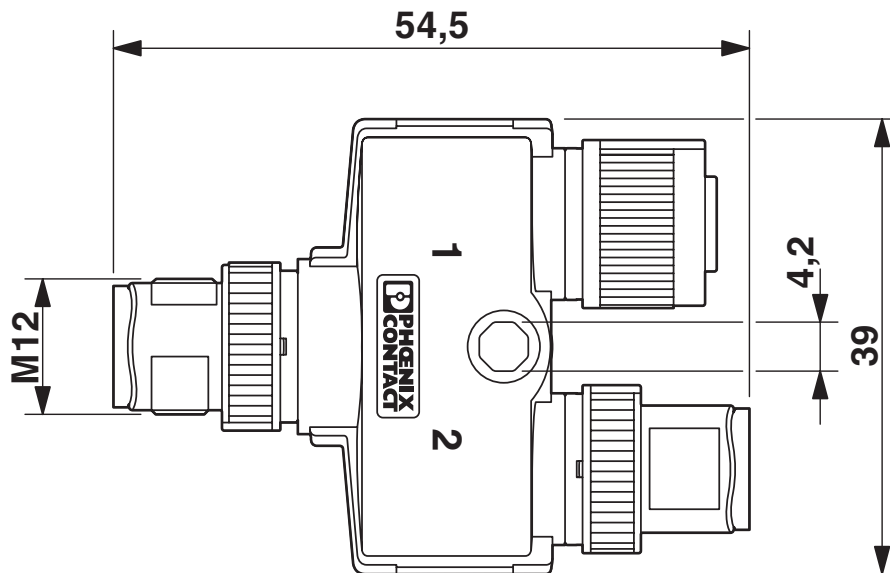
SAC-8PY-MY/M-FD SH - Y distributor

1410630

<https://www.phoenixcontact.com/us/products/1410630>

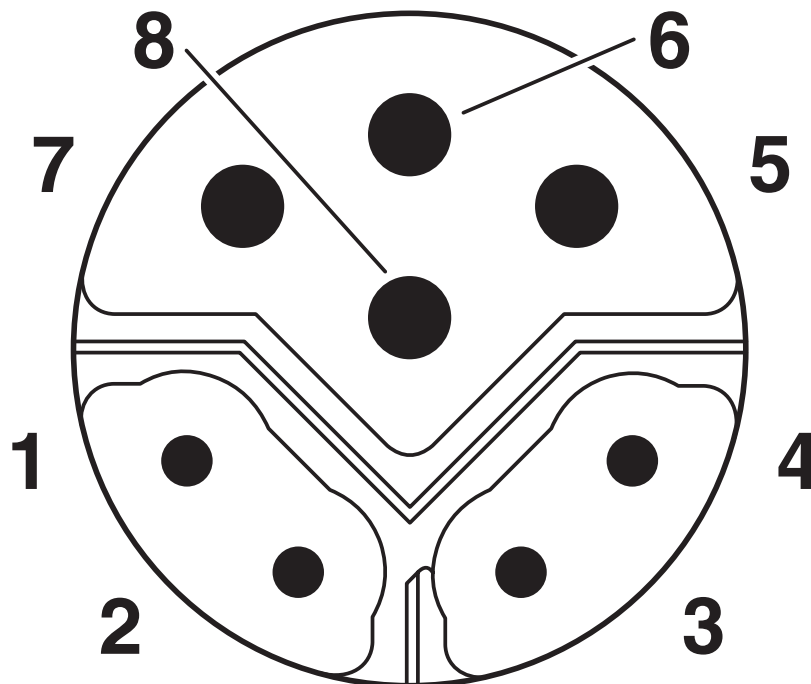
Drawings

Dimensional drawing



M12 Y distributor

Schematic diagram



M12 hybrid plug pin assignment, 8-pos., Y-coded, pin side view

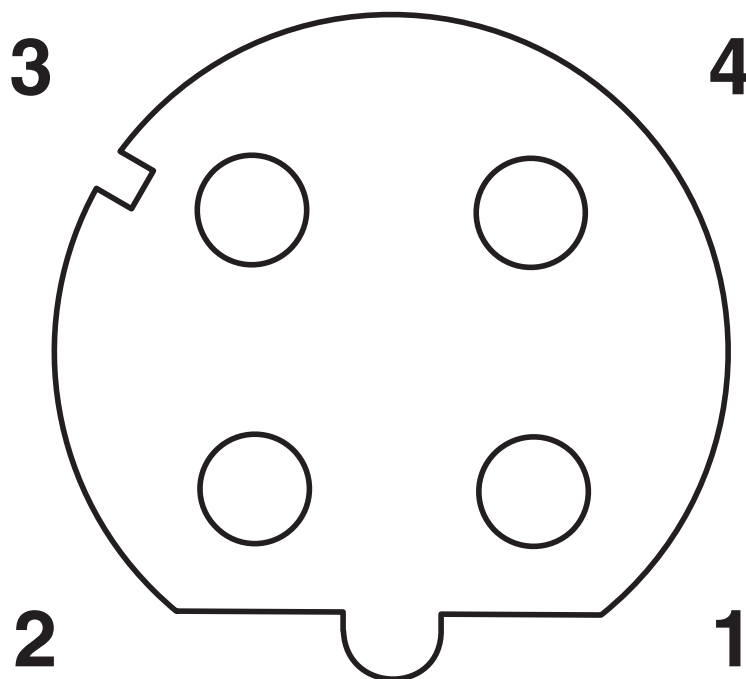
SAC-8PY-MY/M-FD SH - Y distributor

1410630

<https://www.phoenixcontact.com/us/products/1410630>



Schematic diagram



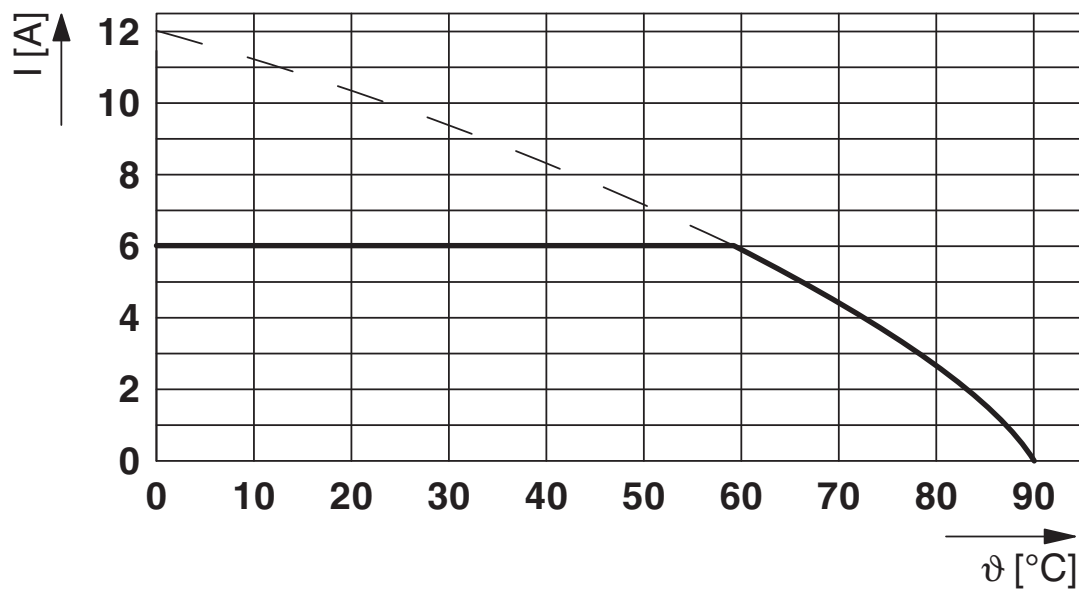
Pin assignment M12 socket, 4-pos., D-coded, female side

Schematic diagram



Pin assignment M12 plug, 4-pos., A-coded, view plug side

Diagram



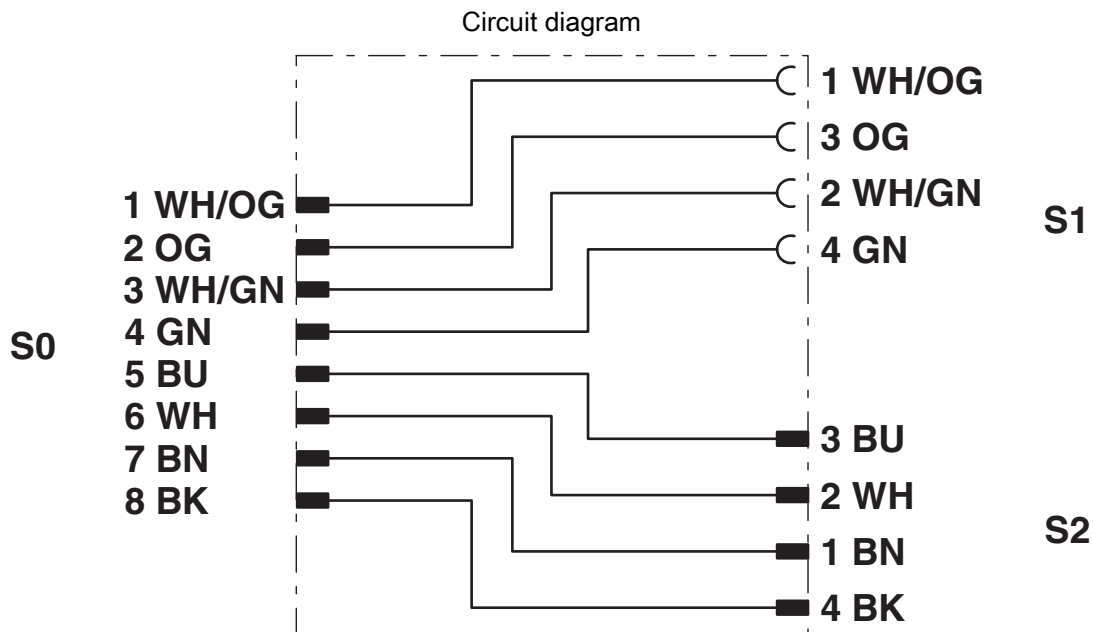
Current carrying capacity

SAC-8PY-MY/M-FD SH - Y distributor



1410630

<https://www.phoenixcontact.com/us/products/1410630>



Contact assignment of the M12 Y distributor

SAC-8PY-MY/M-FD SH - Y distributor



1410630

<https://www.phoenixcontact.com/us/products/1410630>

Classifications

ECLASS

ECLASS-13.0	27440106
ECLASS-15.0	27440106

ETIM

ETIM 10.0	EC002925
-----------	----------

UNSPSC

UNSPSC 21.0	31251500
-------------	----------

SAC-8PY-MY/M-FD SH - Y distributor



1410630

<https://www.phoenixcontact.com/us/products/1410630>

Environmental product compliance

EU RoHS

Fulfills EU RoHS substance requirements	Yes, No exemptions
---	--------------------

China RoHS

Environment friendly use period (EFUP)	EFUP-E
	No hazardous substances above the limits

EU REACH SVHC

REACH candidate substance (CAS No.)	No substance above 0.1 wt%
-------------------------------------	----------------------------

EF3.1 Climate Change

CO2e kg	4.695 kg CO2e
---------	---------------

Phoenix Contact 2026 © - all rights reserved
<https://www.phoenixcontact.com>

Phoenix Contact USA
586 Fulling Mill Road
Middletown, PA 17057, United States
(+717) 944-1300
info@phoenixcon.com