

HC-M-KV-M50(24-35) - Cable gland



1409846

<https://www.phoenixcontact.com/us/products/1409846>

Please be informed that the data shown in this PDF document is generated from our online catalog. Please find the complete data in the user documentation. Our general terms of use for downloads are valid.



Metal screw connection up to 5 bar, thread length: 8 mm, cable diameter: 24 ... 35 mm, WAF 55, screw connection: M50

Commercial data

Item number	1409846
Packing unit	5 pc
Minimum order quantity	5 pc
Sales key	BF68
Product key	AF7DAX
GTIN	4046356754354
Weight per piece (including packing)	276.03 g
Weight per piece (excluding packing)	276.03 g
Customs tariff number	74198090
Country of origin	DE

HC-M-KV-M50(24-35) - Cable gland

1409846

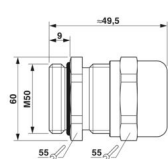
<https://www.phoenixcontact.com/us/products/1409846>

Technical data

Product properties

Product type	Cable screw gland
No. of conductors	1
Type of the screw connection	M50
Shielded	no

Dimensions

Dimensional drawing	
Length	49.5 mm
Length of the connecting thread	9 mm
Hole diameter	50.1 mm ... 50.3 mm
Wrench size, union nut	55 mm
Wrench size, support	55 mm
Hexagon angular dimension	60 mm
Thread type connection side	M50 x 1.5
Thread pitch	1.5 mm

Connection data

Tightening torque	20 Nm (Union nut)
	20 Nm (Support sleeve)

Material specifications

Material Compression ring	PA
Seal material O-ring	NBR
Seal material Cable seal	Neoprene
Material for screw connection	Brass, nickel-plated

Cable/line

External cable diameter	24 mm ... 35 mm
Halogen-free	no

Environmental and real-life conditions

Ambient conditions

Degree of protection	IP68 (up to 5 bar)
Ambient temperature (operation)	-20 °C ... 100 °C

HC-M-KV-M50(24-35) - Cable gland

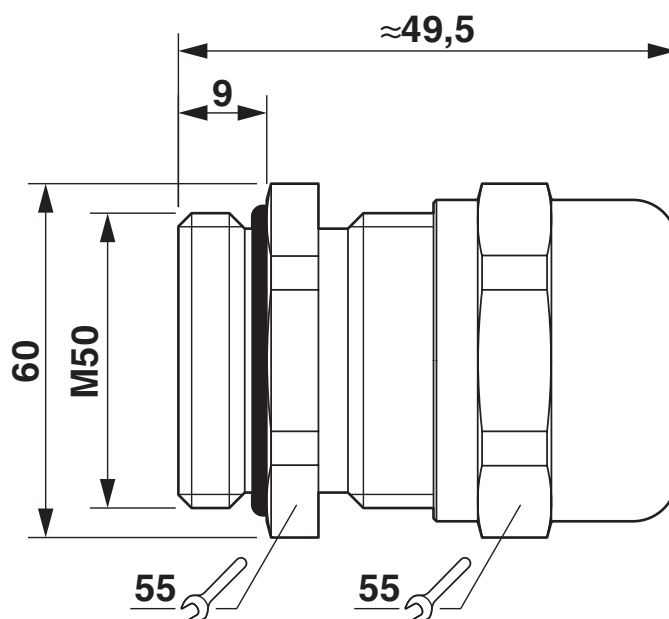
1409846

<https://www.phoenixcontact.com/us/products/1409846>



Drawings

Dimensional drawing



Dimensional drawing

HC-M-KV-M50(24-35) - Cable gland



1409846

<https://www.phoenixcontact.com/us/products/1409846>

Approvals

To download certificates, visit the product detail page: <https://www.phoenixcontact.com/us/products/1409846>



EAC

Approval ID: RU C-DE.AI30.B.01102



EAC-RoHS

Approval ID: RU D-DE.HB35.B.00387

HC-M-KV-M50(24-35) - Cable gland



1409846

<https://www.phoenixcontact.com/us/products/1409846>

Classifications

ECLASS

ECLASS-13.0	27140801
ECLASS-15.0	27140801

ETIM

ETIM 10.0	EC000441
-----------	----------

UNSPSC

UNSPSC 21.0	39121300
-------------	----------

HC-M-KV-M50(24-35) - Cable gland



1409846

<https://www.phoenixcontact.com/us/products/1409846>

Environmental product compliance

EU RoHS

Fulfills EU RoHS substance requirements	Yes
Exemption	6(c)

China RoHS

Environment friendly use period (EFUP)	EFUP-50
	An article-related China RoHS declaration table can be found in the download area for the respective article under "Manufacturer declaration". For all articles with EFUP-E, no China RoHS declaration table issued and required.

EU REACH SVHC

REACH candidate substance (CAS No.)	Lead(CAS: 7439-92-1)
-------------------------------------	----------------------

Phoenix Contact 2026 © - all rights reserved
<https://www.phoenixcontact.com>

Phoenix Contact USA
586 Fulling Mill Road
Middletown, PA 17057, United States
(+717) 944-1300
info@phoenixcon.com