

# PROT-M12FS VPE1000 - Sealing cap



1409252

<https://www.phoenixcontact.com/us/products/1409252>

Please be informed that the data shown in this PDF document is generated from our online catalog. Please find the complete data in the user documentation. Our general terms of use for downloads are valid.



M12 sealing cap for unoccupied M12 plugs of the sensor/actuator cable, flush-type plugs and I/O devices in the field

## Your advantages

- Reliable protection of unoccupied slots during transport and use in the field
- Protected against splash water and dust by the internal seal
- Good haptics due to ribbing on the cap
- Easy assembly without tools

## Commercial data

Item number	1409252
Packing unit	1,000 pc
Minimum order quantity	1,000 pc
Note	Made to order (non-returnable)
Sales key	BF46
Product key	AF3ZAX
GTIN	4046356865111
Weight per piece (including packing)	1.483 g
Weight per piece (excluding packing)	1.4 g
Customs tariff number	39269097
Country of origin	DE

# PROT-M12FS VPE1000 - Sealing cap



1409252

<https://www.phoenixcontact.com/us/products/1409252>

## Technical data

### Material specifications

Flammability rating according to UL 94	HB
Seal material	NBR

### Environmental and real-life conditions

#### Ambient conditions

Degree of protection	IP67
Ambient temperature (operation) (male connector/female connector)	-40 °C ... 90 °C

# PROT-M12FS VPE1000 - Sealing cap

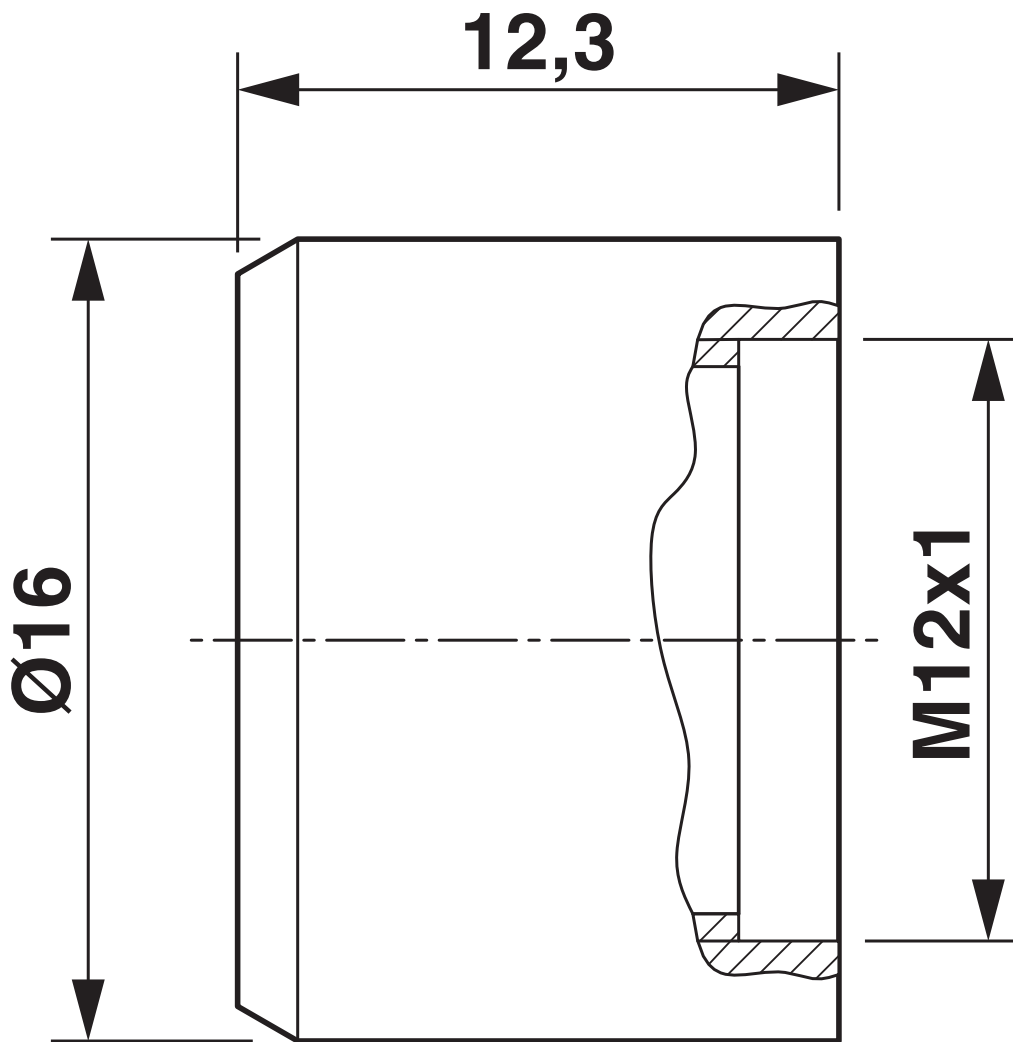


1409252

<https://www.phoenixcontact.com/us/products/1409252>

## Drawings

Dimensional drawing



# PROT-M12FS VPE1000 - Sealing cap



1409252

<https://www.phoenixcontact.com/us/products/1409252>

## Classifications

### ECLASS

ECLASS-13.0	23111190
ECLASS-15.0	27440208

### ETIM

ETIM 10.0	EC002374
-----------	----------

### UNSPSC

UNSPSC 21.0	39121100
-------------	----------

# PROT-M12FS VPE1000 - Sealing cap



1409252

<https://www.phoenixcontact.com/us/products/1409252>

## Environmental product compliance

### EU RoHS

Fulfills EU RoHS substance requirements	Yes, No exemptions
---	--------------------

### China RoHS

Environment friendly use period (EFUP)	EFUP-E
	No hazardous substances above the limits

### EU REACH SVHC

REACH candidate substance (CAS No.)	No substance above 0.1 wt%
-------------------------------------	----------------------------

Phoenix Contact 2026 © - all rights reserved  
<https://www.phoenixcontact.com>

Phoenix Contact USA  
586 Fulling Mill Road  
Middletown, PA 17057, United States  
(+717) 944-1300  
[info@phoenixcon.com](mailto:info@phoenixcon.com)