

HC-EVO-B24PT-BWSC-HH-M32-PLRBK - Connector set



1408794

<https://www.phoenixcontact.com/us/products/1408794>

Please be informed that the data shown in this PDF document is generated from our online catalog. Please find the complete data in the user documentation. Our general terms of use for downloads are valid.



EVO connector set, B24 series, plastic housing, consisting of sleeve housing, panel mounting base, push-in contact inserts: 1407735, 1407736, 1407660, 1407656, 1407671

Your advantages

- Lower costs than metal version
- Labeling option using 9 x 20 mm marking label
- Low weight
- Lower risk of condensation

Commercial data

Item number	1408794
Packing unit	1 pc
Minimum order quantity	1 pc
Sales key	BF63
Product key	AF7AFX
GTIN	4046356834117
Weight per piece (including packing)	615.8 g
Weight per piece (excluding packing)	615.8 g
Customs tariff number	85366990
Country of origin	CN

HC-EVO-B24PT-BWSC-HH-M32-PLRBK - Connector set



1408794

<https://www.phoenixcontact.com/us/products/1408794>

Set consists of

HC-B24-I-PT-F - Contact insert

1407735

<https://www.phoenixcontact.com/us/products/1407735>



Contact insert, number of positions: 24+PE, size: B24, number of connections per position: 1, Socket, Push-in connection, 500 V, 16 A, 0.14 mm² ... 2.5 mm², application: Power

HC-B24-I-PT-M - Contact insert

1407736

<https://www.phoenixcontact.com/us/products/1407736>



Contact insert, number of positions: 24+PE, size: B24, number of connections per position: 1, Pin, Push-in connection, 500 V, 16 A, 0.14 mm² ... 2.5 mm², application: Power

HC-EVO-B24PT-BWSC-HH-M32-PLRBK - Connector set



1408794

<https://www.phoenixcontact.com/us/products/1408794>

HC-EVO-B24-BWSC-PLRBK - Housing

1407660

<https://www.phoenixcontact.com/us/products/1407660>



Panel mounting base B24, with single locking latch, material: PA 6.6-FR, protective cover material: PC, height: 30.5 mm, cable gland: none, protective cover: yes, Standard, with flat gasket

HC-EVO-B24-HHFS-PLBK - Housing

1407656

<https://www.phoenixcontact.com/us/products/1407656>



HEAVYCON EVO sleeve housing, plastic, with bayonet flange for EVO screw connection, B24, for single locking latch, height: 87.5 mm, without EVO screw connection

HC-EVO-B24PT-BWSC-HH-M32-PLRBK - Connector set



1408794

<https://www.phoenixcontact.com/us/products/1408794>

HC-B-G-M32-PLRBK - Cable gland

1407671

<https://www.phoenixcontact.com/us/products/1407671>



EVO plastic cable gland with bayonet locking, for housing series B, size M32, cable diameter: 11 mm ... 21 mm

HC-EVO-B24PT-BWSC-HH-M32-PLRBK - Connector set



1408794

<https://www.phoenixcontact.com/us/products/1408794>

Technical data

Notes

General	Connectors may be operated only when there is no load/voltage.
---------	--

Product properties

Product type	Connector set
Housing type	Complete housing
Series	HC-B
Type	B24
Number of positions	24
Connection profile	24+PE
Contact numbering	1 - 24
No. of cable outlets	1
Type of the screw connection	1x M32
Protective cover	yes
Cable outlet	straight
Pg screw connection	none

Insulation characteristics

Overvoltage category	III
Degree of pollution	3

Electrical properties

Rated voltage (III/3)	500 V
Rated surge voltage	6 kV
Rated current	16 A

Connection data

Connection method	Push-in connection
Connection technology	Push-in connection
Conductor cross-section	0.14 mm ² ... 2.5 mm ² (with ferrule) 0.14 mm ² ... 2.5 mm ² (with ferrule)
Connection cross section AWG	26 ... 14 (with ferrule)
Tightening torque	0.5 Nm ... 1.7 Nm (Fixing screws for panel mounting base)
Stripping length	8 mm ... 10 mm

Dimensions

Dimensional drawing	
Width	53 mm

HC-EVO-B24PT-BWSC-HH-M32-PLRBK - Connector set



1408794

<https://www.phoenixcontact.com/us/products/1408794>

Height	130 mm
Length	140.5 mm
Drill hole distance, horizontal	129.5 mm
Drill hole distance, vertical	32 mm

Installation dimensions

Width of the assembly cutout	35 mm
Length of the assembly cutout	113 mm

Material specifications

Material Protective cover	PA
Flammability rating according to UL 94	V0
Seal material Profile gasket	NBR
Seal material Flat gasket	NBR
Housing material	PA
Contact material	Copper alloy
Contact surface material	Ag
Contact carrier material	PA
Locking latch material	PA

Cable/line

External cable diameter	11 mm ... 21 mm
-------------------------	-----------------

Mechanical properties

Mechanical data

Type of the screw connection	1x M32
Locking type	Latch
Insertion/withdrawal cycles	≥ 500

Environmental and real-life conditions

Ambient conditions

Degree of protection	IP66
Enclosure rating (NEMA)	12 (UL 50e)
Impact strength	IK09
Ambient temperature (operation)	-40 °C ... 100 °C

Mounting

Assembly note	Coding also using the CP-HC (1686478) coding profiles. HC-B6.. / HC-B10..for two coding profiles. HC-B16.. / HC-B24..for four coding profiles. Connectors may only be operated when there is no load/the power is switched off. Can be used for solid wires and stranded wires with ferrule.
---------------	---

HC-EVO-B24PT-BWSC-HH-M32-PLRBK - Connector set

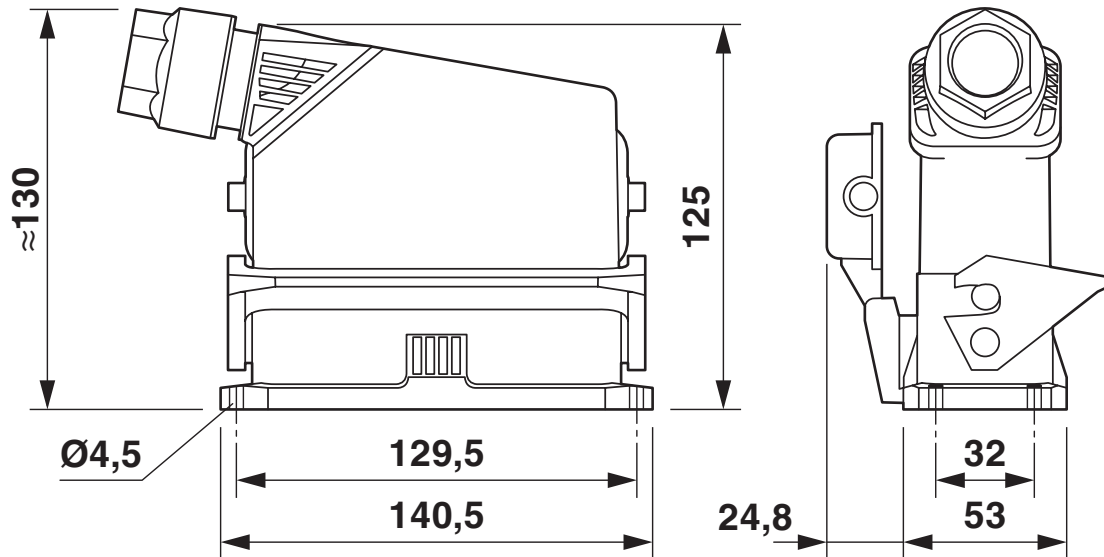


1408794

<https://www.phoenixcontact.com/us/products/1408794>

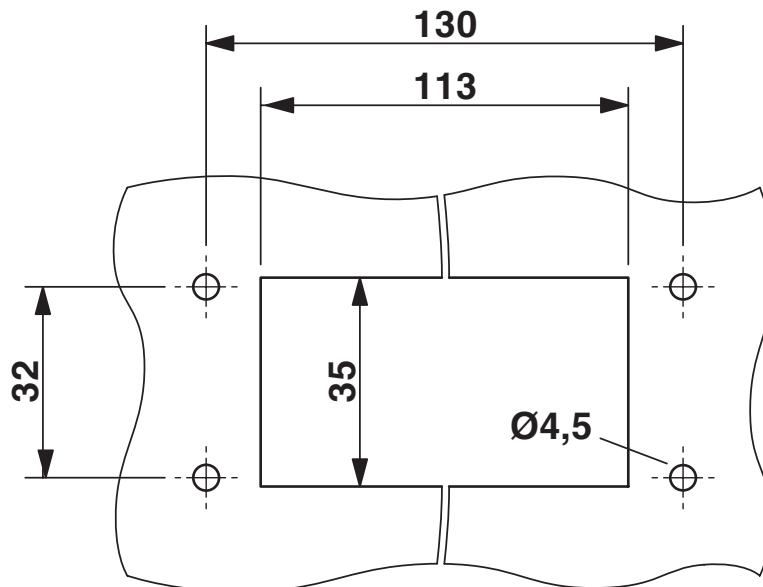
Drawings

Dimensional drawing



Dimensional drawing

Dimensional drawing



Mounting cutout

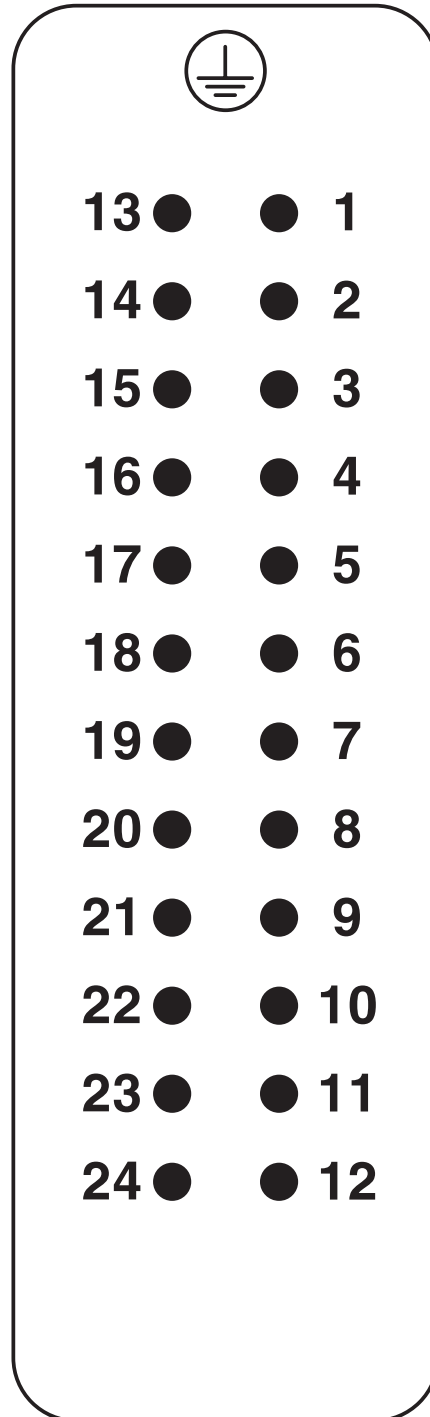
HC-EVO-B24PT-BWSC-HH-M32-PLRBK - Connector set



1408794

<https://www.phoenixcontact.com/us/products/1408794>

Schematic diagram



Pin assignment, connection side, pin

HC-EVO-B24PT-BWSC-HH-M32-PLRBK - Connector set



1408794

<https://www.phoenixcontact.com/us/products/1408794>

Schematic diagram



Pin assignment, connection side, socket

HC-EVO-B24PT-BWSC-HH-M32-PLRBK - Connector set



1408794

<https://www.phoenixcontact.com/us/products/1408794>



Derating diagram

HC-EVO-B24PT-BWSC-HH-M32-PLRBK - Connector set



1408794

<https://www.phoenixcontact.com/us/products/1408794>

Approvals

🔗 To download certificates, visit the product detail page: <https://www.phoenixcontact.com/us/products/1408794>

DNV

Approval ID: TAE000037S

HC-EVO-B24PT-BWSC-HH-M32-PLRBK - Connector set



1408794

<https://www.phoenixcontact.com/us/products/1408794>

Classifications

ECLASS

ECLASS-13.0	27440113
ECLASS-15.0	27440113

ETIM

ETIM 10.0	EC002636
-----------	----------

UNSPSC

UNSPSC 21.0	39121400
-------------	----------

HC-EVO-B24PT-BWSC-HH-M32-PLRBK - Connector set



1408794

<https://www.phoenixcontact.com/us/products/1408794>

Environmental product compliance

EU RoHS

Fulfills EU RoHS substance requirements	Yes, No exemptions
---	--------------------

China RoHS

Environment friendly use period (EFUP)	EFUP-E
	No hazardous substances above the limits

EU REACH SVHC

REACH candidate substance (CAS No.)	No substance above 0.1 wt%
-------------------------------------	----------------------------

Phoenix Contact 2026 © - all rights reserved
<https://www.phoenixcontact.com>

Phoenix Contact USA
586 Fulling Mill Road
Middletown, PA 17057, United States
(+717) 944-1300
info@phoenixcon.com