

# NBC-FSD-R4AC SCO-EC/.../... - Network cable



1408589

<https://www.phoenixcontact.com/us/products/1408589>

Please be informed that the data shown in this PDF document is generated from our online catalog. Please find the complete data in the user documentation. Our general terms of use for downloads are valid.



Network cable, EtherCAT® CAT5 (100 Mbps), 4-position, Variable cable type, shielded, Plug straight RJ45 / IP20, on Socket straight M12 SPEEDCON, coding: D / IP67, cable length: Free input (0.2 ... 40.0 m)

## Commercial data

Item number	1408589
Packing unit	1 pc
Note	Made to order (non-returnable)
Sales key	BF04
Product key	AF1CJP
Customs tariff number	85444290
Country of origin	PL

1408589

<https://www.phoenixcontact.com/us/products/1408589>

## Technical data

### Product properties

Product type	Data cable preassembled
Application	Standard
Sensor type	EtherCAT®
Number of positions	4
Shielded	yes
Coding	D

### Interfaces

Bus system	EtherCAT®
Signal type/category	EtherCAT® CAT5 (IEC 11801), 100 Mbps

### Signaling

Status display	no
Status display present	no

### Electrical properties

Nominal voltage $U_N$	48 V AC
	60 V DC
Nominal current $I_N$	1 A
Transmission medium	Copper
Transmission speed	100 Mbps
Transmission characteristics (category)	CAT5 (IEC 11801:2002)

### Material specifications

Seal material	NBR
---------------	-----

### Connector

#### Connection 1

Type	Plug straight RJ45 / IP20
Number of positions	4 (8)
Handle color	black
Material	CuSn (Contact)
	Ni/Au (Contact surface)
	PA (Contact carrier)
	PA (Housing)
Insertion/withdrawal cycles	≥ 750
Degree of protection	IP20
Ambient temperature (operation)	-25 °C ... 80 °C

#### Connection 2

Type	Socket straight M12 SPEEDCON / IP67
------	-------------------------------------

# NBC-FSD-R4AC SCO-EC/.../... - Network cable



1408589

<https://www.phoenixcontact.com/us/products/1408589>

Number of positions	4
Locking type	SPEEDCON
Coding type	D (Data)
Handle color	black
Material	CuSn (Contact) Ni/Au (Contact surface) TPU GF (Contact carrier) TPU, hardly inflammable, self-extinguishing (Grip body) Zinc die-cast, nickel-plated (Screw connection)
Insertion/withdrawal cycles	≥ 100
Insulation resistance	≥ 100 MΩ
Tightening torque	0.4 Nm
Degree of protection	IP67
Ambient temperature (operation)	-25 °C ... 90 °C

## Cable/line

Cable length	Free input (0.2 ... 40.0 m)
--------------	-----------------------------

### EtherCAT® [93G]

Cable weight	67 kg/km
UL AWM Style	21694
Number of positions	4
Shielded	yes
Cable type	EtherCAT® [93G] EtherCAT® 93G
Conductor structure	1x4xAWG22/7, SF/TQ
Signal runtime	5.3 ns/m
Signal speed	0.66 c
Conductor structure signal line	7x 0.25 mm
AWG signal line	22
Conductor cross-section	4x 0.34 mm <sup>2</sup>
Wire diameter incl. insulation	1.55 mm
External cable diameter	6.50 mm ±0.2 mm
Outer sheath, material	PVC
External sheath, color	green RAL 6018
Conductor material	Tin-plated Cu litz wires
Material wire insulation	PE
Single wire, color	white, yellow, blue, orange
Thickness, outer sheath	approx. 0.90 mm
Overall twist	Star quad
Shielding	Aluminum-coated foil, tinned copper braided shield
Optical shield covering	85 %
Insulation resistance	≥ 500 MΩ*km
Coupling resistance	≤ 20.00 mΩ/m (at 10 MHz)

# NBC-FSD-R4AC SCO-EC/.../... - Network cable



1408589

<https://www.phoenixcontact.com/us/products/1408589>

Loop resistance	≤ (per km)
Wave impedance	100 Ω ±15 Ω (at 100 MHz)
Nominal voltage, cable	600 V
Test voltage Core/Core	2000 V (50 Hz, 1 min.)
Test voltage Core/Shield	2000.00 V (50 Hz, 1 min.)
Minimum bending radius, fixed installation	3 x D
Minimum bending radius, flexible installation	7 x D
Smallest bending radius, fixed installation	20 mm
Smallest bending radius, movable installation	46 mm
Flame resistance	according to UL 1685 (CSA FT 4)
Resistance to oil	Resistant to oil to a limited extent
Other resistance	UV resistant (according to UL 1581, Section 1200)
Ambient temperature (operation)	-40 °C ... 70 °C (cable, fixed installation) -40 °C ... 70 °C (Cable, flexible installation)

## EtherCAT® drag chain CAT5 [93H]

Cable weight	61 kg/km
Number of positions	4
Shielded	yes
Cable type	EtherCAT® drag chain CAT5 [93H] EtherCAT® drag chain CAT5 93H
Conductor structure	1x4xAWG22/7, SF/TQ
Signal runtime	5.3 ns/m
Signal speed	0.66 c
Conductor structure signal line	7x 0.25 mm
AWG signal line	22
Conductor cross-section	4x 0.34 mm <sup>2</sup>
Wire diameter incl. insulation	1.5 mm
External cable diameter	6.50 mm ±0.2 mm
Outer sheath, material	PUR
External sheath, color	green RAL 6018
Conductor material	Tin-plated Cu litz wires
Material wire insulation	PE
Single wire, color	white, yellow, blue, orange
Thickness, outer sheath	approx. 0.90 mm
Overall twist	Star quad
Shielding	Aluminum-coated foil, tinned copper braided shield
Optical shield covering	85 %
Insulation resistance	≥ 500 MΩ*km
Coupling resistance	≤ 20.00 mΩ/m (at 10 MHz)
Loop resistance	≤ (per km)
Wave impedance	100 Ω ±15 Ω (at 1 ... 100 MHz)
Nominal voltage, cable	600 V (UL rating)
Test voltage Core/Core	2000 V (50 Hz, 1 min.)

# NBC-FSD-R4AC SCO-EC/.../... - Network cable



1408589

<https://www.phoenixcontact.com/us/products/1408589>

Test voltage Core/Shield	2000.00 V (50 Hz, 1 min.)
Minimum bending radius, fixed installation	5 x D
Minimum bending radius, flexible installation	7.5 x D
Smallest bending radius, fixed installation	33 mm
Smallest bending radius, movable installation	49 mm
Dynamic load capacity (bending)	Max. bending cycles: 3000000, Bending radius: 100 mm, Traversing path: 10 m, Traversing rate: 4 m/s, Acceleration: 4 m/s <sup>2</sup>
Dynamic load capacity (torsion)	Torsion: ±30 °/m
Flame resistance	according to IEC 60332-1-2
Resistance to oil	in accordance with DIN EN 60811-2-1
Other resistance	UV resistant
Special properties	Electrical properties in accordance with EN 50288-2-2
Ambient temperature (operation)	-40 °C ... 70 °C (cable, fixed installation) -40 °C ... 70 °C (Cable, flexible installation)

## Standards and regulations

### M12

Standard designation	M12 connector
Standards/specifications	IEC 61076-2-101

# NBC-FSD-R4AC SCO-EC/.../... - Network cable

1408589

<https://www.phoenixcontact.com/us/products/1408589>

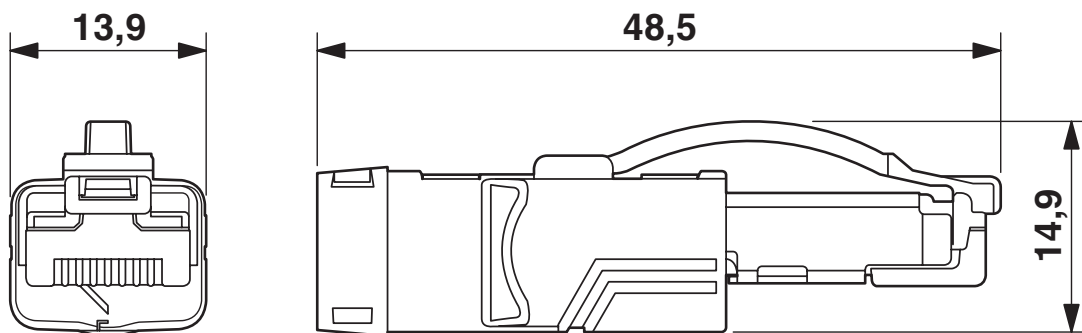
## Drawings

Dimensional drawing



M12 x 1 socket, straight, shielded

Dimensional drawing



RJ45 connector, IP20

1408589

<https://www.phoenixcontact.com/us/products/1408589>

Schematic diagram



Pin assignment M12 socket, 4-pos., D-coded, female side

1408589

<https://www.phoenixcontact.com/us/products/1408589>

Schematic diagram



Connector pin assignment plug RJ45

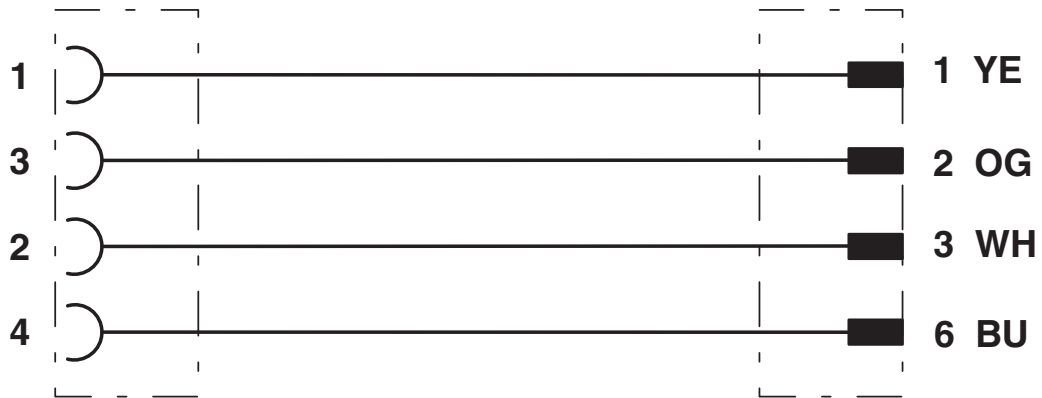
# NBC-FSD-R4AC SCO-EC/.../... - Network cable



1408589

<https://www.phoenixcontact.com/us/products/1408589>

Circuit diagram



Contact assignment of the M12 socket and the RJ45 plug

# NBC-FSD-R4AC SCO-EC/.../... - Network cable



1408589

<https://www.phoenixcontact.com/us/products/1408589>

## Classifications

### ECLASS

ECLASS-13.0	27060307
ECLASS-15.0	27060307

# NBC-FSD-R4AC SCO-EC/.../... - Network cable



1408589

<https://www.phoenixcontact.com/us/products/1408589>

## Environmental product compliance

### EU RoHS

Fulfills EU RoHS substance requirements	Yes, No exemptions
---	--------------------

### China RoHS

Environment friendly use period (EFUP)	EFUP-E
	No hazardous substances above the limits

### EU REACH SVHC

REACH candidate substance (CAS No.)	No substance above 0.1 wt%
-------------------------------------	----------------------------

Phoenix Contact 2026 © - all rights reserved  
<https://www.phoenixcontact.com>

Phoenix Contact USA  
586 Fulling Mill Road  
Middletown, PA 17057, United States  
(+717) 944-1300  
[info@phoenixcon.com](mailto:info@phoenixcon.com)